

SEGA[®]

CHOPLIFTER

INSTRUCTION MANUAL

FOR HORIZONTALLY
MOUNTED MONITOR

SEGA ENTERPRISES, INC.

2149 PARAGON DR. SAN JOSE, CA 95131

(408) 435-0201



CONTENTS

- RECOMMENDED WIRING DIAGRAM
- WIRING ROUTING (MAIN HARNESS)
- WIRING ROUTING (CONTROL PANEL HARNESS)
- OPTION SWITCHES / DC POWER REQUIREMENTS
- KIT CONTENTS

CONVERSION KIT CONTENTS

- PC Board
- Generic Main Wiring Harness
- Control Panel Wiring Harness
- 8 Way Joystick Assembly
- Screws and Nuts for Joystick (4)
- Push Button Assemblies (6)
- Control Panel Overlay
- Monitor Card
- Side Decals (2)
- Plastic Marquee
- Instruction Manual
- License Seal

PREVENTION OF COUNTERFEITING AND CONVERSION

LABELING

To prevent counterfeits and conversions, the following labels are put on all the SEGA products. When handling such goods, be sure to confirm the labels. They are used to prevent illegal acts such as the unauthorized copying of the products and the printed circuit boards thereof or carrying on business by manufacturing similar merchandise or by converting, selling or using such products or printed circuit boards.

ORIGINAL SEAL

The following seal is put on the machines manufactured by SEGA.



LICENSE SEAL

The following seal is put on the kits, such as the printed circuit boards, of SEGA products.



COPYRIGHT NOTICE

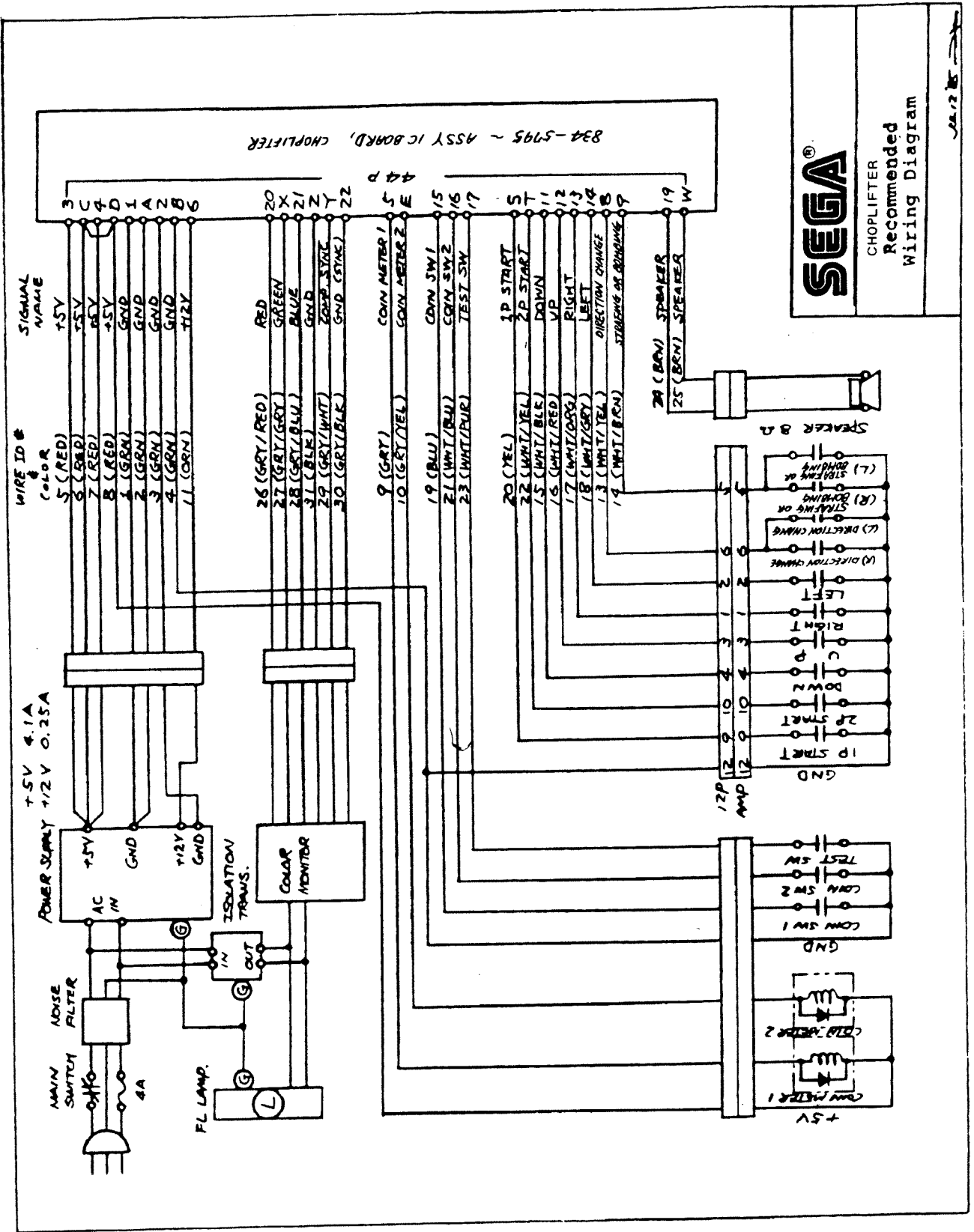
This SEGA product has the copyright notice as follows:

© SEGA 1985

This signifies that this work was disclosed in 1985 and is the property of SEGA ENTERPRISES, LTD.

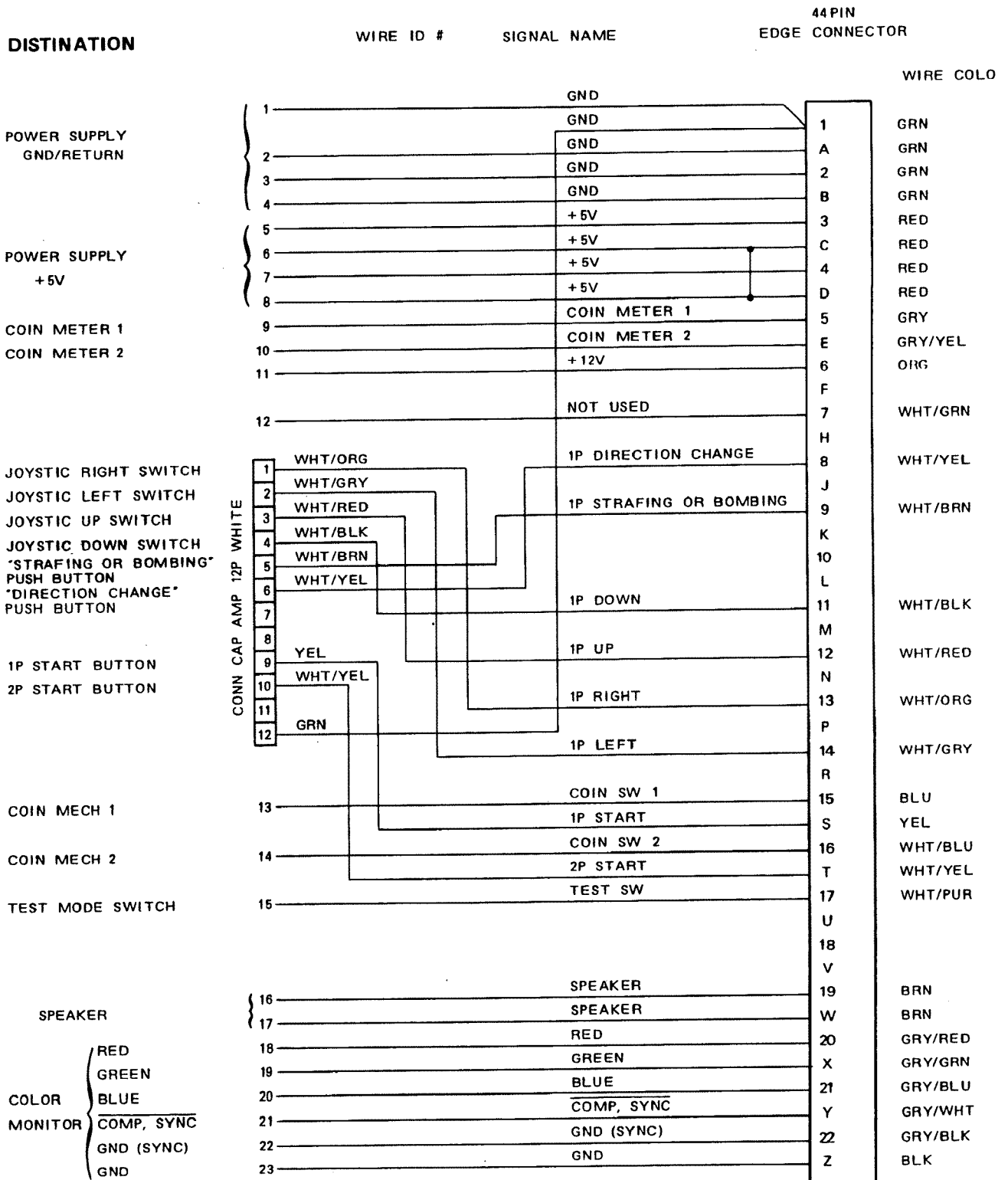
NOTICE WARNING

After installation of this kit , the 5 volt power supply must be checked and adjusted to make certain exactly 5 volts are present at pins 1 & 3 (1 is negative and 3 is positive) of the 44 pin edge connector. The voltage check and adjustment must be done while the PCB is plugged in to the 44 pin connector to supply the proper load. This PCB will not operate properly on voltages below 5 volts as measured at the board.



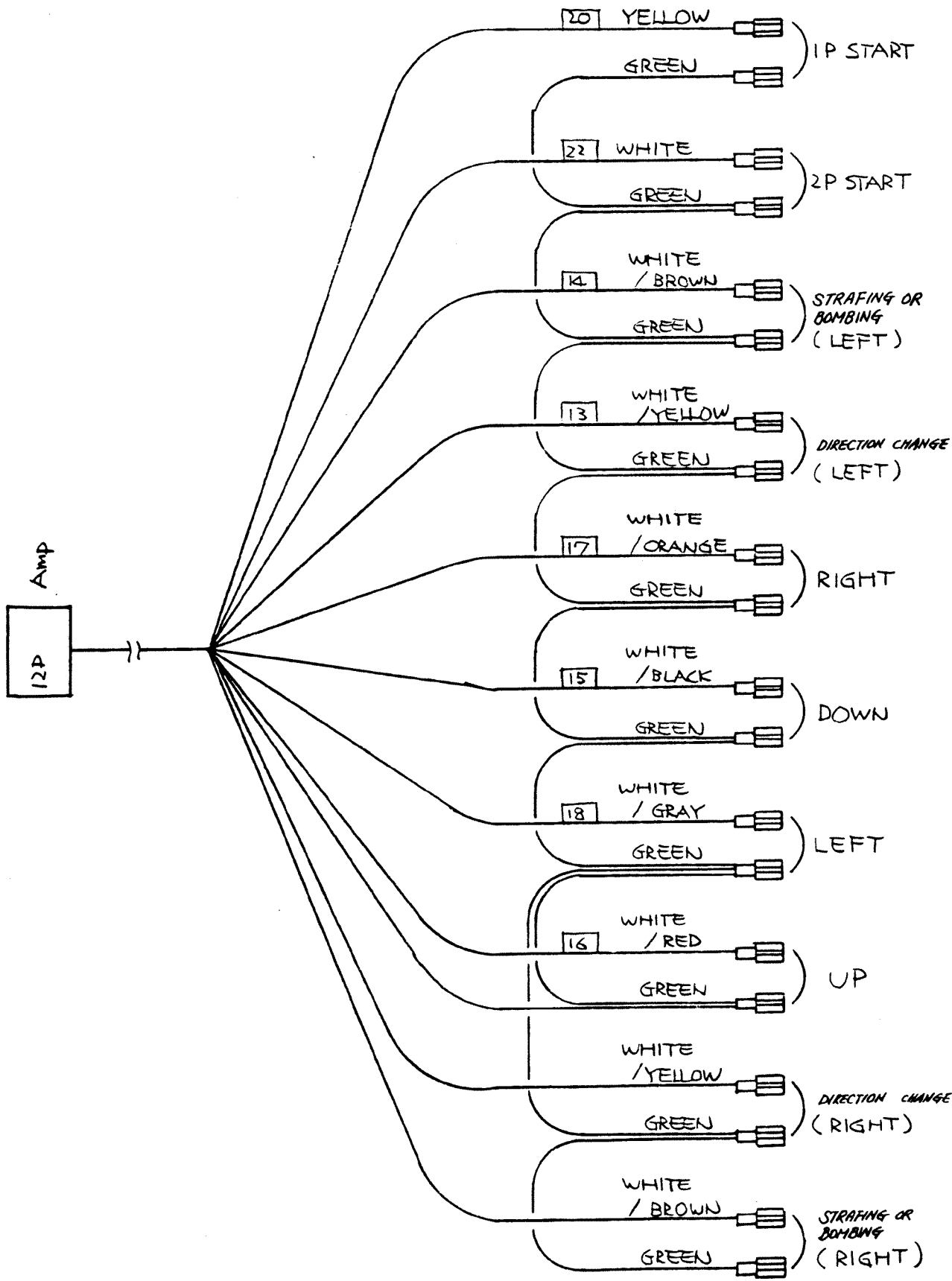
CHOPLIFTER
 Recommended
 Wiring Diagram

04/12/85



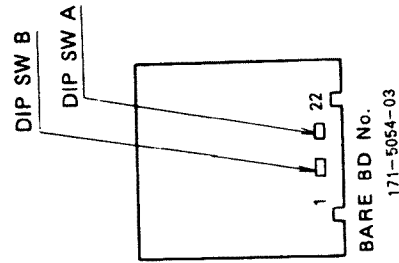
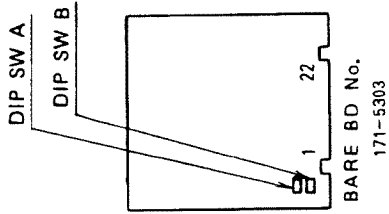
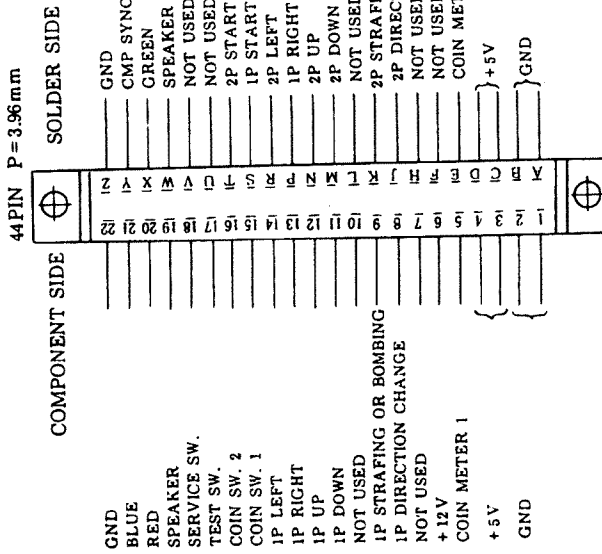
CONN CAP AMP 12P WHITE

CHOPLIFTER WIRE ROUTING



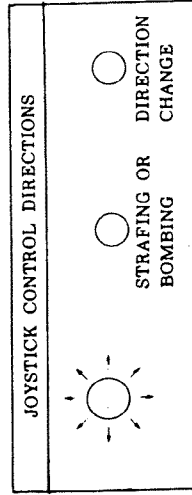
CONTROL PANEL HARNESS

CHOPLIFTER (834 - 5795)

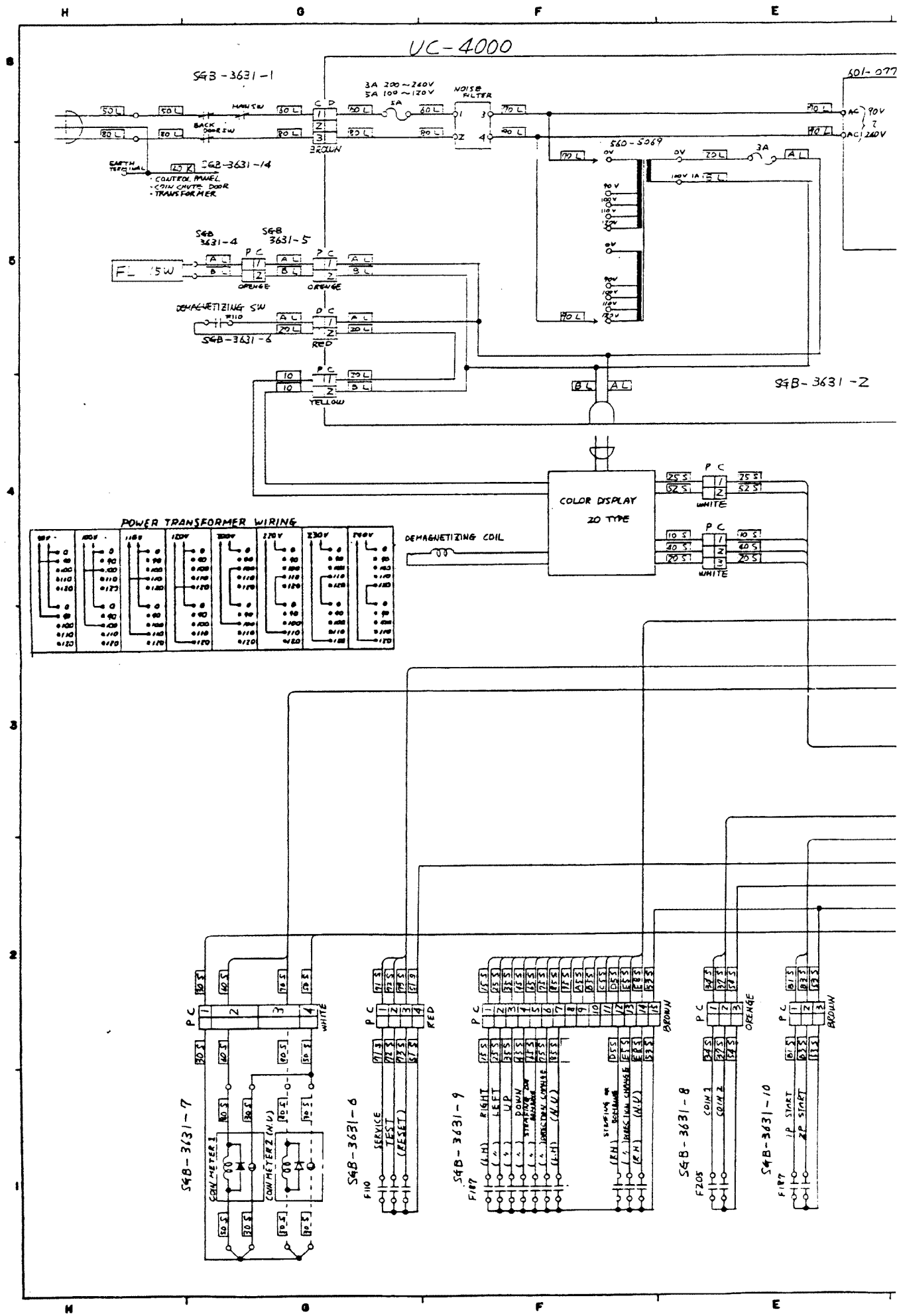


COIN / CREDIT OPTION SWITCH SETTING	DIP SWITCH #A							
	1	2	3	4	5	6	7	8
1 COIN 1 CREDIT	OFF	OFF	OFF	OFF	OFF	OFF	OFF	OFF
1 COIN 2 CREDITS	OFF	ON	OFF	OFF	OFF	OFF	OFF	OFF
1 COIN 3 CREDITS	ON	ON	OFF	OFF	OFF	OFF	OFF	OFF
1 COIN 4 CREDITS	ON	ON	ON	OFF	OFF	OFF	OFF	OFF
1 COIN 5 CREDITS	ON	ON	ON	ON	OFF	OFF	OFF	OFF
1 COIN 6 CREDITS	ON	ON	ON	ON	ON	OFF	OFF	OFF
2 COINS 1 CREDIT	ON	ON	ON	ON	ON	ON	ON	ON
3 COINS 1 CREDIT	ON	ON	ON	ON	ON	ON	ON	ON
4 COINS 1 CREDIT	ON	ON	ON	ON	ON	ON	ON	ON
2 COINS 1 CREDIT	OFF	ON	OFF	ON	OFF	ON	OFF	ON
4 COINS 2 CREDITS	OFF	ON	OFF	ON	OFF	ON	OFF	ON
5 COINS 2 CREDITS	ON	ON	OFF	ON	OFF	ON	OFF	ON
6 COINS 2 CREDITS	ON	ON	ON	ON	ON	ON	ON	ON
2 COINS 1 CREDIT	ON	ON	OFF	ON	ON	ON	OFF	ON
4 COINS 3 CREDITS	OFF	OFF	ON	ON	OFF	OFF	ON	ON
3 COINS 3 CREDITS	OFF	OFF	ON	ON	ON	ON	ON	ON
4 COINS 3 CREDITS	ON	ON	ON	ON	ON	ON	ON	ON
5 COINS 3 CREDITS	ON	ON	ON	ON	ON	ON	ON	ON
1 COIN 1 CREDIT	ON	OFF	ON	ON	ON	ON	ON	ON
2 COINS 2 CREDITS	ON	OFF	ON	ON	ON	ON	ON	ON
3 COINS 3 CREDITS	ON	OFF	ON	ON	ON	ON	ON	ON
4 COINS 4 CREDITS	ON	OFF	ON	ON	ON	ON	ON	ON
5 COINS 5 CREDITS	ON	OFF	ON	ON	ON	ON	ON	ON
1 COIN 1 CREDIT	ON	ON	ON	ON	ON	ON	ON	ON
2 COINS 3 CREDITS	ON	ON	ON	ON	ON	ON	ON	ON
1 COIN 1 CREDIT	ON	ON	ON	ON	ON	ON	ON	ON

OPTION SWITCH SETTING	DIP SWITCH #B							
	1	2	3	4	5	6	7	8
TABLE UPRIGHT	OFF							
ADVERTISE SOUND	OFF	ON						
PLAYER HELICOPTER	3	2	4					
SCORE OF ADDITIONAL PLAYER	20000, 70000	120000, 170000	50000, 100000	150000, 200000				
GAME DIFFICULTY	EASY	HARD						



SUPPLY VOLTAGES & CURRENT	
VOLTAGE	CURRENT
DC 5V	4.5 A
DC 12V	0.25 A



UC-4000

S4B-3631-1

3A 200-240V
5A 100-120V

NOISE FILTER

501-077

S4B-3631-14
CONTROL PANEL
CORN CHUTE DOOR
TRANSFORMER

S4B-3631-4
S4B-3631-5

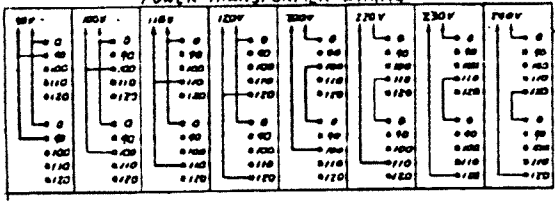
FL 15W

DEMAGNETIZING SW

S4B-3631-6

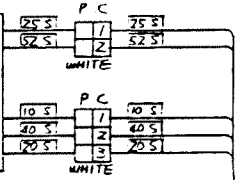
S4B-3631-2

POWER TRANSFORMER WIRING



DEMAGNETIZING COIL

COLOR DISPLAY
20 TYPE



S4B-3631-7

S4B-3631-6

S4B-3631-9

S4B-3631-8

S4B-3631-10

