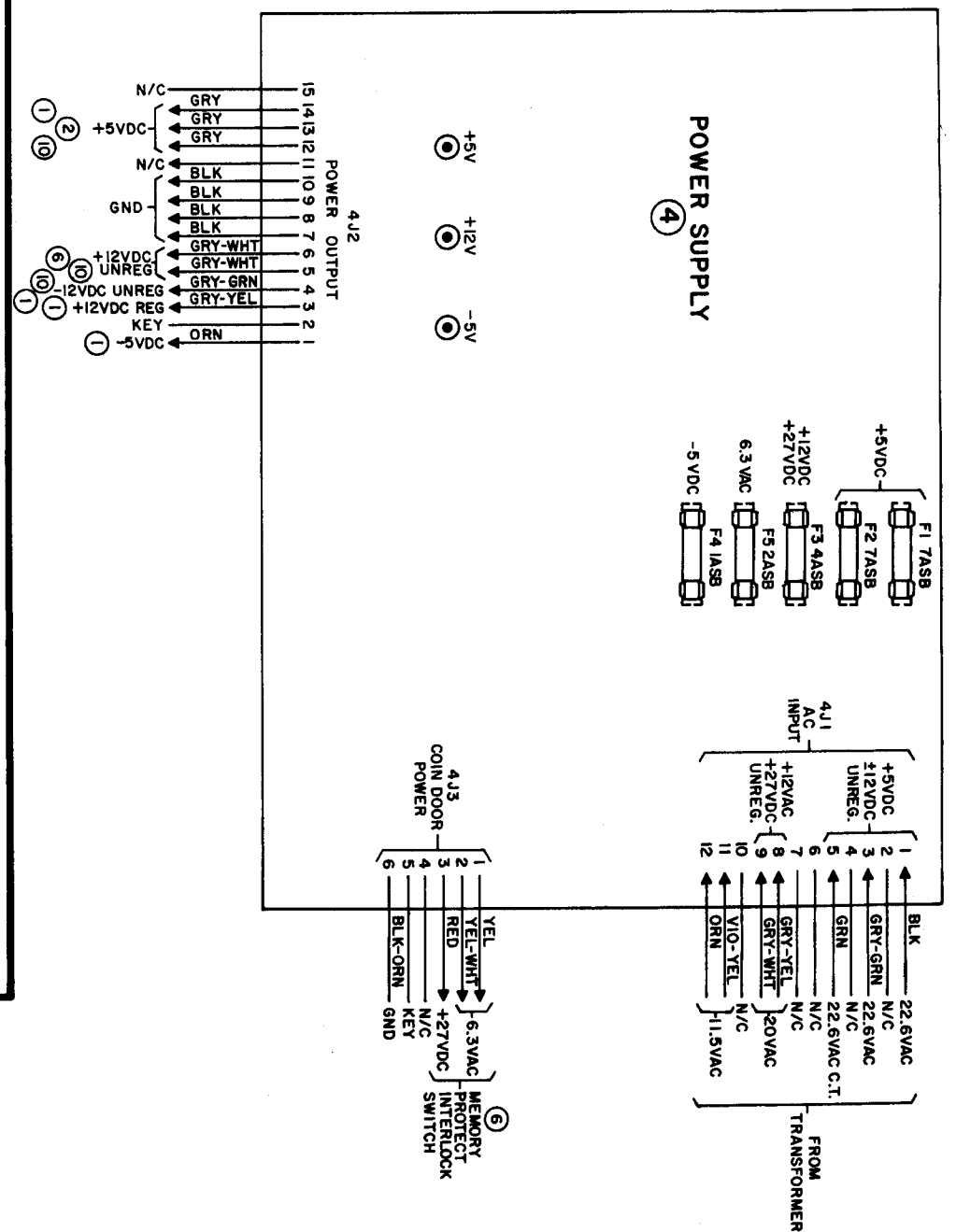
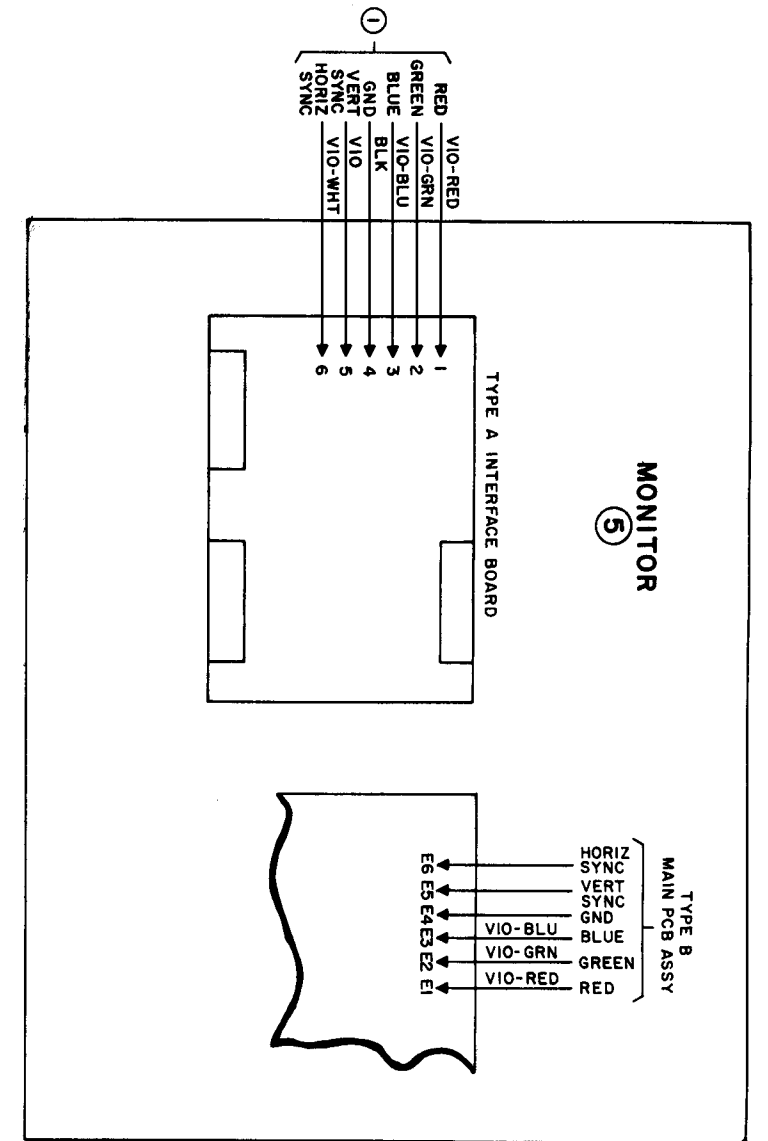


- ①-CPU/VIDEO BOARD
- ②-ROM BOARD
- ③-INTERFACE BOARD
- ④-POWER SUPPLY
- ⑤-MONITOR
- ⑥-COIN DOOR
- ⑦-PLAYER PANEL
- ⑧-HOOD
- ⑨-NOT USED
- ⑩-SOUND BOARD



# INTERBOARD WIRING