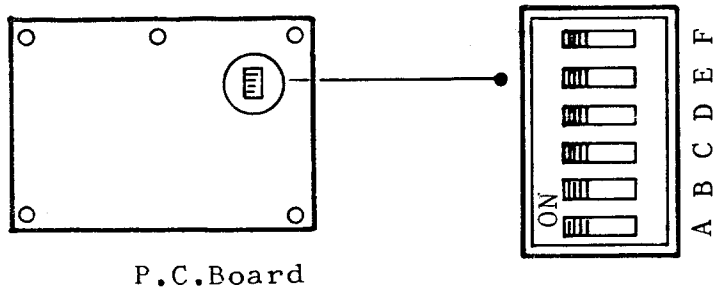


# ADJUSTMENTS

1. Number of space ship, game difficulty, Coinage, score level and type.

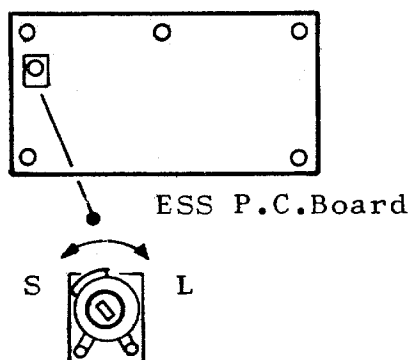


P.C.Board

Operate change-over switch after discontinuing power.

	A	B	C	D	E	F
Number of space ship						
3	ON					
4	OFF					
Game difficulty						
Standard		ON				
Difficult		OFF				
Coinage						
1 coin / 1 play			ON	ON		
2 coins / 1 play			OFF	ON		
1 coin / 2 plays			OFF	OFF		
1 coin / 3 plays			ON	OFF		
Score level for extra space ship						
5,000 points					ON	
8,000 points					OFF	
Table / Up-Right						
Table						ON
Up-Right						OFF

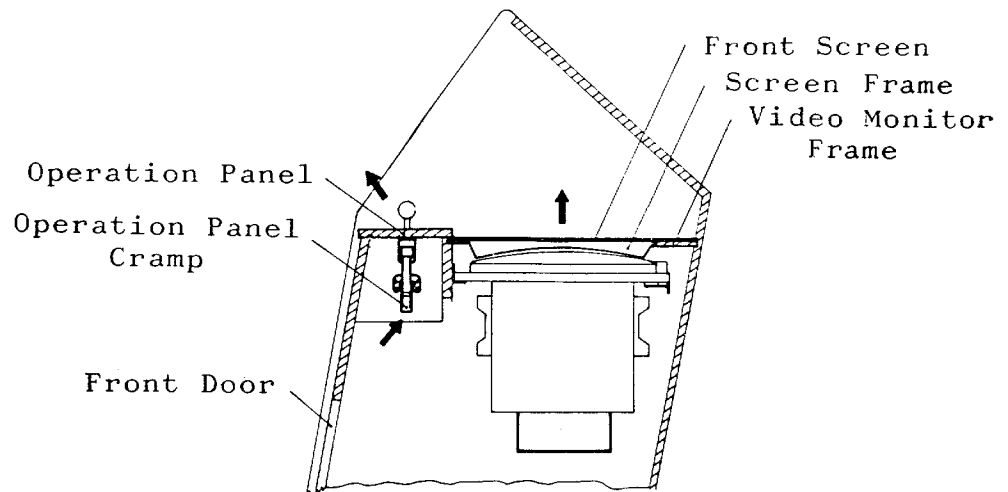
2. Adjustment of sound volume



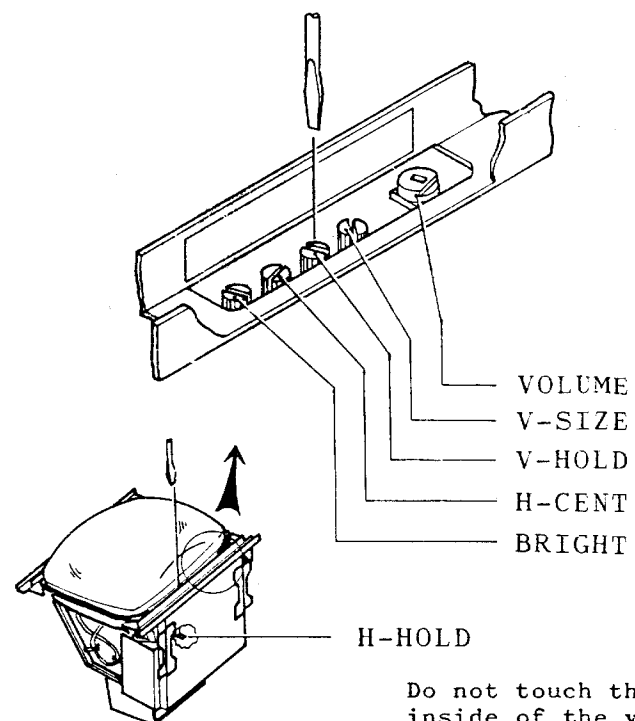
ESS P.C.Board

Sound volume adjustment can also be made on Video Monitor Sound P.C.Board.

3. DISMOUNTING OF FRONT SCREEN AND OPERATION PANEL



To dismount the front screen and the operation panel for maintenance of the control under or adjustment of the video monitor, open the front door and unfasten the operation panel cramp.



Do not touch the inside of the video monitor in which many parts are supplied with high tension.

## CAUTIONS

- (1) Turn the power off before exchanging and removing the P.C.Board and connectors.
- (2) Do not touch IC, LSI and other electronic parts on P.C.Boards. Do not use a tester or the like on them.
- (3) P.C.Board to be stored or transported should be wrapped by a conductive pouch or aluminum foil.
- (4) P.C.Board should not be exposed direct to the sun.
- (5) When soldering, use soldering iron of which end is grounded.