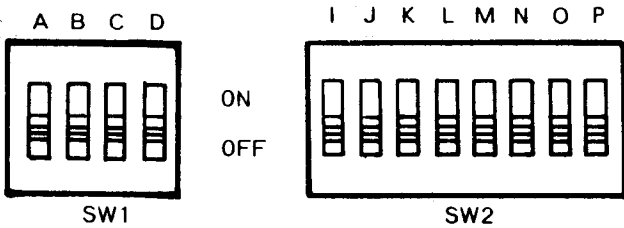
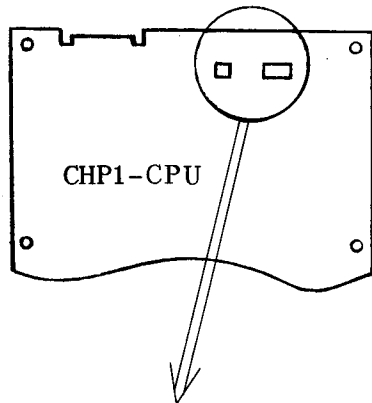


ADJUSTMENTS

CHP1-UP-US

1. Option Switch Settings

You can set Game Price, Game Difficulty, Time, Attract Music, Rematch, and Self-Test on the Game PCB.

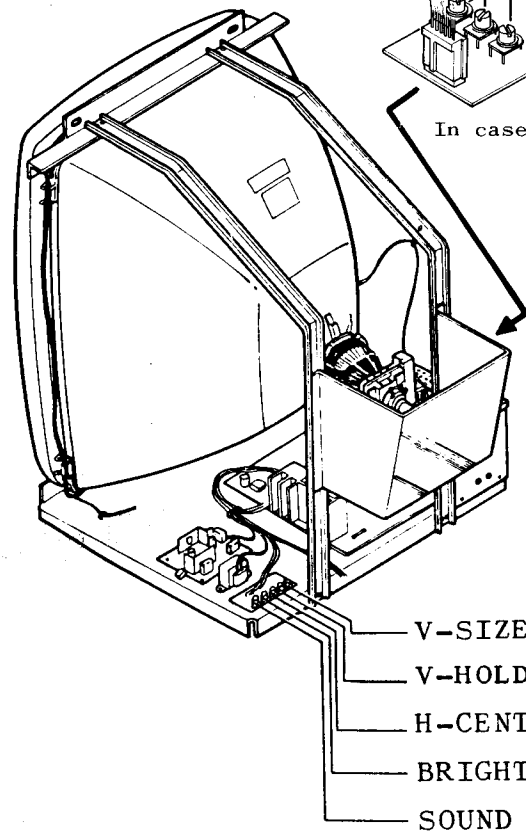
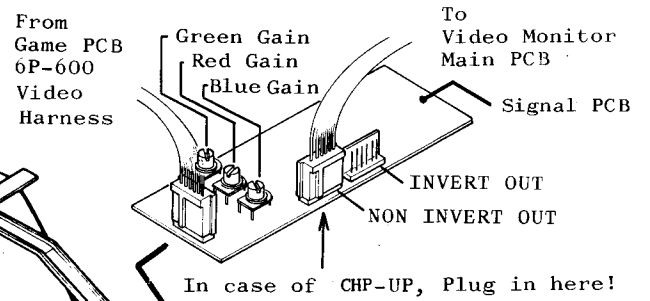
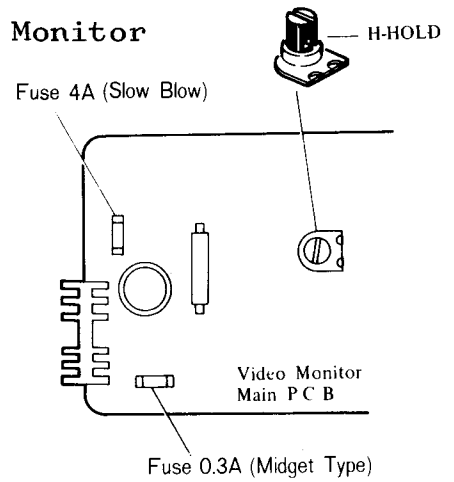


Game Price

| credit/coin | Toggle(SW1) Settings | | | |
|-------------|----------------------|-----|-----|-----|
| | A | B | C | D |
| 1/3 | OFF | OFF | ON | ON |
| 1/2 | ON | OFF | OFF | OFF |
| 1/1 | OFF | OFF | OFF | OFF |
| 2/1 | OFF | ON | OFF | OFF |
| 3/1 | ON | OFF | ON | OFF |
| 4/1 | OFF | ON | ON | OFF |
| 5/1 | OFF | ON | OFF | ON |
| 6/1 | ON | ON | ON | OFF |
| Freeplay | ON | ON | ON | ON |

| | | Toggle (SW2) Settings | | | | | | | |
|------------------------------|-----|-----------------------|-----|-----|-----|-----|-----|---|-----|
| | | I | J | K | L | M | N | O | P |
| Game Difficulty | | | | | | | | | |
| Easy | (0) | OFF | OFF | | | | | | |
| ↓ | (1) | ON | OFF | | | | | | |
| | (2) | OFF | ON | | | | | | |
| Hard | (3) | ON | ON | | | | | | |
| Time | | | | | | | | | |
| Long | (0) | | | OFF | OFF | | | | |
| ↓ | (1) | | | ON | OFF | | | | |
| | (2) | | | OFF | ON | | | | |
| Short | (3) | | | ON | ON | | | | |
| Attract Music | | | | | | | | | |
| Silent | (0) | | | | | OFF | | | |
| With Music | (1) | | | | | ON | | | |
| Rematch at a discount | | | | | | | | | |
| No | (0) | | | | | | OFF | | |
| Yes | (1) | | | | | | ON | | |
| Self-Test/Game | | | | | | | | | |
| Game | (0) | | | | | | | | OFF |
| Self-Test | (1) | | | | | | | | ON |

2. Video Monitor



In case of CHP-UP, Plug in here!
This Signal PCB is only attached to TPPU-20-00 :Video Monitor [32Type] 20-EZV(R-C).

Do not touch the inside of the Video Monitor in which many parts are supplied with high voltage.

CAUTIONS

- (1) Turn the power off before exchanging and removing the PCB and connectors.
- (2) Do not touch IC, LSI and other electronic parts on PCB. Do not use a tester or the like on them.
- (3) PCB to be stored or transported should be wrapped by a conductive pouch or aluminum foil.
- (4) PCB should not be exposed direct to the sun.
- (5) When soldering, use soldering iron of which end is grounded.