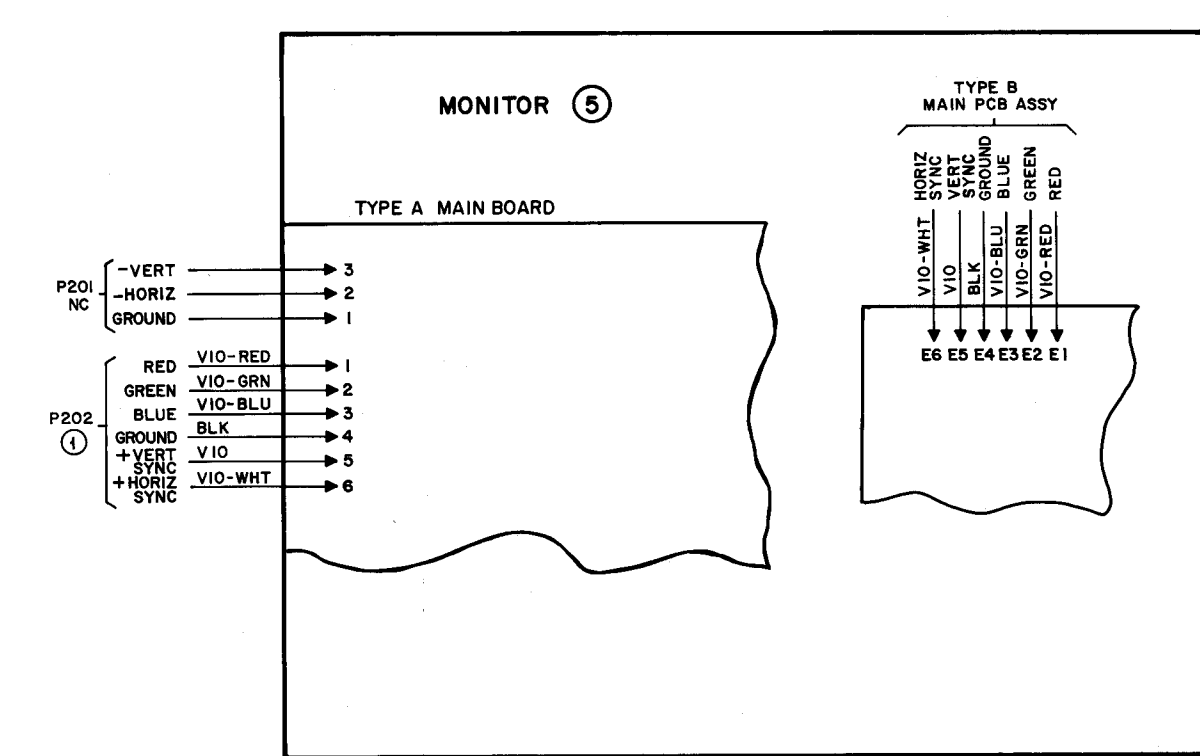
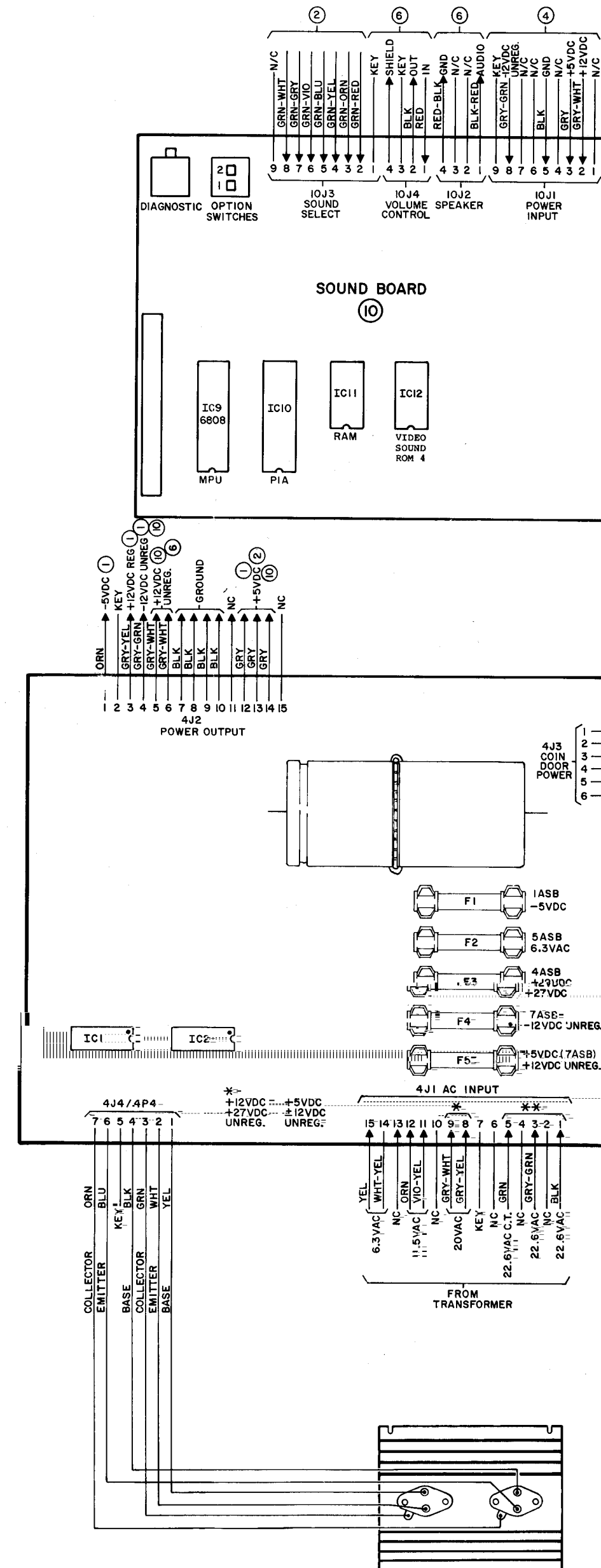
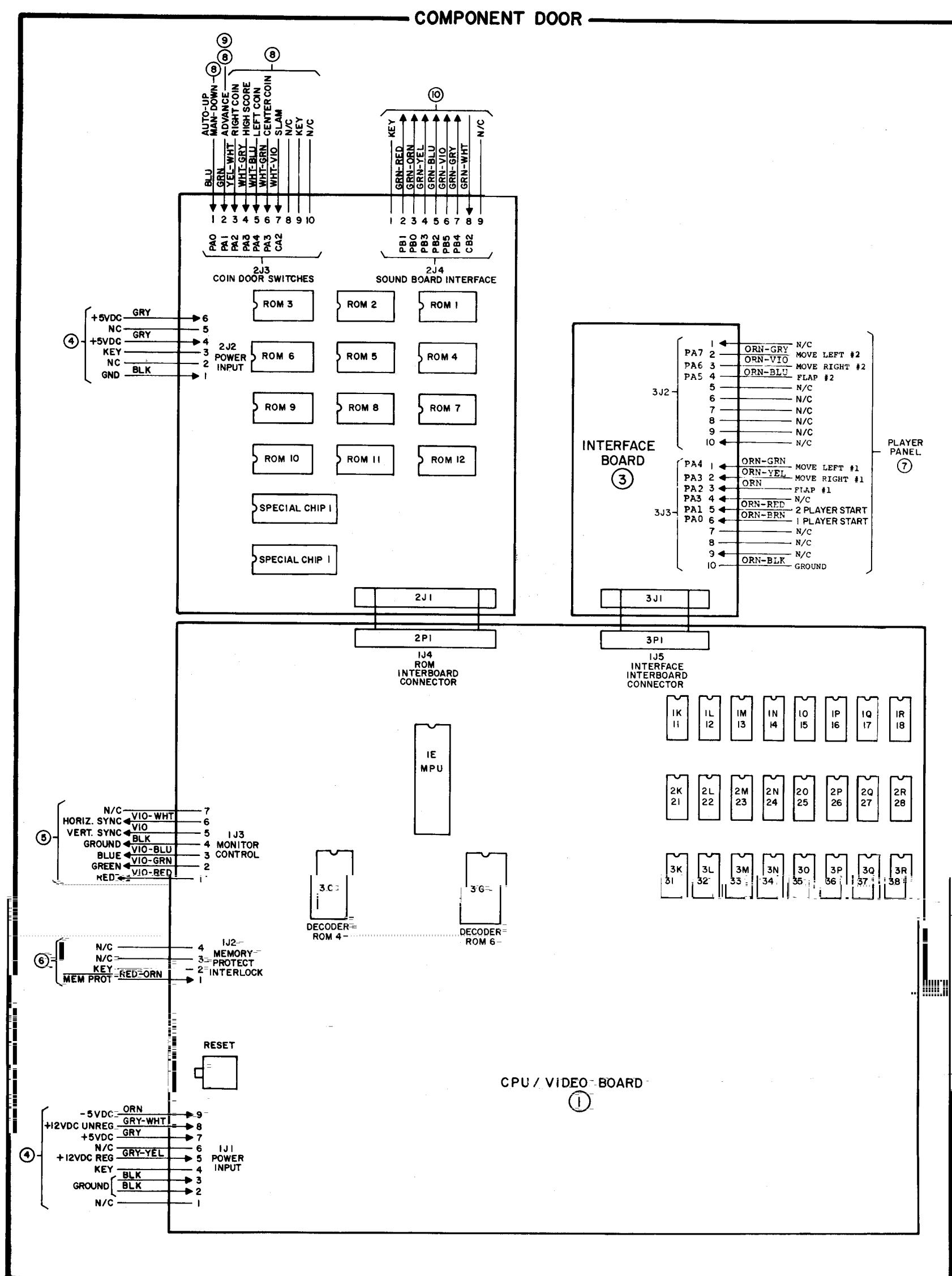
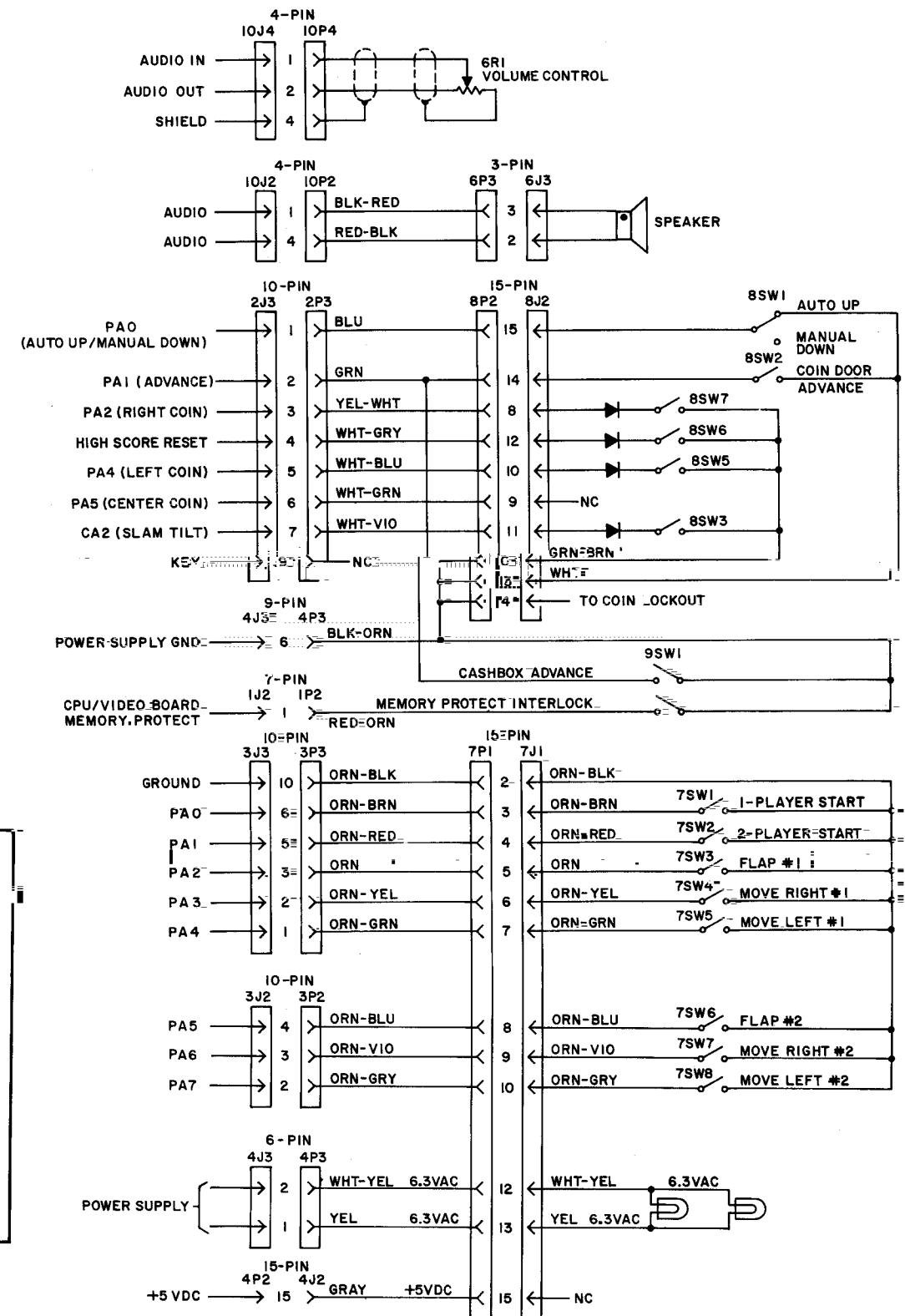


INTERBOARD WIRING



CABINET WIRING



- ① CPU/VIDEO BOARD
- ② ROM BOARD
- ③ INTERFACE BOARD
- ④ POWER SUPPLY
- ⑤ MONITOR
- ⑥ CABINET
- ⑦ PLAYER PANEL
- ⑧ COIN DOOR
- ⑨ CASH BOX
- ⑩ SOUND BOARD

NOTES:

1. For 105 or 115 V. A.C., 3A fuse & 130 V varistor 5017-09044 are used.
2. For 210 or 235 V.A.C., 1A fuse & 275V varistor 5017-09063 are used.
3. Jumper wires on 6PI shown with solid lines are connected for 117 V.A.C. operation. Only the one shown with a dashed line is connected for 220 V.A.C. operation.
4. For low-line conditions (105 or 210 V.A.C.) move WHT-RED wire from 6T1-3 to 6T1-2 & move WHT-RED & WHT-BLU wires from 6T1-7 to 6T1-6
5. For high line conditions (135 or 240 VAC) move WHT-RED wire from 6T1-3 to 6T1-4 and move WHT-RED & WHT-BLU wires from 6T1-7 to 6T1-8

POWER WIRING

