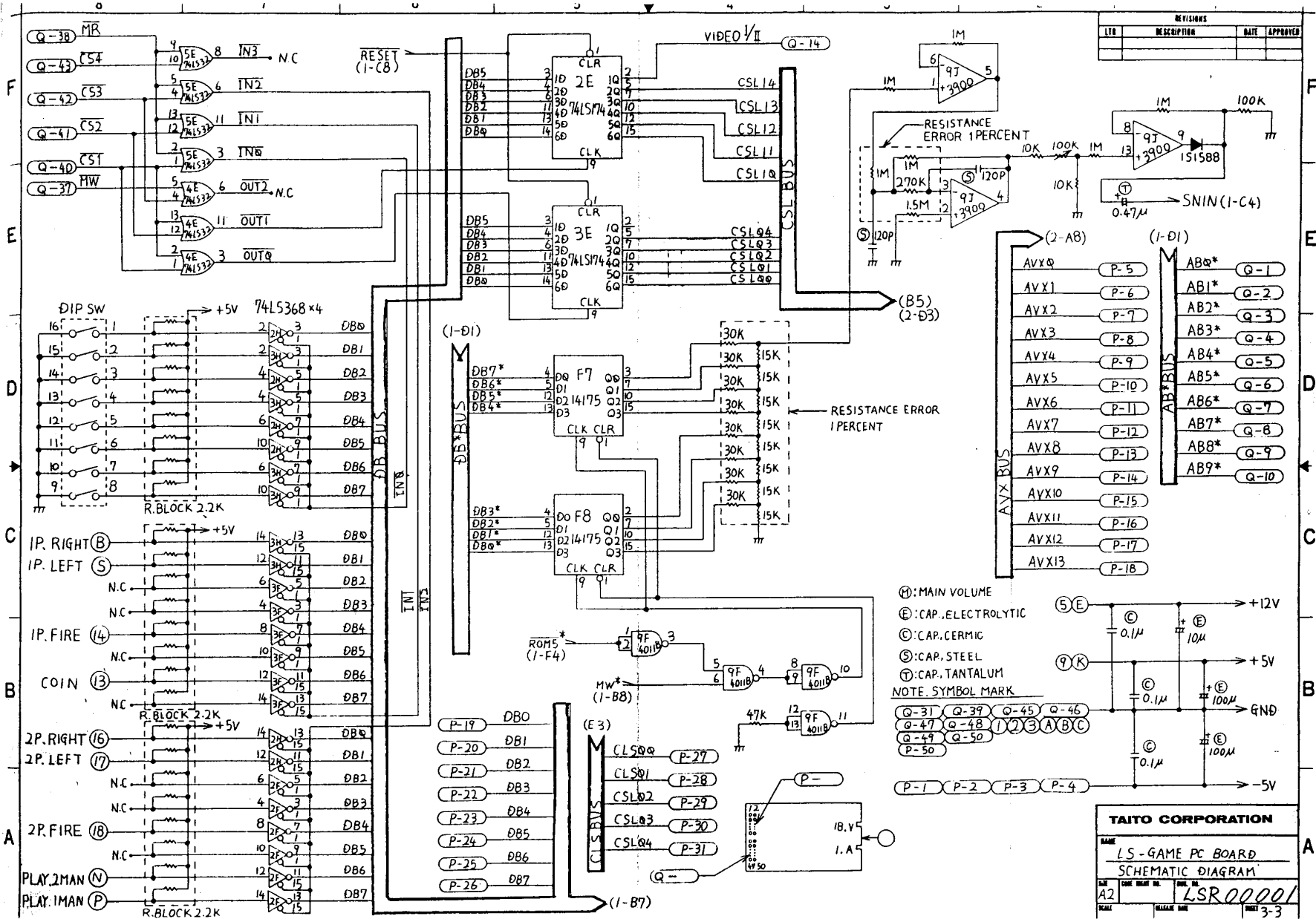


REVISIONS		
NO.	DESCRIPTION	DATE

NOTE
RAM 4116(C1~D4)
ARE PIN1: -5V
9: +5V
8: +12V
16: GND

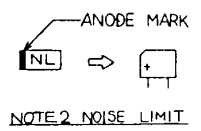
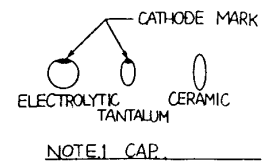
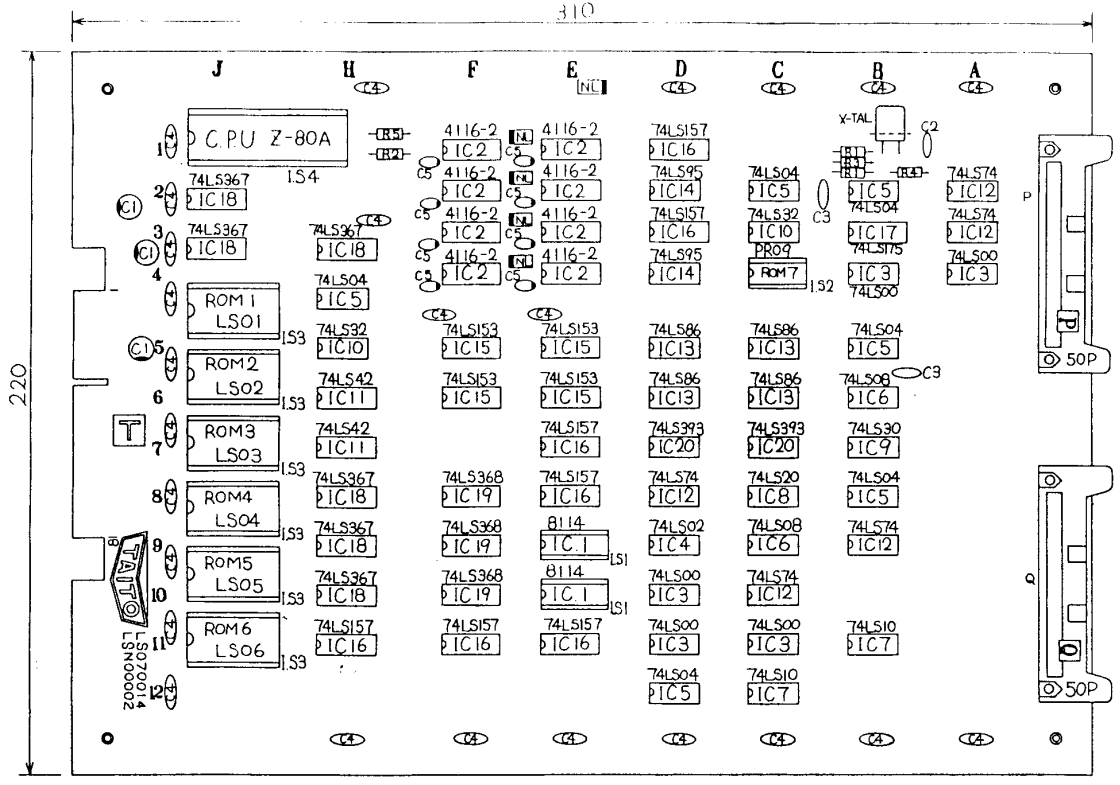
TAITO CORPORATION			
NAME			
LS-GAME P.C. BOARD			
SCHEMATIC DIAGRAM			
DATE	SCALE	DESIGNER	NO.
A2	A2	LSR00001	
SCALE	RELEASE DATE	PAGE 3-2	



REVISIONS			
LTN	DESCRIPTION	DATE	APPROVED

TAITO CORPORATION	
NAME LS - GAME PC BOARD	
SCHEMATIC DIAGRAM	
DATE A2	SCALE LSR00001
DESIGNER	DATE
ILLUSTRATOR	DATE
PAGE 3-3	

REV	DESCRIPTION	DATE	APPROVED



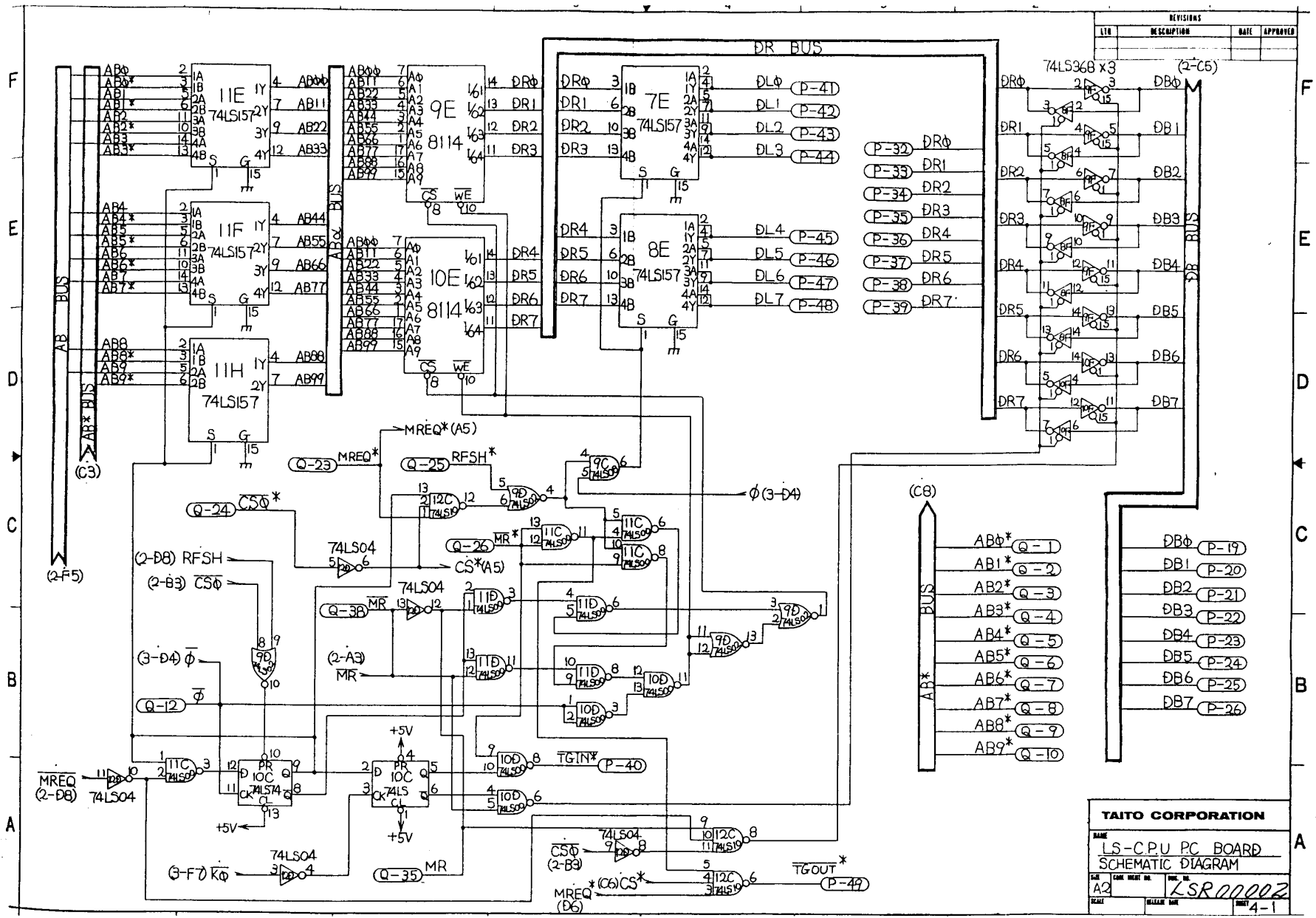
NOTE 3. IC 74LS30, 74LS32, 74LS367, LS-TYPE IC'S ARE USED, BUT THEY CAN BE REPLACED WITH THE STANDARD-TYPE IC'S.

USING LANGUAGE	ADDRESS NO.	ROM NO.	ROM PARTS NO.
ENGLISH	910J	LS05	LS090005
SPANISH	910J	LS11	LS090012

NOTE 4. X MARK ROM CONVERSION FOR FOREIGN LANGUAGES

REV	DESCRIPTION	DATE	APPROVED
76			
75			
74			
73			
72			
71			
70			
69			
68			
67			
66			
65			
64			
63			
62			
61			
60			
59			
58			
57			
56			
55			
54			
53			
52			
51			
50			
49	NL AATC 019	NOISE LIMIT CS9E-W3R000-481	5
48	RS 5 1789	RES. CARBON 10% 1/4W 15%	5
47	B3 1759	RES. CARBON 10% 1/4W 15%	5
46	B2 1753	RES. CARBON 10% 1/4W 15%	5
45	B1 1749	RES. CARBON 10% 1/4W 15%	5
44	C 2 4 236	CAP. TANTALUM 100UF 50V 5%	2
43	C 3 4 134	CAP. CERAMIC 100PF 50V 5%	2
42	C 2 4 134	CAP. CERAMIC 100PF 50V 5%	2
41	C 2 4 134	CAP. CERAMIC 100PF 50V 5%	2
40	C 2 4 134	CAP. CERAMIC 100PF 50V 5%	2
39	IC AA 4 1041	CAP. ELECTROLYTIC 35V 10 3	3
38	REF LS090007	P-ROM (7052) PRO7	1
37	REF LS090007	P-ROM (7052) PRO7	1
36	REF 900005	P-ROM (7052) PRO7	1
35	REF 900004	P-ROM (7052) PRO7	1
34	REF 900003	P-ROM (7052) PRO7	1
33	REF 900002	P-ROM (7052) PRO7	1
32	REF LS090001	P-ROM (2716) 301	1
31	PU AA 3 2008	CPU Z-80A	1
30	DO 1 220	LS IC 74LS374	4
29	LS 1 204	LS IC 74LS367	4
28	LS 1 203	LS IC 74LS367	4
27	LS 1 128	LS IC 74LS367	4
26	LS 1 112	(FUTUS) 74LS157	1
25	LS 1 108	74LS153	4
24	LS 1 106	74LS153	4
23	LS 1 105	74LS153	4
22	LS 1 104	74LS153	4
21	LS 1 103	74LS153	4
20	LS 1 102	74LS32 (7432)	2
19	LS 1 101	74LS30 (7430)	2
18	LS 1 100	74LS10	2
17	LS 1 99	74LS10	2
16	LS 1 98	74LS10	2
15	LS 1 97	74LS10	2
14	LS 1 96	74LS10	2
13	LS 1 95	74LS10	2
12	LS 1 94	74LS10	2
11	LS 1 93	74LS10	2
10	LS 1 92	74LS10	2
9	LS 1 91	74LS10	2
8	LS 1 90	74LS10	2
7	LS 1 89	74LS10	2
6	LS 1 88	74LS10	2
5	LS 1 87	74LS10	2
4	LS 1 86	74LS10	2
3	LS 1 85	74LS10	2
2	LS 1 84	74LS10	2
1	LS070014	LS-CPU PC BOARD	1

TAITO CORPORATION
LS-CPU PC BOARD Assy
REV. 1.0
LS-100007



REVISIONS			
LINE	DESCRIPTION	DATE	APPROVED

- (P-32) DR0
- (P-33) DR1
- (P-34) DR2
- (P-35) DR3
- (P-36) DR4
- (P-37) DR5
- (P-38) DR6
- (P-39) DR7

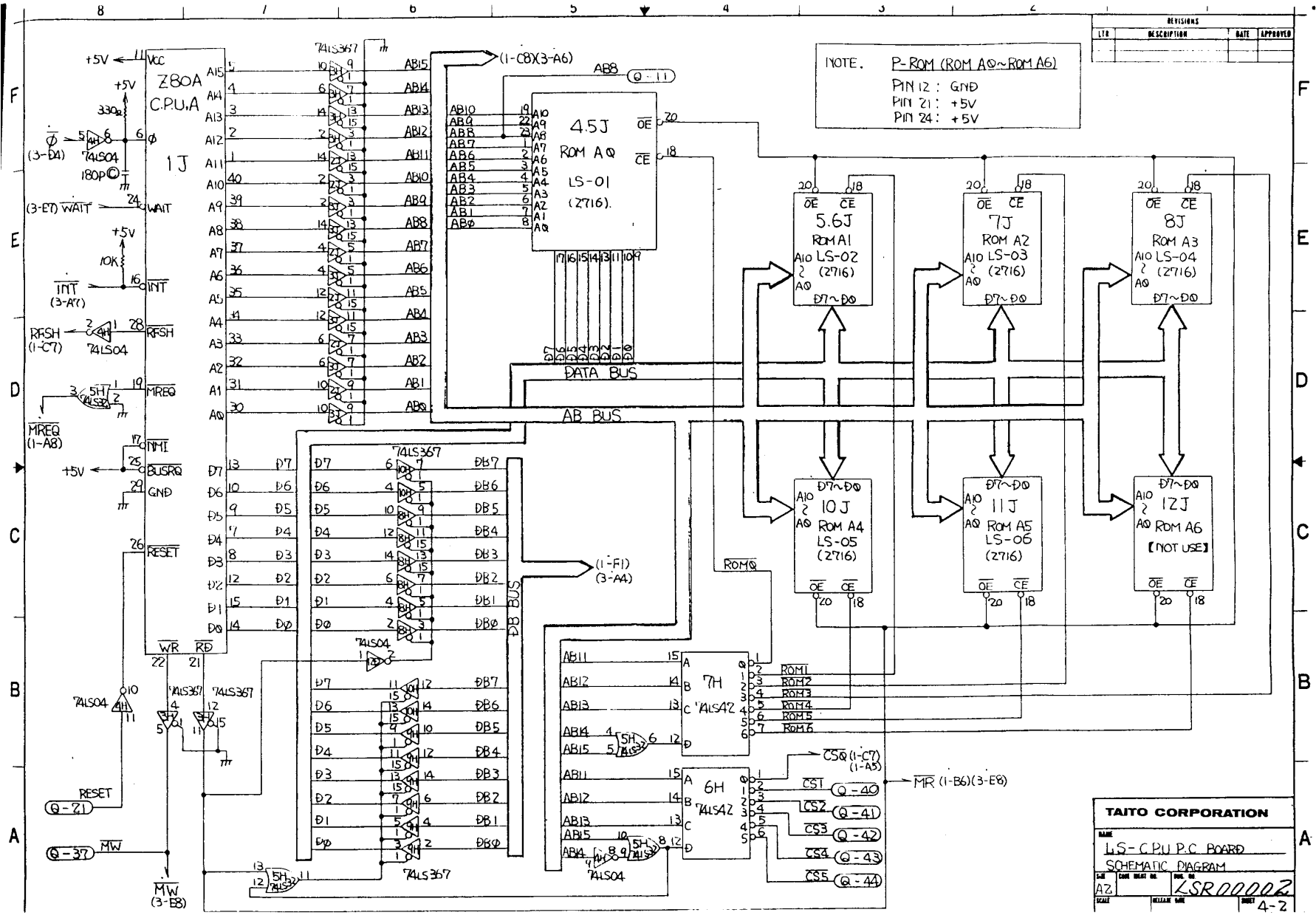
- AB0* Q-1
- AB1* Q-2
- AB2* Q-3
- AB3* Q-4
- AB4* Q-5
- AB5* Q-6
- AB6* Q-7
- AB7* Q-8
- AB8* Q-9
- AB9* Q-10

- DB0 (P-19)
- DB1 (P-20)
- DB2 (P-21)
- DB3 (P-22)
- DB4 (P-23)
- DB5 (P-24)
- DB6 (P-25)
- DB7 (P-26)

TAITO CORPORATION

NAME: LS-CPU PC BOARD
 SCHEMATIC DIAGRAM

DATE: A2
 DRAWING NO: LSR00002
 SHEET NO: 4-1



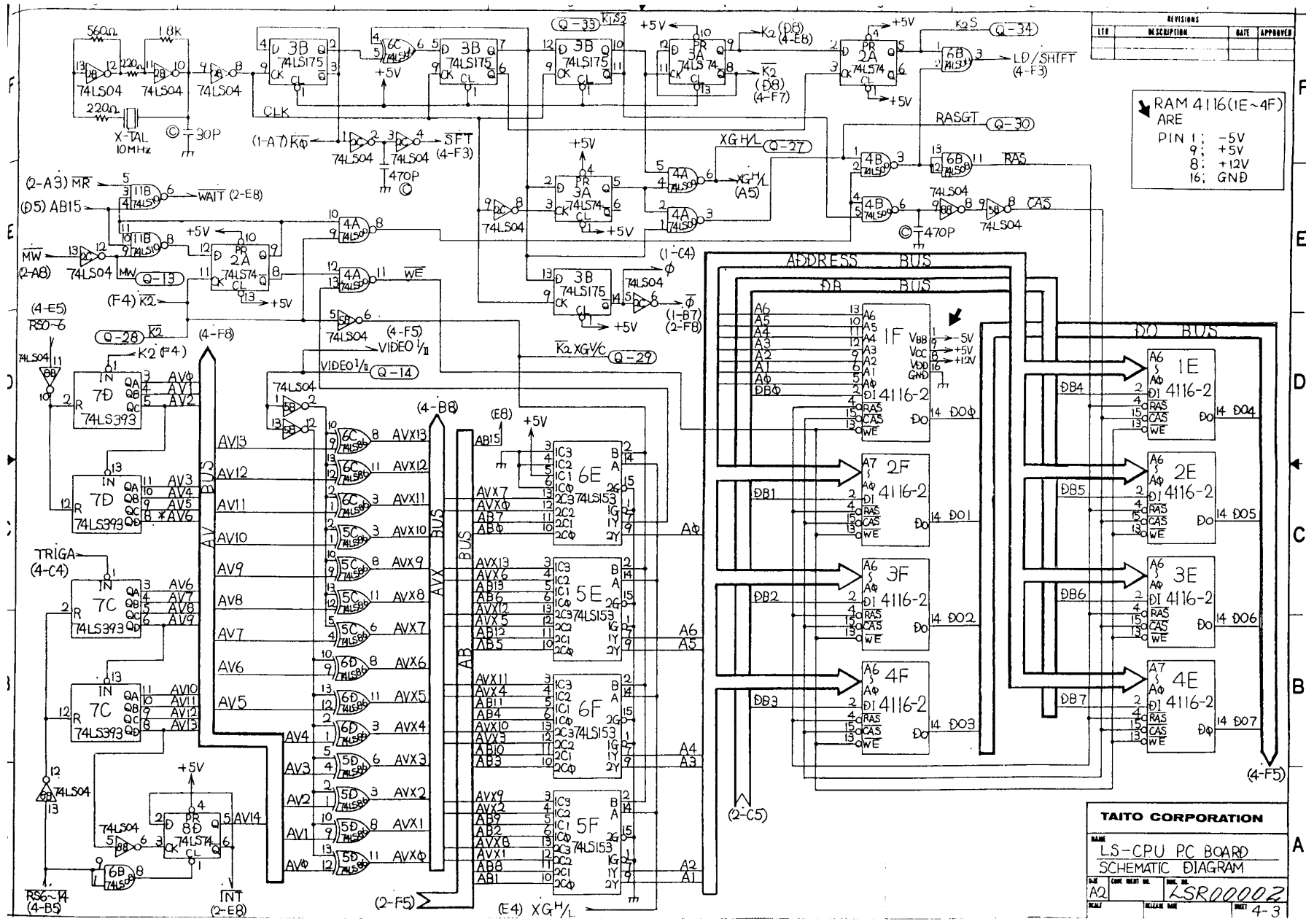
NOTE. P-ROM (ROM A0~ROM A6)
 PIN 12: GND
 PIN 21: +5V
 PIN 24: +5V

REVISIONS			
LTG	DESCRIPTION	DATE	APPROVED

TAITO CORPORATION

NAME: LS-CPU P.C. BOARD
 SCHEMATIC DIAGRAM

DATE: 8/8/82
 DRAWN BY: LSR00002
 SCALE: 1:1
 SHEET NO: 4-2

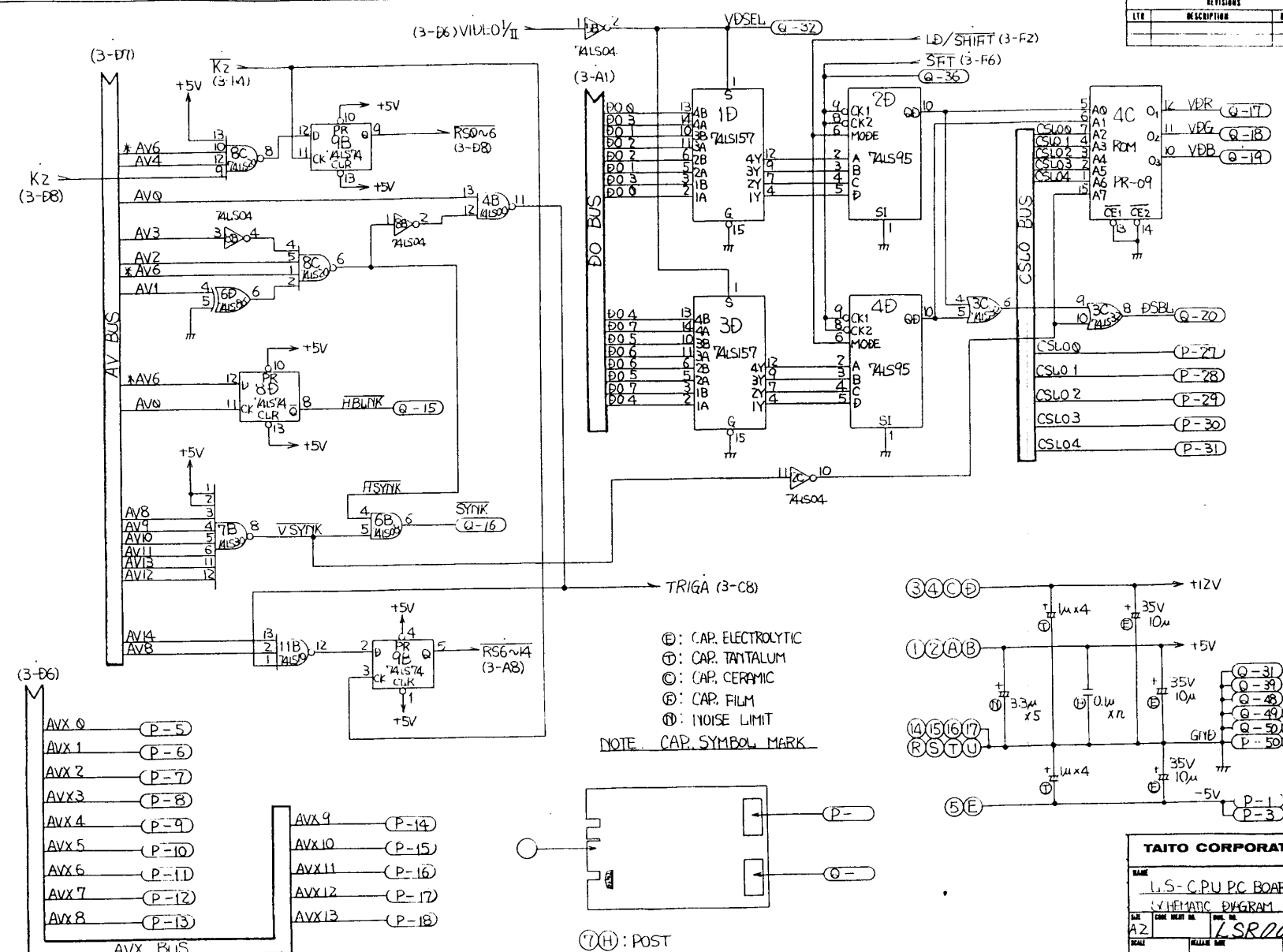


REVISIONS			
REV	DESCRIPTION	DATE	APPROVED

RAM 4116(1E~4F)
ARE
PIN 1: -5V
9: +5V
8: +12V
16: GND

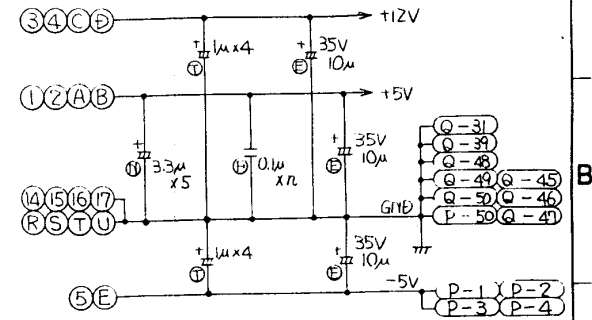
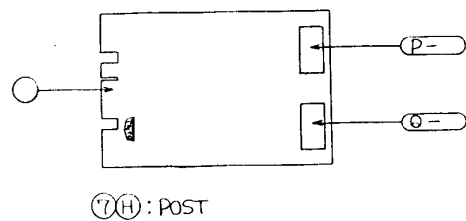
TAITO CORPORATION			
MAIN LS-CPU PC BOARD SCHEMATIC DIAGRAM			
DATE A2	DATE REPT. OR 	WORK. NO. LSR00002	REV.
SCALE 	RELEASE DATE 	PAGE 4-3	

REVISIONS			
LT#	DESCRIPTION	DATE	APPROVED



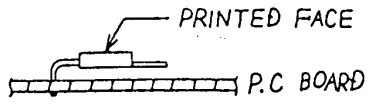
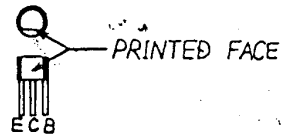
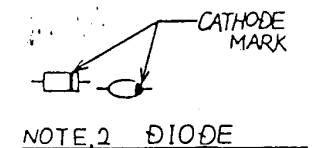
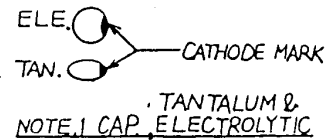
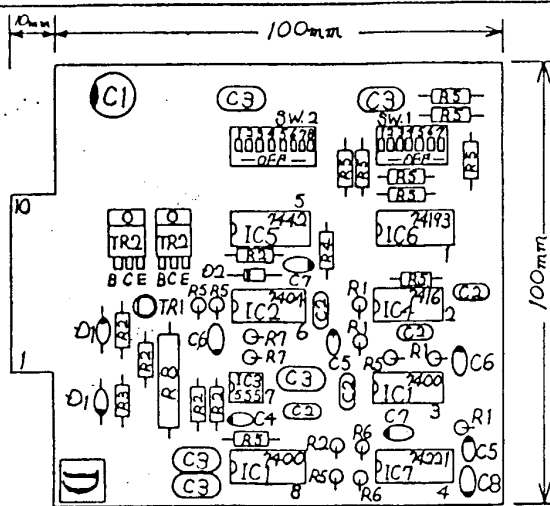
- ⊕: CAP. ELECTROLYTIC
- ⊗: CAP. TANTALUM
- ⊙: CAP. CERAMIC
- ⊖: CAP. FILM
- ⊖: NOISE LIMIT

NOTE. CAP. SYMBOL MARK



AVX 0	P-5	AVX 9	P-14
AVX 1	P-6	AVX 10	P-15
AVX 2	P-7	AVX 11	P-16
AVX 3	P-8	AVX 12	P-17
AVX 4	P-9	AVX 13	P-18
AVX 5	P-10		
AVX 6	P-11		
AVX 7	P-12		
AVX 8	P-13		

TAITO CORPORATION			
NAME	L.S. CPU PC BOARD		
SYN	SYNEMATIC DIAGRAM		
DATE	REV. NO.	REV. NO.	REV. NO.
AZ	LSR00002		
SCALE			4-1



NOTE.3 TRANSISTOR(2SC458)

NOTE.4 TRANSISTOR(2SC1061)

NOTE.5 THE RELATION BETWEEN COIN AND CREDIT

	SW1							SW2							
	1	2	3	4	5	6	7	1	2	3	4	5	6	7	8
1COIN 1PLAY	ON	ON	ON	ON	ON	OFF	OFF	ON	OFF	OFF	OFF	OFF	OFF	ON	OFF
2COIN 1PLAY	⊘	⊘	⊘	⊘	⊘	⊘	⊘	OFF	ON	OFF	⊘	⊘	⊘	⊘	⊘
3COIN 1PLAY	⊘	⊘	⊘	⊘	⊘	⊘	⊘	⊘	OFF	ON	⊘	⊘	⊘	⊘	⊘
4COIN 1PLAY	⊘	⊘	⊘	⊘	⊘	⊘	⊘	⊘	OFF	OFF	ON	⊘	⊘	⊘	⊘
1COIN 2PLAY	ON	OFF	OFF	OFF	OFF	ON	ON	OFF	OFF	OFF	OFF	OFF	OFF	OFF	ON
2COIN 2PLAY	OFF	ON	⊘	⊘	⊘	⊘	⊘	⊘	⊘	⊘	⊘	⊘	⊘	⊘	⊘
3COIN 2PLAY	ON	ON	⊘	⊘	⊘	⊘	⊘	⊘	⊘	⊘	⊘	⊘	⊘	⊘	⊘
4COIN 2PLAY	ON	ON	⊘	⊘	⊘	⊘	⊘	⊘	⊘	⊘	⊘	⊘	⊘	⊘	⊘

REVISIONS			
LTR	DESCRIPTION	DATE	APPROVED

31	R8	AAT55033	WINDING RESISTOR, 60HM 2W±10%	1
30	R7	51831	RES. CARBON, 560KOHM 1/4W±5%	2
29	R6	51803	⊘	2
28	R5	51789	⊘	13
27	R4	51781	⊘	1
26	R3	51777	⊘	1
25	R2	51765	⊘	6
24	R1	51741	RES. CARBON, 100OHM 1/4W±5%	4
23	C8	41438	CAP. TANTALUM, SSG35-3R3F	1
22	C7	41421	⊘	2
21	C6	41419	⊘	2
20	C5	41418	⊘	2
19	C4	41414	CAP. TANTALUM, SSG16-OR22F	1
18	C3	41244	CAP. FILM, TDY-1H-104	5
17	C2	41238	CAP. FILM, TDY-1H-103	5
16	C1	41021	CAP. ELECTROLYTIC, 16VB47M	1
15	IC7	32077	TTL IC, 74221	1
14	IC6	32044	⊘	1
13	IC5	32039	⊘	1
12	IC4	32033	⊘	1
11	IC3	32019	⊘	1
10	IC2	32003	⊘	1
9	IC1	32001	TTL IC, 7400	2
8	D2	12025	DIODE, 1S1588	1
7	D1	12002	DIODE, VO3C	2
6	TR2	V 11030	TRANSISTOR, 2SC1061-B	2
5	TR1	AAT11005	TRANSISTOR, 2SC458-C	1
4	SW2	AAO52566	DIP SWITCH, DSS-8	1
3	SW1	52560	DIP SWITCH, DSS-7	1
2	D	17623	CONNECTOR STICKER, D	1
1		AAO17766D	CREDIT P.C BOARD	1

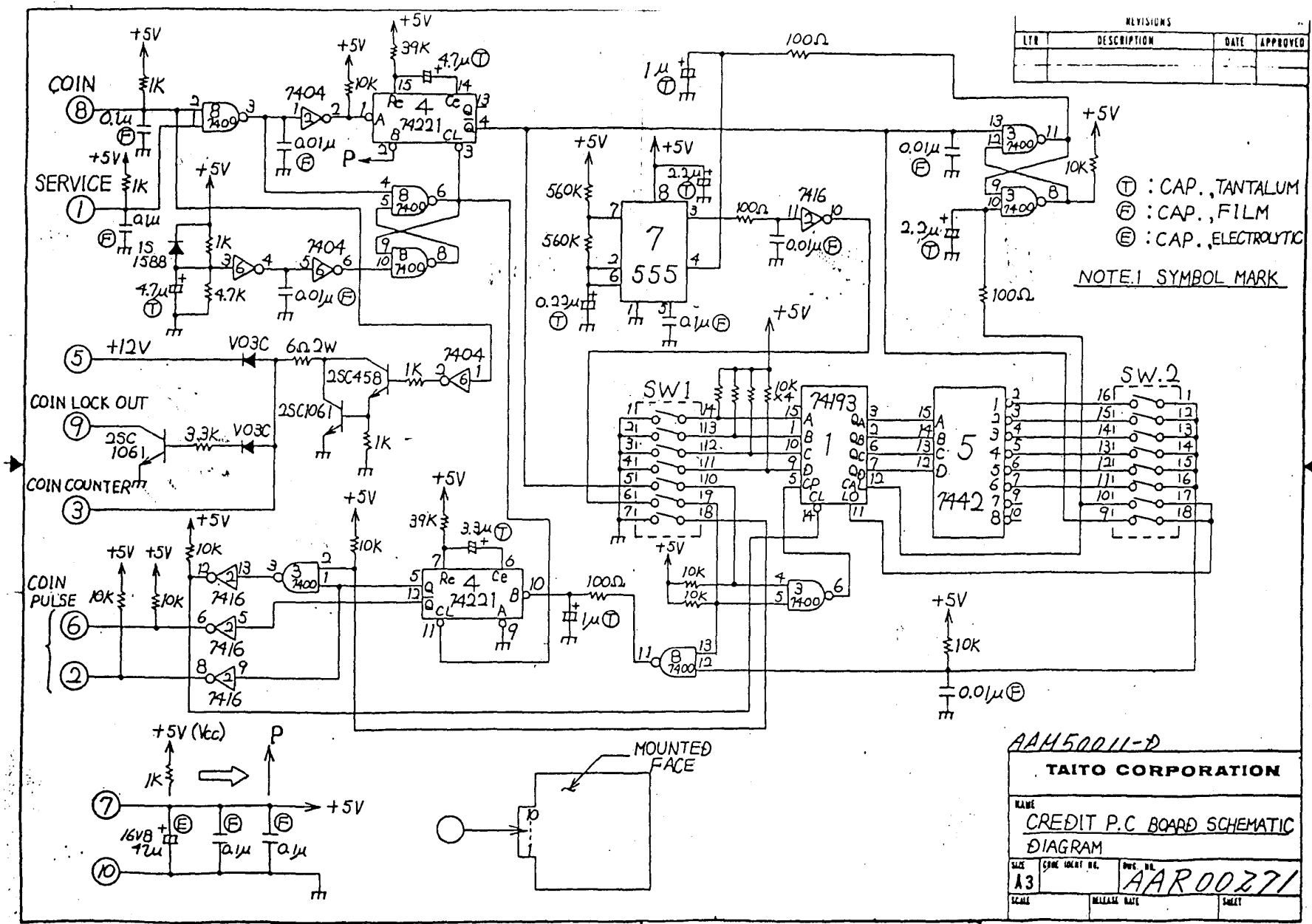
PARTS LIST

TAITO CORPORATION

NAME
CREDIT P.C BOARD ASSY.

SIZE: A3 DWG ISLAI NO. DWG NO. AAM50011-D

SCALE: 1/1 RELEASE DATE SHEET



REVISIONS			
LTR	DESCRIPTION	DATE	APPROVED

- Ⓢ : CAP., TANTALUM
- Ⓣ : CAP., FILM
- Ⓤ : CAP., ELECTROLYTIC

NOTE.1 SYMBOL MARK

AAM50011-D		
TAITO CORPORATION		
NAME CREDIT P.C. BOARD SCHEMATIC DIAGRAM		
SIZE A3	CONT. IDENT. NO.	PAGE NO. AAR00271
SCALE	RELEASE DATE	SHEET

