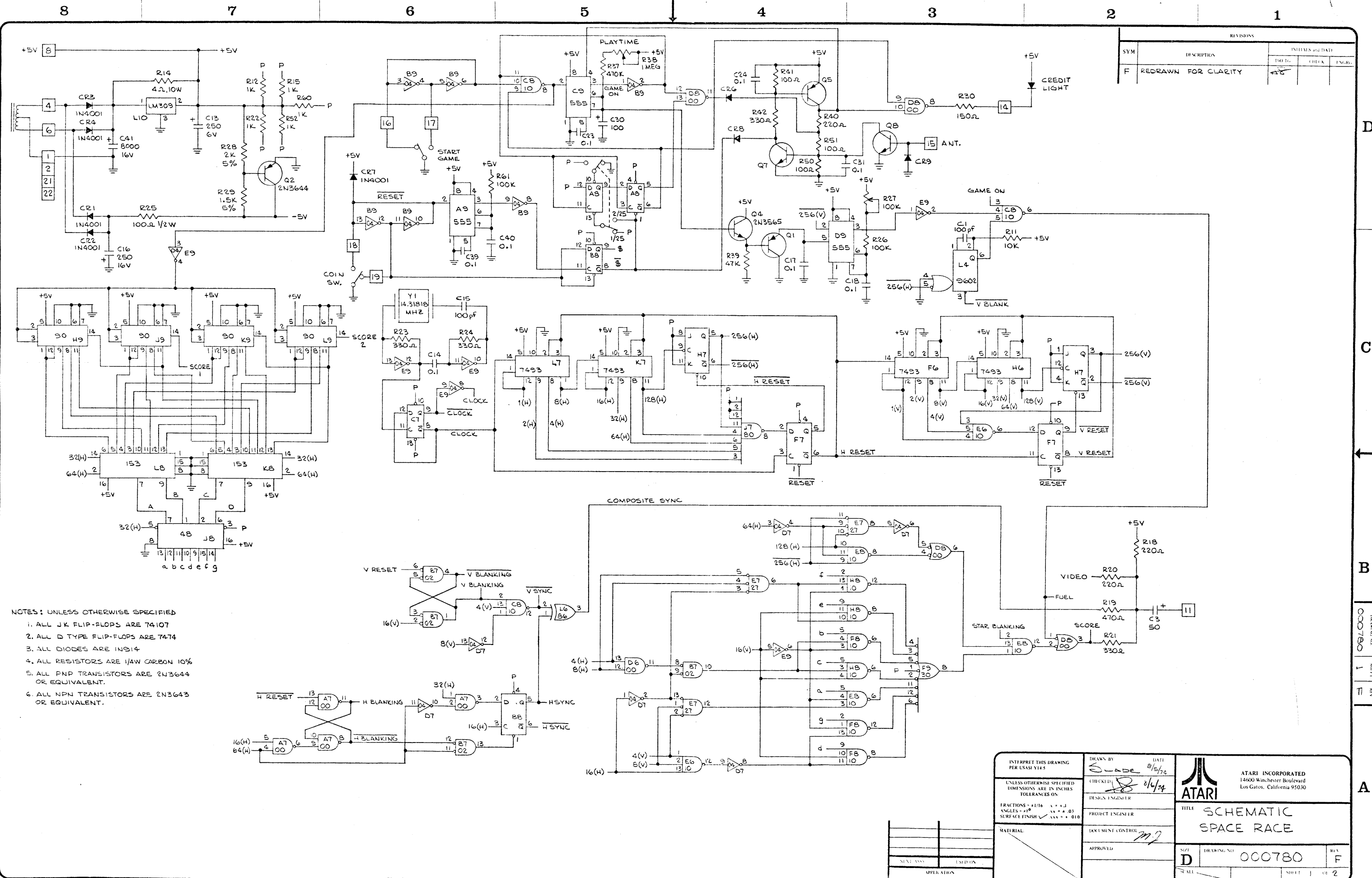


REVISIONS			INITIALS AND DATE		
SYM	DESCRIPTION		DRG. ENGR.	CHECK	ENGR.
F	REDRAWN FOR CLARITY				

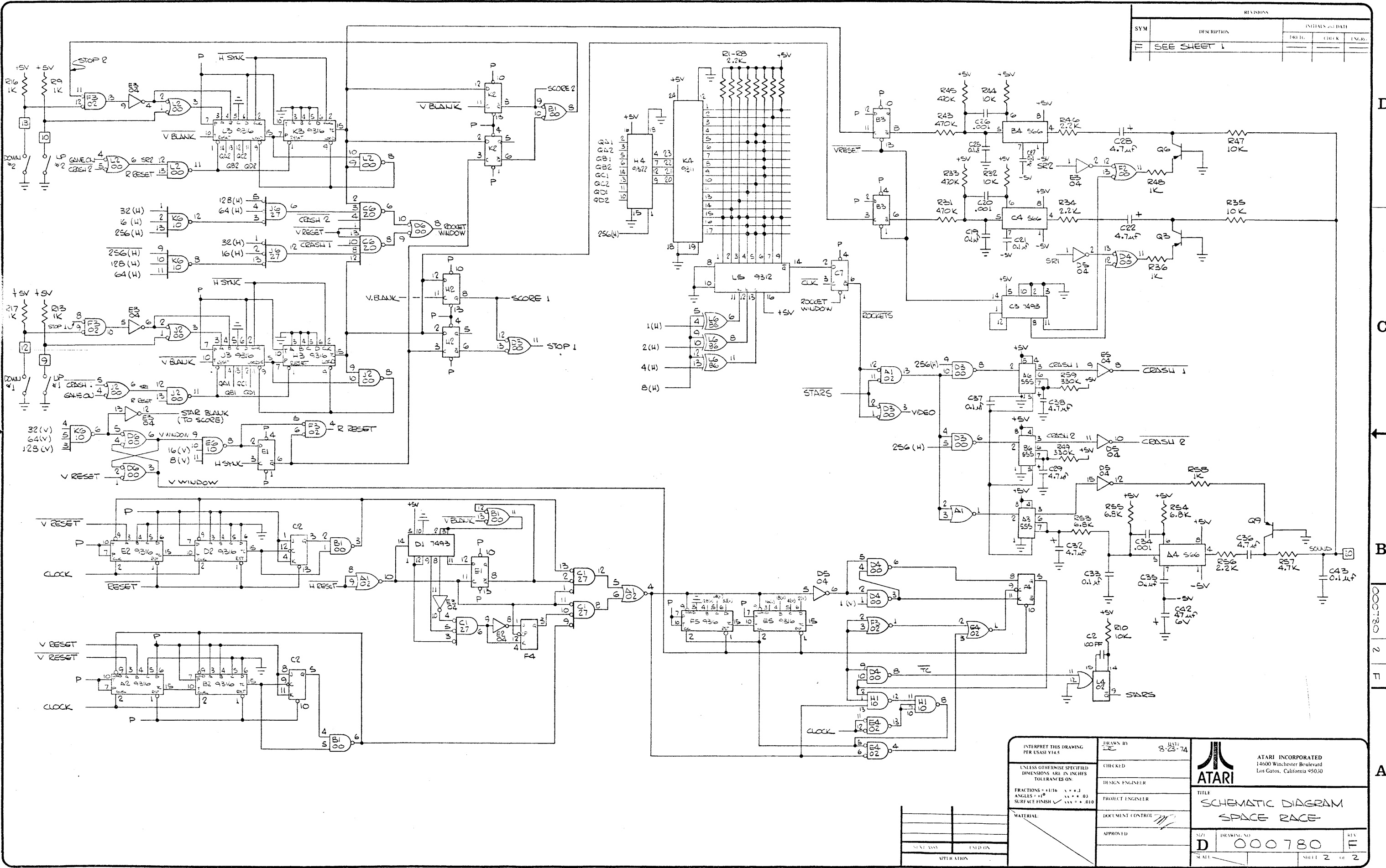


- NOTES: UNLESS OTHERWISE SPECIFIED
1. ALL JK FLIP-FLOPS ARE 74107
  2. ALL D TYPE FLIP-FLOPS ARE 7474
  3. ALL DIODES ARE 1N514
  4. ALL RESISTORS ARE 1/4W CARBON 10%
  5. ALL PNP TRANSISTORS ARE 2N3644 OR EQUIVALENT.
  6. ALL NPN TRANSISTORS ARE 2N3643 OR EQUIVALENT.

INTERPRET THIS DRAWING PER USASI Y14.5	DRAWN BY SLADE	DATE 8/15/74	 ATARI INCORPORATED 14600 Winchester Boulevard Los Gatos, California 95030
	UNLESS OTHERWISE SPECIFIED DIMENSIONS ARE IN INCHES TOLERANCES ON:	CHECKED S	
FRACTIONS = 1/16	DESIGN ENGINEER	PROJECT ENGINEER	TITLE SCHEMATIC SPACE RACE
ANGLES = 90°	DOCUMENT CONTROL	APPROVED	SIZE D
SURFACE FINISH			DRAWING NO 000780
MATERIAL			REV F
			SHEET 1 OF 2

000780 UN INCHES

REVISIONS			
SYM	DESCRIPTION	INITIALS AND DATE	
F	SEE SHEET 1		



INTERPRET THIS DRAWING PER USASI Y14.5 UNLESS OTHERWISE SPECIFIED DIMENSIONS ARE IN INCHES TOLERANCES ON: FRACTIONS = ±.1/16    .X.X ±.1 ANGLES = ±.01°    .XXX ±.03 SURFACE FINISH = XXX ±.010	DRAWN BY 8-23-74	ATARI INCORPORATED 14600 Winchester Boulevard Los Gatos, California 95030	
	CHECKED		TITLE SCHEMATIC DIAGRAM SPACE RACE
	DESIGN ENGINEER		PROJECT ENGINEER
	APPROVED		DOCUMENT CONTROL
MATERIAL	APPROVED	SIZE D	
SCALE	DRAWING NO. 000780	REV F	
		SHEET 2 OF 2	

000780 2 F

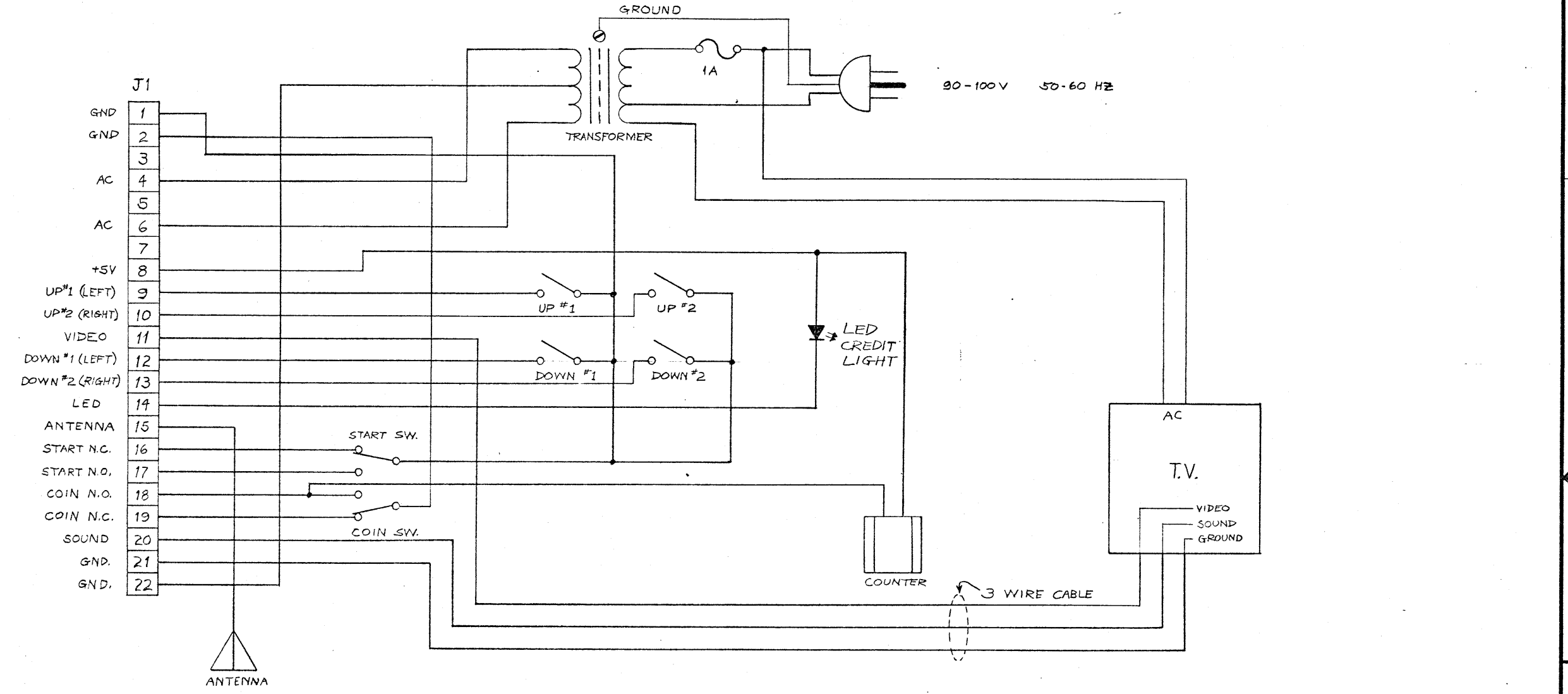
4

3

2

1

REVISIONS				
SYM	DESCRIPTION	INITIALS and DATE		
		DRTG	CHECK	ENGRG
A	REL. TO PROD. REDRAWN	5/16/74	<i>lit</i>	
B	REV. PER ECN 517	6/24/74	<i>lit</i>	WMD 6/25



1. ALL SWITCHES SHOWN IN THEIR NORMAL POSITIONS

NOTES:

DRAWING NO.  
000771

SHEET  
1/1

REV  
B

INTERPRET THIS DRAWING PER USASI Y14.5  UNLESS OTHERWISE SPECIFIED DIMENSIONS ARE IN INCHES TOLERANCES ON:  FRACTIONS = ±1/16 .x = ±.1 ANGLES = ±1° .xx = ±.03 SURFACE FINISH ✓ .xxx = ±.010  MATERIAL:	DRAWN BY T. Fowlks DATE 5/16/74	ATARI INCORPORATED 14600 Winchester Boulevard Los Gatos, California 95030  TITLE WIRING HARNESS S.R.	SIZE C	DRAWING NO. 000771	REV B
	CHECKED		PROJECT ENGINEER <i>D. Long</i>	SCALE NONE	SHEET 1 OF 1
	DESIGN ENGINEER		DOCUMENT CONTROL <i>MJ</i>	APPROVED <i>Eric [unclear]</i> 6/25/74	
	APPLICATION NEXT ASSY _____ USED ON _____ SPACE RACE				

4

3

2

1

A