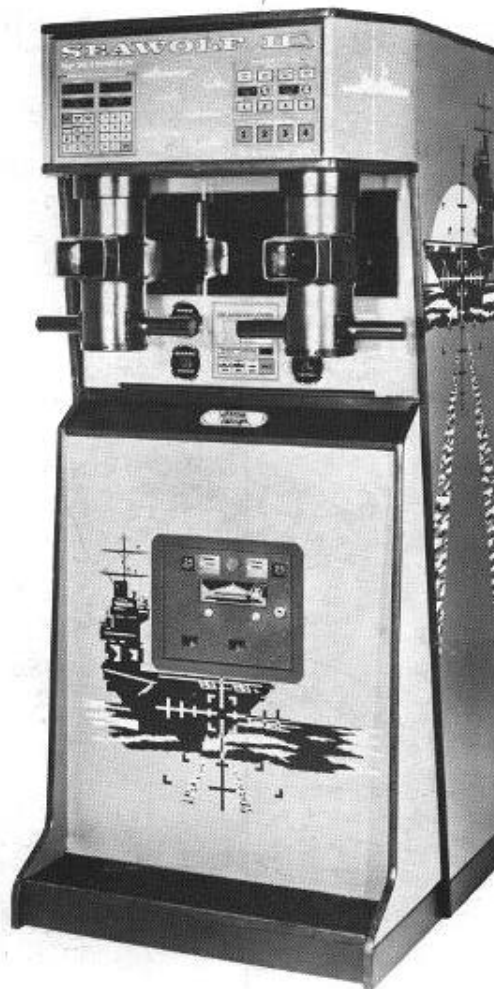


GAME NO. 625
JUNE 1, 1978

MIDWAY'S SEAWOLF II PARTS CATALOG



MIDWAY MFG. CO.

A BALLY COMPANY

10750 WEST GRAND AVENUE
FRANKLIN PARK, ILLINOIS 60131
U.S.A.

PHONE: (312) 451-1360 CABLE ADDRESS: MIDCO TELEX NO.: 72-1596

TABLE OF CONTENTS

| | Page No. |
|--|----------|
| GENERAL INSTRUCTIONS | 1 |
| VISUAL ADJUSTMENTS | 2 |
| SWITCH ADJUSTMENTS (FIRST 500 GAMES) | 3 |
| SWITCH ADJUSTMENTS (POST 500 GAMES) | 4 |
| NO. 625 — SEA WOLF II — PICTURE | 5—7 |
| PERISCOPE MIRROR & LIGHT BOX ASSEMBLY | 8—10 |
| PERISCOPE TUBE ASSEMBLY | 12—13 |
| FRONT DOOR ASSEMBLY | 14—15 |
| TRANSFORMER BOARD ASSEMBLY | 16—17 |
| ADDITIONAL PARTS LIST | 18 |
| GAME BOARD COMPONENTS LAYOUT (D-VERSION) | 19 |
| GAME BOARD COMPONENTS LAYOUT (E-VERSION) | 20 |
| MOTHER BOARD COMPONENTS LAYOUT (B-VERSION) | 21 |
| MOTHER BOARD COMPONENTS LAYOUT (C-VERSION) | 22 |
| POWER SUPPLY COMPONENTS LAYOUT | 23 |
| POWER SUPPLY SCHEMATIC | 24 |
| MONITOR SCHEMATIC | 25 |
| CHARACTERIZATION CARD | 26 |
| WELLS GARDNER MONITOR SCHEMATIC | 27 |
| WELLS GARDNER PARTS LIST | 28—29 |
| 25-INCH COLOR MONITOR SCHEMATIC—MODEL G02 | 30 |
| COLOR MONITOR PARTS LIST | 31 |

WARNING

**THIS GAME MUST BE GROUNDED. FAILURE TO DO SO MAY
RESULT IN DESTRUCTION TO ELECTRONIC COMPONENTS.**

SWITCH ADJUSTMENTS
THE FIRST (500) GAMES

COIN ADJUSTMENT SWITCHES

| | SW. 1 | SW. 2 |
|---------------------|-------|-------|
| 1 COIN – 1 PLAYER | ON | ON |
| 2 COINS – 2 PLAYERS | ON | ON |
| 1 COIN – 1 PLAYER | OFF | ON |
| 1 COIN – 2 PLAYERS | OFF | ON |
| 2 COINS – 1 PLAYER | OFF | OFF |
| 2 COINS – 2 PLAYERS | OFF | OFF |
| 2 COINS – 1 PLAYER | ON | OFF |
| 4 COINS – 2 PLAYERS | ON | OFF |

TIME ADJUSTMENT SWITCHES

| | SW. 3 | SW. 4 |
|--|-------|-------|
| 70 SEC. – 1 PLAYER; EXTENDED PLAY 35 SEC. | OFF | OFF |
| 90 SEC. – 2 PLAYERS; EXTENDED PLAY 45 SEC. | OFF | OFF |
| 60 SEC. – 1 PLAYER; EXTENDED PLAY 30 SEC. | ON | OFF |
| 75 SEC. – 2 PLAYERS; EXTENDED PLAY 35 SEC. | ON | OFF |
| 50 SEC. 1 PLAYER; EXTENDED PLAY 25 SEC. | OFF | ON |
| 60 SEC. – 2 PLAYERS; EXTENDED PLAY 30 SEC. | OFF | ON |
| 40 SEC. – 1 PLAYER; EXTENDED PLAY 20 SEC. | ON | ON |
| 45 SEC. – 2 PLAYERS; EXTENDED PLAY 20 SEC. | ON | ON |

EXTENDED PLAY ADJUSTMENT SWITCHES

| | SW. 5 | SW. 6 |
|-----------------------------|-------|-------|
| NO EXTENDED PLAY | OFF | OFF |
| EXTENDED PLAY AT 5000 SCORE | ON | OFF |
| EXTENDED PLAY AT 6000 SCORE | OFF | ON |
| EXTENDED PLAY AT 7000 SCORE | ON | ON |

MONITOR SELECTOR SWITCH

| | SW. 7 |
|--|-------|
| GAME EQUIPPED WITH COLOR MONITOR | ON |
| GAME EQUIPPED WITH BLACK AND WHITE MONITOR | OFF |

PLAY-TEST SWITCH

| | SW. 8 |
|--|-------|
| PLAY MODE | ON |
| TEST (SEE SEPARATE INSTRUCTION SHEET FOR TEST PROCEDURES.) | OFF |

SWITCH ADJUSTMENTS

POST (500) GAMES

COIN ADJUSTMENT SWITCHES

| | | |
|---------------------|-------|-------|
| 1 COIN – 1 PLAYER | SW. 1 | SW. 2 |
| 2 COINS – 2 PLAYERS | ON | ON |
| 1 COIN – 1 PLAYER | OFF | ON |
| 1 COIN – 2 PLAYERS | OFF | ON |
| 2 COINS – 1 PLAYER | OFF | OFF |
| 2 COINS – 2 PLAYERS | OFF | OFF |
| 2 COINS – 1 PLAYER | ON | OFF |
| 4 COINS – 2 PLAYERS | ON | OFF |

TIME ADJUSTMENT SWITCHES

| | | |
|--|-------|-------|
| 70 SEC. – 1 PLAYER; EXTENDED PLAY 35 SEC. | SW. 3 | SW. 4 |
| 90 SEC. – 2 PLAYERS; EXTENDED PLAY 45 SEC. | OFF | OFF |
| 60 SEC. – 1 PLAYER; EXTENDED PLAY 30 SEC. | ON | OFF |
| 75 SEC. – 2 PLAYERS; EXTENDED PLAY 35 SEC. | ON | OFF |
| 50 SEC. 1 PLAYER; EXTENDED PLAY 25 SEC. | OFF | ON |
| 60 SEC. – 2 PLAYERS; EXTENDED PLAY 30 SEC. | OFF | ON |
| 40 SEC. – 1 PLAYER; EXTENDED PLAY 20 SEC. | ON | ON |
| 45 SEC. – 2 PLAYERS; EXTENDED PLAY 20 SEC. | ON | ON |

EXTENDED PLAY ADJUSTMENT SWITCHES

| | | |
|-----------------------------|-------|-------|
| NO EXTENDED PLAY | SW. 5 | SW. 6 |
| EXTENDED PLAY AT 5000 SCORE | OFF | OFF |
| EXTENDED PLAY AT 6000 SCORE | ON | OFF |
| EXTENDED PLAY AT 7000 SCORE | OFF | ON |
| EXTENDED PLAY AT 7000 SCORE | ON | ON |

MONITOR SELECTOR SWITCH

| | |
|--|-------|
| GAME EQUIPPED WITH COLOR MONITOR | SW. 7 |
| GAME EQUIPPED WITH BLACK AND WHITE MONITOR | ON |
| GAME EQUIPPED WITH BLACK AND WHITE MONITOR | OFF |

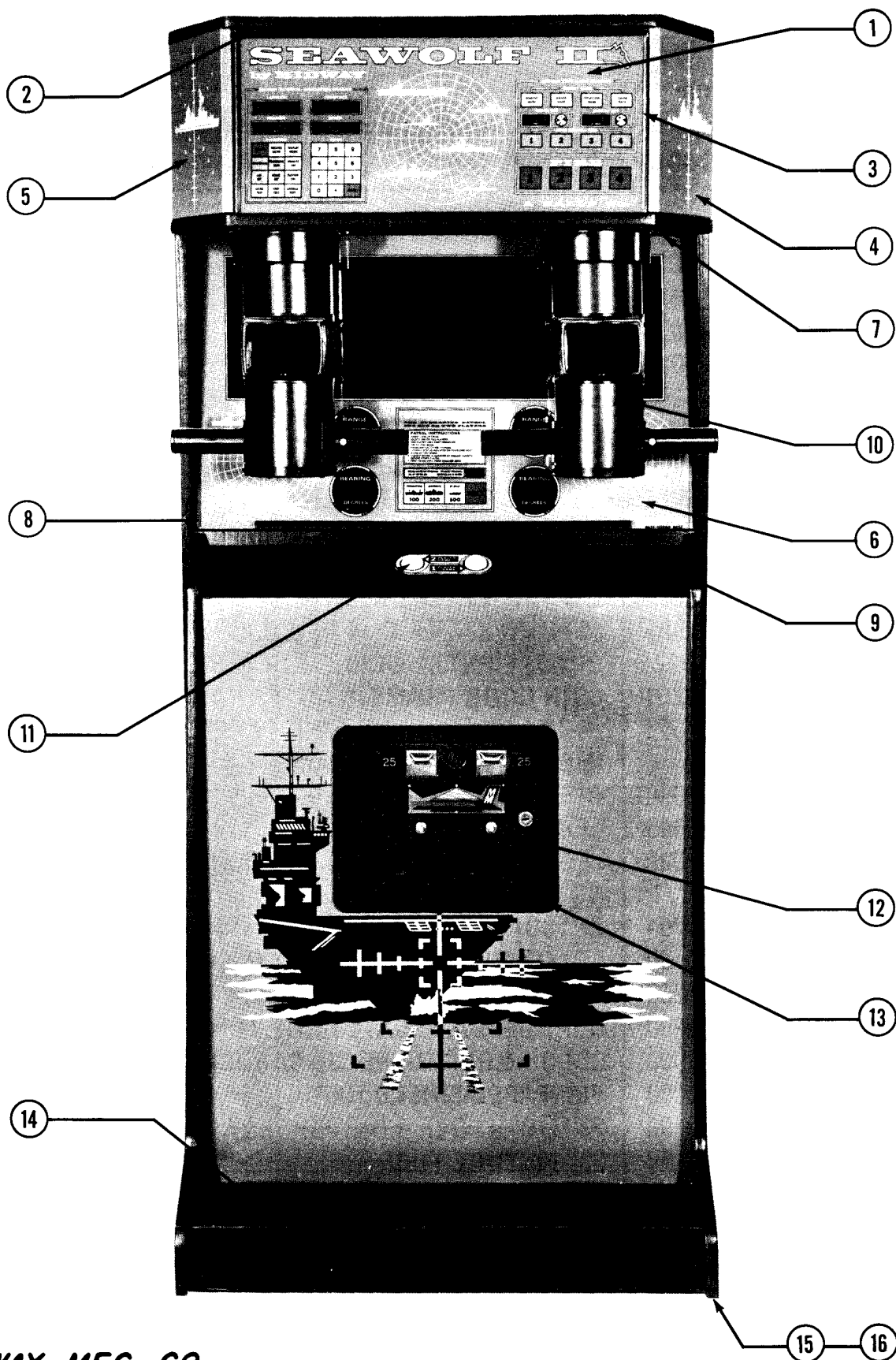
PLAY-TEST SWITCH

| | |
|--|-------|
| PLAY MODE | SW. 8 |
| TEST (SEE SEPARATE INSTRUCTION SHEET FOR TEST PROCEDURES.) | ON |
| TEST (SEE SEPARATE INSTRUCTION SHEET FOR TEST PROCEDURES.) | OFF |

LANGUAGE ADJUSTMENT SWITCH (4 POSITION)

| | | |
|---------|-------|-------|
| ENGLISH | SW. 1 | SW. 2 |
| GERMAN | OFF | OFF |
| FRENCH | OFF | ON |
| FRENCH | ON | OFF |

NO. 625 – SEA WOLF II – PICTURE



NO. 625 – SEA WOLF II – PICTURE

ORDER BY PART NUMBER ONLY

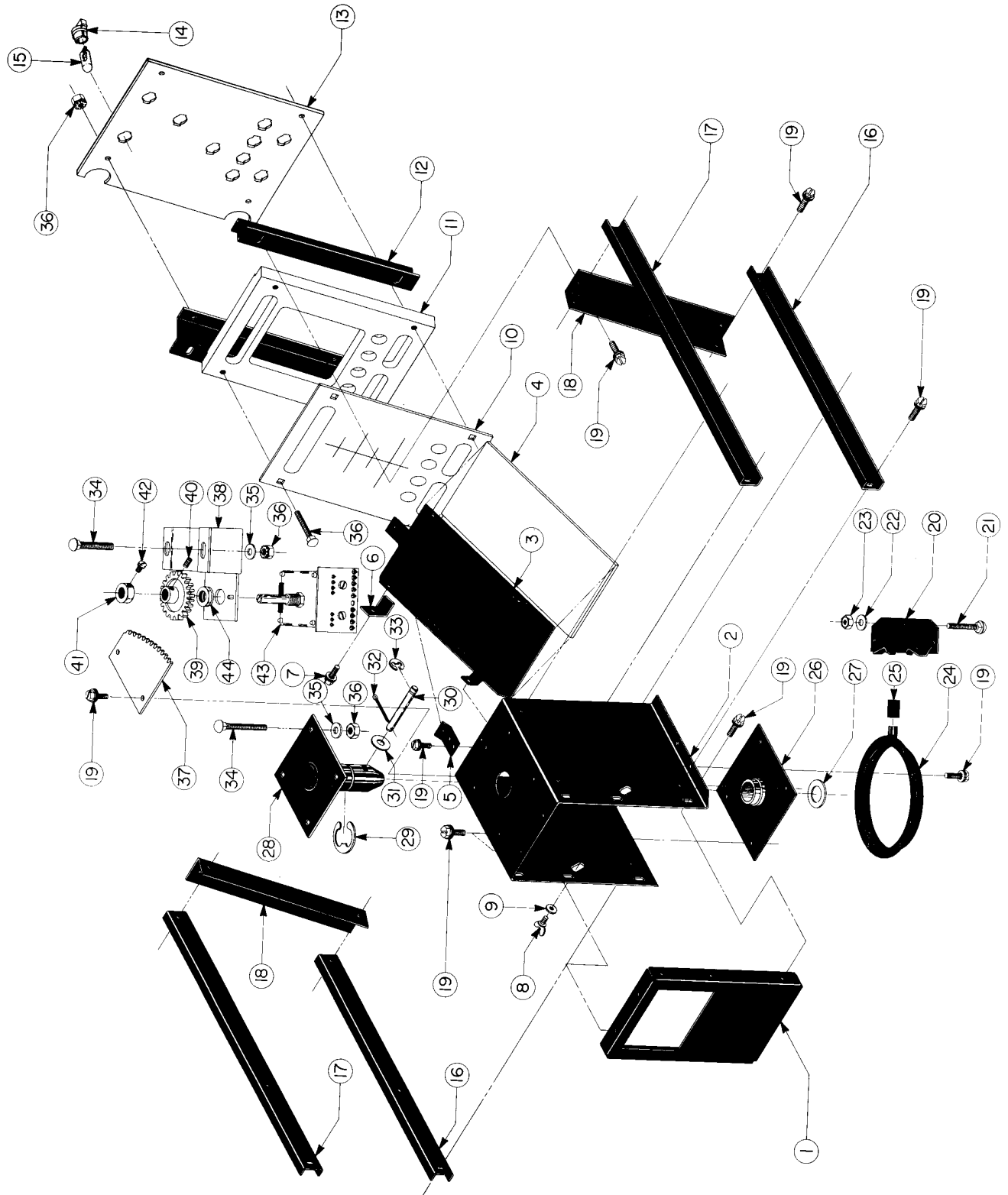
| ITEM | PART NO | DESCRIPTION |
|------|-----------------|--|
| 1 | 0625-00901-00SC | UPPER DISPLAY PLEX – 24¼" x 10½" |
| 2 | 0537-00903-0015 | GLASS CHANNEL – 24.2" (2 REQ'D.) |
| 3 | 0537-00903-0040 | GLASS CHANNEL – 9.8" (2 REQ'D.) |
| 4 | 0625-00102-01SC | SIDE WRAP AROUND PANEL – RIGHT |
| 5 | 0625-00102-02SC | SIDE WRAP AROUND PANEL – LEFT |
| | 0017-00101-0023 | #8 x 3/8 PHIL. TRUSS HD. S.M.S. (6 REQ'D.) |
| 6 | 0625-00900-01SC | LOWER DISPLAY PLEX – 31-3/16" x 19-5/16" |
| 7 | 0537-00903-0039 | GLASS CHANNEL – 31.1" |
| 8 | 0537-00903-0019 | GLASS CHANNEL – 18.5" |
| 9 | 0537-00138-0800 | GLASS LIFT CHANNEL – 31-11/16" |
| 10 | A625-00013-0000 | PERISCOPE TUBE ASSY. |
| 11 | 0612-00006-0000 | PUSH BUTTON ASSY. (2 REQ'D.) |
| | 0625-00905-00SC | BUTTON ESCUTHEON |
| | 0586-00107-0000 | MOUNTING BRACKET (2 REQ'D.) |
| | 0586-00036-0000 | SWITCH (2 REQ'D.) |
| | 0020-00202-0000 | SWITCH PLATE (2 REQ'D.) |
| | 0017-00101-0521 | #5-40 x 3/8 R.H.M.S. (4 REQ'D.) |
| 12 | A090-00020-02GR | DOUBLE ENTRY COIN DOOR ASSY. W/PLUG |
| 13 | 0090-00002-02GR | COIN DOOR FRAME |
| | 0017-00101-0555 | #6-32 x 5/16 HEX HD. S.M.S. (3 REQ'D.) (MOUNTS DOOR TO FRAME) |
| 14 | 0625-00908-0000 | RUBBER MATT |
| 15 | 0017-00102-0048 | LEG LEVELERS (4 REQ'D.) |
| 16 | 0017-00103-0026 | LEG LEVELER NUTS (4 REQ'D.) |
| | | <u>NOT SHOWN LIST</u> |
| | 0017-00003-0204 | 25" COLOR MONITOR |
| | 0625-00108-0100 | COLOR MONITOR MTG. BRKT. – RIGHT |
| | 0625-00108-0200 | COLOR MONITOR MTG. BRKT. – LEFT |
| | 0625-00118-0000 | CHASSIS HOLD DOWN BRKT. (4 REQ'D.) |
| | 0625-00904-0000 | COLOR MONITOR BEZEL CARDBOARD |
| | 0625-00910-0000 | FISHPAPER SHIELD |
| | 0017-00003-0198 | 23" MOTOROLA MONITOR (B&W VERSION) |
| | 0017-00003-0199 | 23" PICTURE TUBE |
| | 0625-00105-0100 | FRONT T.V. MTG. BRKT. – RIGHT |
| | 0625-00105-0200 | FRONT T.V. MTG. BRKT. – LEFT |
| | 0625-00106-0100 | REAR T.V. MTG. BRKT. – RIGHT |
| | 0625-00106-0200 | REAR T.V. MTG. BRKT. – LEFT |
| | A625-00007-0000 | CHASSIS & SHELF ASSY. |

NO. 625 – SEA WOLF II – PICTURE

ORDER BY PART NUMBER ONLY

| ITEM | PART N ^o | DESCRIPTION |
|------|---------------------|---|
| | 0592-00104-0100 | CHASSIS MTG. BRKT. – RIGHT |
| | 0592-00104-0200 | CHASSIS MTG. BRKT. – LEFT |
| | 0017-00101-0639 | #8-32 x 1-1/4 CARRIAGE BOLTS (TOTAL REQ'D. FOR ALL BRKTS. – 12) |
| | 0017-00104-0022 | #8 STEEL WASHER (TOTAL REQ'D. FOR ALL BRKTS. – 12) |
| | 0017-00103-0061 | #8-32 HEX LOCKNUT S.E.M.S. (TOTAL REQ'D. FOR ALL BRKTS. – 12) |
| | 0161-00100-0000 | T.V. MOUNTING WASHERS (4 REQ'D.) |
| | A625-00035-0000 | TUBE BEZEL ASSY. |
| | A161-00002-0000 | DAG SPRING ASSY. |
| | 3000-17155-0000 | GROUND STRAP |
| | 0596-00130-0000 | GLASS LOCKING BRKTS. (2 REQ'D.) |
| | 0596-00143-0000 | GLASS LOCK LATCH (2 REQ'D.) |
| | 0017-00101-0027 | #8 x 3/4 WOOD SCREWS (TOTAL REQ'D. – 8) |
| | 0625-00112-0000 | GLASS RETAINING BRKTS. (2 REQ'D.) |
| | 0017-00101-0028 | #8 x 3/4 HEX HD. WD. SCRS. (4 REQ'D.) |
| | 0625-00902-0000 | REGULAR MIRROPANE – 31-7/8 x 12-1/4 – 1ST 750 GAMES |
| | 0625-00902-0100 | REGULAR MIRROPANE – 29-7/8 x 12-1/4 – POST 750 GAMES |
| | 0625-00120-0000 | MIRROR HOLD DOWN BRKTS. (2 REQ'D.) |
| | 0017-00101-0017 | #6 x 1/2 HEX HD. WD. SCRS. (4 REQ'D.) |
| | A625-00032-0000 | DISPLAY INSERT ASSY. – CONSISTING OF NEXT 4 ITEMS) |
| | 0017-00031-0027 | SOCKETS (4 REQ'D.) |
| | 0017-00031-0002 | SOCKETS (5 REQ'D.) |
| | 0017-00003-0052 | LAMPS (9 REQ'D.) |
| | 0017-00101-0018 | #6 x 3/4 HEX. HD. WOOD SCREWS (2 REQ'D.) |
| | 0567-00106-0000 | SWITCH PLATE |
| | 0586-00036-0000 | ON-OFF SWITCH |
| | 0625-00131-0000 | PROTECTIVE STOOL TRIM |

NO. 625 – SEA WOLF II – PERISCOPE MIRROR & LIGHT BOX ASSY.



NO. 625 – SEA WOLF II – PERISCOPE MIRROR & LIGHT BOX ASSY.

ORDER BY PART NUMBER ONLY

| ITEM | PART N ^o | DESCRIPTION |
|------|---------------------|---|
| 1 | 0596-00112-0000 | BACK PLATE |
| 2 | 0596-00109-0000 | MIRROR HOUSING |
| 3 | 0596-00005-0000 | MIRROR MTG. PLATE ASSY. |
| 4 | 0596-00911-0000 | TOP PERISCOPE MIRROR |
| 5 | 0596-00111-0000 | MIRROR ADJUSTING BRACKET |
| 6 | 0596-00115-0000 | MIRROR MTG. CLIP (4 REQ'D.) |
| 7 | 0017-00101-0555 | #6-32 x 5/16 HEX HD. S/T M.S. (4 REQ'D.) |
| 8 | 0017-00101-0784 | #8-32 x 3/8 WING SCREW (2 REQ'D.) |
| 9 | 0017-00104-0030 | #8 STL. FLAT WASHER (2 REQ'D.) |
| 10 | 0625-00906-00SC | LIGHT BOX ARTWORK – CROSS HAIRS |
| 11 | 0625-00502-0000 | CROSS HAIR LIGHT BOX |
| 12 | 0596-00126-0000 | LIGHT BOX MTG. BRKT. (2 REQ'D.) |
| 13 | A084-91100-A625 | PRINTED CIRCUIT ASSY. |
| 14 | 0017-00031-0029 | MINATURE WEDGE BASE LAMP SOCKET (10 REQ'D.) |
| 15 | 0017-00003-0219 | LAMPS – 4 TOP POSITIONS (4 REQ'D.) |
| 15 | 0017-00003-0218 | LAMPS – 6 BOTTOM POSITIONS (6 REQ'D.) |
| 16 | 0596-00121-0300 | SUPPORT CHANNELS – 11-3/8" (2 REQ'D.) |
| 17 | 0596-00121-0400 | SUPPORT CHANNELS – 13" (2 REQ'D.) |
| 18 | 0596-00127-0000 | MOUNTING FLANGE – LIGHT BOX (2 REQ'D.) |
| 19 | 0017-00101-0598 | #8-32 x 5/16 HEX HD. S/T M.S. (33 REQ'D.) |
| 20 | A625-00002-0000 | STOP BRKT. & MTG. PLATE |
| 21 | 0017-00101-0701 | #10-32 x 1-1/4 CARRIAGE BOLTS - M.S. (3 REQ'D.) |
| 22 | 0017-00104-0004 | #10 LOCKWASHER (3 REQ'D.) |
| 23 | 0017-00103-0010 | #10-32 HEX NUT (3 REQ'D.) |
| 24 | A625-00017-0000 | FLANGE TUBE & STOP PIN ASSY. – LEFT |
| 24 | A625-00017-0100 | FLANGE TUBE & STOP PIN ASSY. – RIGHT |
| 25 | 0596-00921-0000 | RUBBER STOP |
| 26 | 0596-00007-0000 | BEARING PLATE ASSY. |
| 27 | 0017-00104-0056 | 1" I.D. x 1-1/2 O.D. x 1/16 STL. FLAT WASHER |
| 28 | A625-00012-0000 | PIVOT SHAFT ASSY. |
| 29 | 0017-00100-0107 | 1" E-RING |
| 30 | 0625-00703-0000 | CLEVIS PIN |
| 31 | 0017-00104-0035 | STEEL WASHER – 5/8 x 1/4 x 1/16 |
| 32 | 0017-00007-0046 | 1/16 x 1" COTTER PIN |
| 33 | 0017-00100-0025 | 1/4" E-RING |
| 34 | 0017-00101-0639 | #8-32 x 1-1/4 CARRIAGE BOLTS M.S. (10 REQ'D.) |
| 35 | 0017-00104-0022 | #8 STEEL WASHER (6 REQ'D.) |

NO. 625 – SEA WOLF II – PERISCOPE MIRROR & LIGHT BOX ASSY.

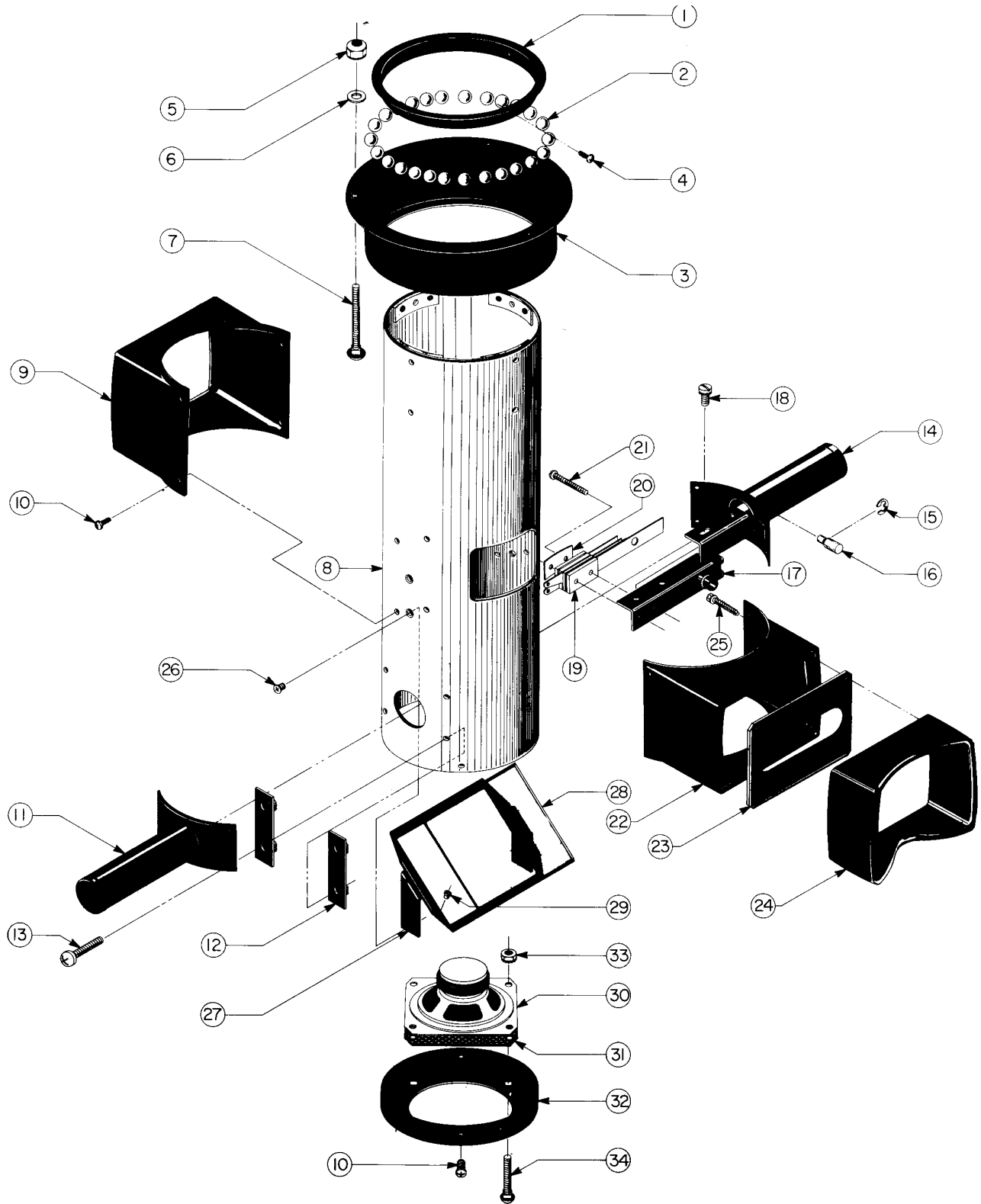
ORDER BY PART NUMBER ONLY

| ITEM | PART NO | DESCRIPTION |
|------|-----------------|---|
| 36 | 0017-00103-0061 | #8-32 HEX LOCKNUT (10 REQ'D.) |
| 37 | 0625-00103-0000 | GEAR SEGMENT PLATE |
| 38 | 0625-00121-0000 | POT MTG. BRKT. |
| 39 | 0625-00909-0000 | GEAR (ENCODER) |
| 40 | 0017-00101-0308 | #8-32 SET SCREW (2 REQ'D.) |
| 41 | 0567-00700-0000 | ADJUSTMENT NUT |
| 42 | 0017-00101-0301 | #6-32 SET SCREW |
| 43 | A082-91101-A000 | ANGLE ENCODER SWITCH ASSY. |
| 44 | | HARDWARE FOR ITEM #43 CONSISTING OF 3/8 INT. LOCKWASHER & 3/8-32 NUT |

NOTES

This space is provided for personal notes

NO. 625 – SEA WOLF II – PERISCOPE TUBE ASSEMBLY

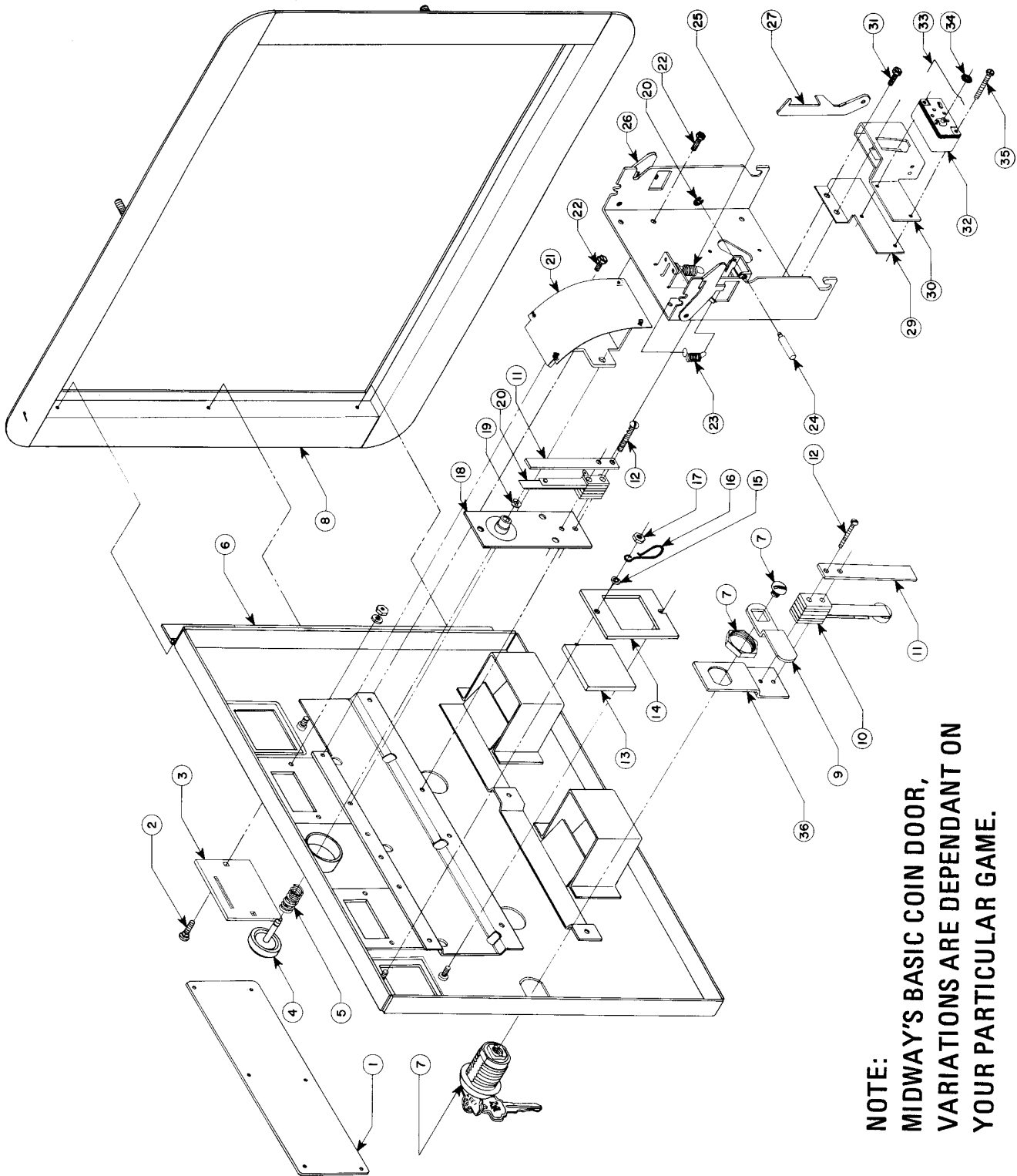


NO. 625 – SEA WOLF II – PERISCOPE TUBE ASSEMBLY

ORDER BY PART NUMBER ONLY

| ITEM | PART N^o | DESCRIPTION |
|-------------|---------------------------|---|
| 1 | 0596-00107-0000 | BALL RETAINER FLANGE |
| 2 | 0017-00006-0052 | STEEL BALL BEARING – 1/2" DIA. (37 REQ'D.) |
| 3 | 0596-00100-0000 | BEARING SUPPORT |
| 4 | 0017-00101-0735 | #10 x 1/2" LG. PHIL. PAN. HD. M.S. (4 REQ'D.) |
| 5 | 0017-00103-0010 | #10-32 HEX. NUT (3 REQ'D.) |
| 6 | 0017-00104-0004 | #10 LOCK WASHER (3 REQ'D.) |
| 7 | 0017-00101-0701 | #10-32 x 1-1/4 CARRIAGE BOLTS M.S. (3 REQ'D.) |
| 8 | 0596-00018-0000 | PERISCOPE TUBE & PLATE ASSY. |
| 9 | 0596-00021-0000 | FRONT EYE PIECE ASSY. (2 REQ'D.) |
| 10 | 0017-00101-0734 | #8 x 1/2 LG. PHIL. PAN. HD. M.S. (2 REQ'D.) |
| 11 | A625-00019-0200 | HANDLE BRAZING ASSY. (NO HOLE) |
| 12 | 0596-00022-0000 | BACK UP PLATE ASSY. (4 REQ'D.) |
| 13 | 0017-00101-0658 | #10-32 x 5/8 LG. PHIL. HD. M.S. (8 REQ'D.) |
| 14 | A625-00020-0000 | HANDLE SWITCH BRKT. WELDING ASSY. |
| 15 | 0017-00100-0018 | "E" RING |
| 16 | 0625-00705-0000 | BUTTON |
| 17 | A625-00022-0000 | SWITCH MTG. BRKT. & BUSHING ASSY. |
| 18 | 0017-00101-0593 | #8-32 x 1/4 PAN. HD. SEMS M.S. (2 REQ'D.) |
| 19 | A625-00021-0000 | TRIGGER SWITCH BLADE ASSY. |
| 20 | 0020-00202-0000 | SWITCH PLATE |
| 21 | 0017-00101-0524 | #5-40 x 1/2" LG. PAN HD. M.S. (2 REQ'D.) |
| 22 | 0545-00904-0000 | EYE PIECE BASE (2 REQ'D.) |
| 23 | 0545-00100-0100 | SCREENED FRONT GLASS (2 REQ'D.) |
| 24 | 0545-00903-0000 | EYE PIECE (2 REQ'D.) |
| 25 | 0017-00101-0027 | #8 x 3/4 LG. HEX HD. W/W S.M.S. (8 REQ'D.) |
| 26 | 0017-00101-0694 | #4-40 x 5/16 PAN HD. M.S. (4 REQ'D.) |
| 27 | 0596-00002-0000 | MIRROR BRKT. ASSY. |
| 28 | 0596-00900-0000 | PERISCOPE TUBE MIRROR |
| 29 | 0017-00042-0115 | SHOULDER WASHER (4 REQ'D.) |
| 30 | 0017-00003-0161 | SPEAKER |
| 31 | 0625-00111-0000 | SPEAKER GRILL |
| 32 | 0625-00107-0000 | PERISCOPE CAP |
| 33 | 0017-00101-0061 | #8-32 SEM LOCK NUT (4 REQ'D.) |
| 34 | 0017-00101-0620 | #8-32 x 1/2" CARRIAGE BOLTS M.S. (4 REQ'D.) |

NO. 625 – SEA WOLF II – FRONT DOOR ASSY.



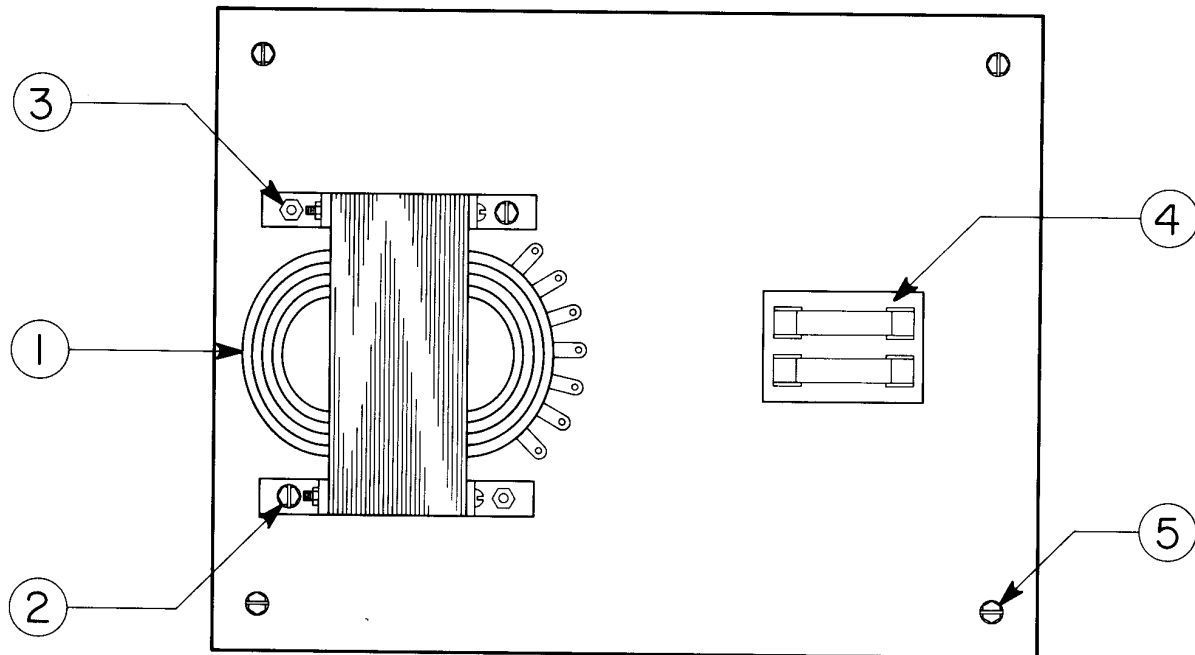
**NOTE:
MIDWAY'S BASIC COIN DOOR,
VARIATIONS ARE DEPENDANT ON
YOUR PARTICULAR GAME.**

NO. 625 – SEA WOLF II – FRONT DOOR ASSY.

ORDER BY PART NUMBER ONLY

| ITEM | PART N ^o | DESCRIPTION |
|------|------------------------------------|--|
| 1 | 0090-00902-0000 0090-00902-0100 | DRESS PLATE DRESS PLATE (W/O PRESS BUTTON TO START GAME) |
| 2 | 0017-00101-0552 | 6-32 x 1/4 CARRIAGE BOLT (2) |
| 3 | 0090-00117-0300 | COIN ENTRY PLATE (25¢) |
| 4 | 0090-00906-0000 | PLASTIC START BUTTON |
| 5 | 0010-00007-0000 | COMPRESSION SPRING |
| 6 | 0090-00013-0200 | DOOR ASSY. DOUBLE ENTRY |
| 7 | 0017-00005-0050 | DOOR LOCK & KEY WITH SCREW & NUT |
| 8 | 0090-00002-02BR | DOUBLE DOOR FRAME |
| 9 | 0017-00005-0041 | 421 N.S. CAM |
| 10 | 0090-00901-0000 | DOOR SWITCH |
| 11 | 0090-00126-0100 | SWITCH BACKUP PLATE |
| 12 | 0017-00101-0528 | 5-40 x 3/4" LNG. M.S. |
| 13 | 0090-00903-0040 | 25¢ WINDOW |
| 14 | 0090-00143-0000 | COIN PLEX RETAINER |
| 15 | 0017-00104-0002 | SPLIT LOCK WASHER |
| 16 | 0017-00007-0019 | KEY HOOK |
| 17 | 0017-00103-0005 | 6-32 HEX NUT |
| 18 | 0090-00010-0000 | SW. PLATE & OILLITE ASSY. |
| 19 | 0017-00100-0018 | "E" RING |
| 20 | 0090-00131-0000 | SWITCH |
| 21 | 0090-00104-0000 | TOP & BTM. COIN CHUTE W/BRKT. ASSY. |
| 22 | 0017-00101-0598 | 8-32 x 5/16 SCREW |
| 23 | 0010-00181-0100 | SPRING |
| 24 | 0090-00129-0000 | PIVOT POST |
| 25 | 0010-00134-0000 | SPRING |
| 26 | 0090-00008-0000 | ACCEPTOR FRAME ASSY. |
| 27 | 0093-00155-0000 | REJECTOR LEVER |
| 28 | 0017-00100-0012 | "E" RING |
| 29 | 0093-00151-0000 | COIN GUIDE MTG. BRACKET |
| 30 | 0090-00005-0000 | COIN GUIDE ASSY. |
| 31 | 0017-00101-0555 | 6-32 x 5/16 SCREW |
| 32 | 0017-00005-0039 | COIN SWITCH |
| 33 | 0010-00557-2500 | TRIP WIRE |
| 34 | 0017-00007-0132 | PUSH-ON RING (BIK) |
| 35 | 0017-00101-0507 | #4-36 x 3/4 SCREW |
| 36 | 0090-00128-0000 | SWITCH BRKT. – DOOR TILT |

NO. 625 – SEA WOLF II – TRANSFORMER BOARD ASSY.



NO. 625 – SEA WOLF II – TRANSFORMER BOARD ASSY.

ORDER BY PART NUMBER ONLY

| ITEM | PART NO | DESCRIPTION |
|------|-----------------|---|
| 1 | MT00-00065-A000 | TRANSFORMER – 60 CYCLE OR |
| 1 | MT00-00066-0000 | TRANSFORMER – 50 CYCLE – (FOREIGN) |
| 2 | 0017-00101-0025 | #8 x 1/2 SLOT HEX HD. S.M.S. (2 REQ'D.) |
| 3 | 0017-00101-0692 | #8-32 x 7/8 CARRIAGE BOLTS (2 REQ'D.) |
| | 0017-00103-0008 | W #8-32 HEX NUT (2 REQ'D.) |
| 4 | 0720-00001-0000 | FUSE BLOCK ASSY. (2 POSITION) |
| 5 | 0017-00101-0030 | #8 x 1" HEX HD. WD. SCREW (4 REQ'D.) |
| | | NOT SHOWN |
| | 0017-00101-0017 | #6 x 1/2 HEX HD. S.M.S. (5 REQ'D.) |
| | 0017-00003-0064 | LINE CORD |

NO. 625 – SEA WOLF II – ADDITIONAL PARTS LIST

ORDER BY PART NUMBER ONLY

| ITEM | PART N^o | DESCRIPTION |
|-------------|---------------------------|--|
| | A625-00005-0000 | UPPER BACK DOOR ASSY. |
| | A625-00006-0000 | LOWER BACK DOOR ASSY. |
| | A097-00001-0000 | LOCK ASSY. (1 REQ'D.-UPPER, 1 REQ'D.-LOWER) |
| | A625-00028-0000 | CASH BOX ASSY. |
| | A625-00023-0000 | CASH BOX COVER ASSY. |
| | A625-00024-0000 | CASH BOX GUIDE BRKT. ASSY. |
| | 0625-00117-0000 | CASH BOX SIDE CHANNELS |
| | 0017-00101-0628 | #8-32 x 3/4 CARRIAGE BOLTS (4 REQ'D.) |
| | 0017-00104-0022 | #8 STL. WASHER (4 REQ'D.) |
| | 0017-00103-0061 | #8-32 HEX LOCKNUT S.E.M.S. (4 REQ'D.) |
| | 0017-00003-0102 | COUNTER METER (MOUNTS TO COIN DOOR) |
| | 0625-00912-0000 | FISHPAPER CABLE SHIELD |
| | 0017-00009-0009 | TURN BUTTONS (2 REQ'D.) |
| | A625-00030-0000 | ROTARY ENCODER & BRKT. ASSY. (2 REQ'D.) |
| | A597-00012-0100 | P.C. SUPPORT BRKT. ASSY. – RIGHT |
| | A597-00012-0200 | P.C. SUPPORT BRKT. ASSY. – LEFT |
| | 0624-00902-0100 | P.C. SUPPORT BRKT. – 12" (2 REQ'D. - POWER SUPPLY, 2 REQ'D. - MOTHER & GAME BRD.) |
| | 0624-00902-0300 | P.C. SUPPORT BRKT. – 2-1/2" (2 REQ'D. - POWER SUPPLY, 2 REQ'D. – MOTHER & GAME BRD.) |
| | 0017-00101-0017 | #6 x 1/2 HEX HD. WOOD SCREWS (20 REQ'D. - TOTAL REQ'D. FOR ALL P.C. SUPPORT BRKTS.) |
| | A084-90002-B625 | MOTHER BOARD ASSY. (B-VERSION) |
| | A084-90002-C625 | MOTHER BOARD ASSY. (C-VERSION) |
| | A084-90700-D625 | GAME BOARD ASSY. (D-VERSION) |
| | A084-90700-E625 | GAME BOARD ASSY. (E-VERSION) |
| | A625-00018-0000 | TRANSFORMER BOARD ASSY. |
| | A082-90401-B000 | POWER SUPPLY BOARD |
| | A084-91312-B625 | CHARACTERIZATION CARD |
| | 0017-00009-0419 | PIN EXTRACTOR TOOL (PIN POPPER) |

12 PIN

7 PIN

6 PIN

5 PIN

A14F
A14F

- 10,000ME 35V. +
ELECTROLYTIC AXIAL

270Ω 1W
36Ω
100Ω POT
0.1ME
0.1ME

7812

A15F
A15F

2N4143 2N4143
100Ω 1K
3.6K 1K
10K 10K
IN4001 IN4001

22ME
+ - 25V.
TANT.
1K 1W
2.2K

- 20,000ME 16V. +
ELECTROLYTIC AXIAL

0.018Ω 20% FUSE

IC80 COMP
- O - FERRITE BEAD
2.7K

2N3055

IN4001
IN4001
IN4001
IN4001
IN4001

2000ME 25V. +
ELEC. AXIAL

100Ω POT

SG
3532

+
-
470ME 16V.
RADIAL

100Ω POT

0.1ME
0.1ME

POWER SUPPLY
A082-90401-B000

- 4700ME 25V. +
ELEC. AXIAL

200Ω

+ -
47ME
25V.
TANT.

A15F
A15F
A15F
A15F

- 4700ME 25V. +
ELEC. AXIAL

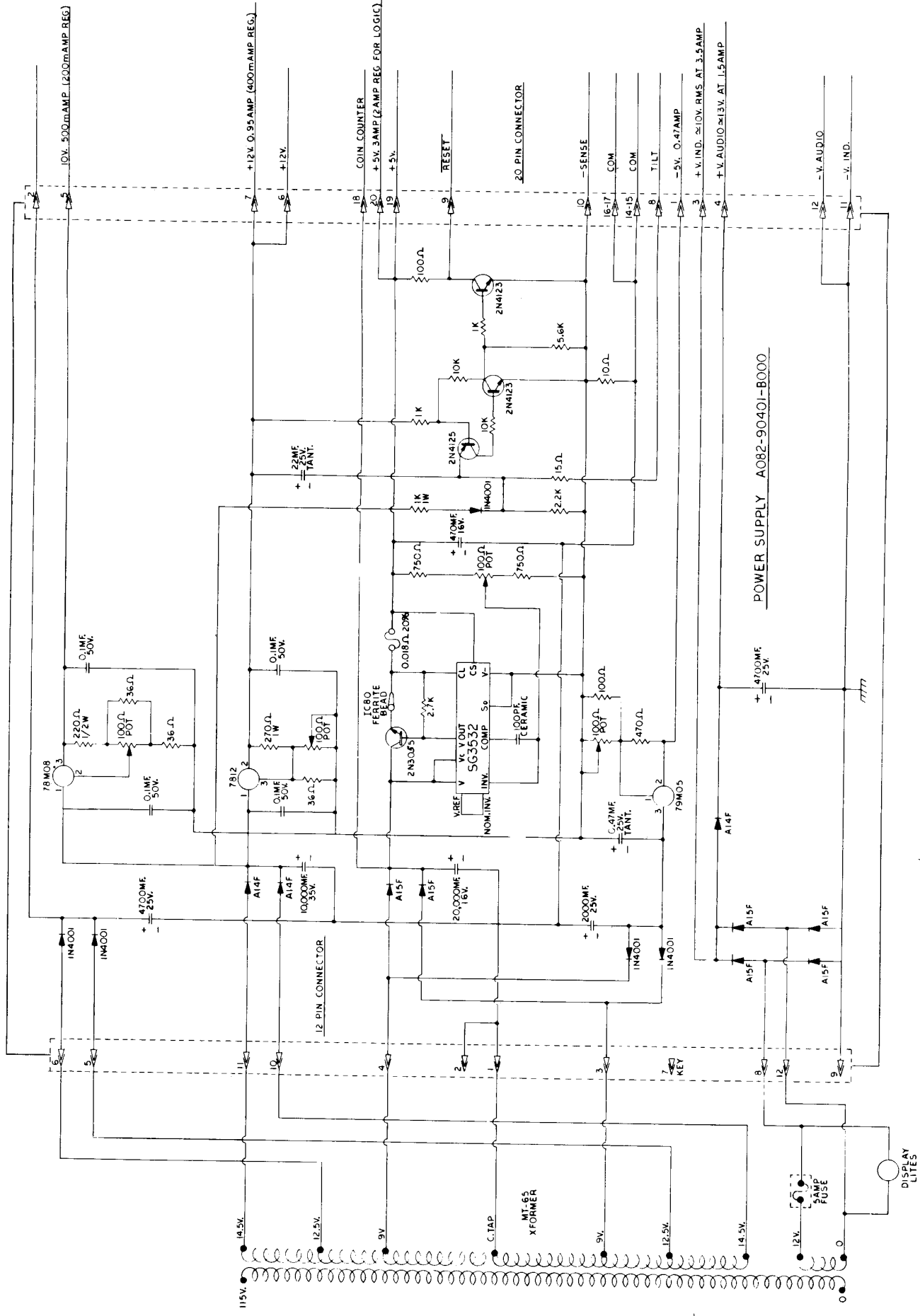
100Ω
470Ω

+ -
10ME
16V.
TANT.

79M05

78M08

A14F



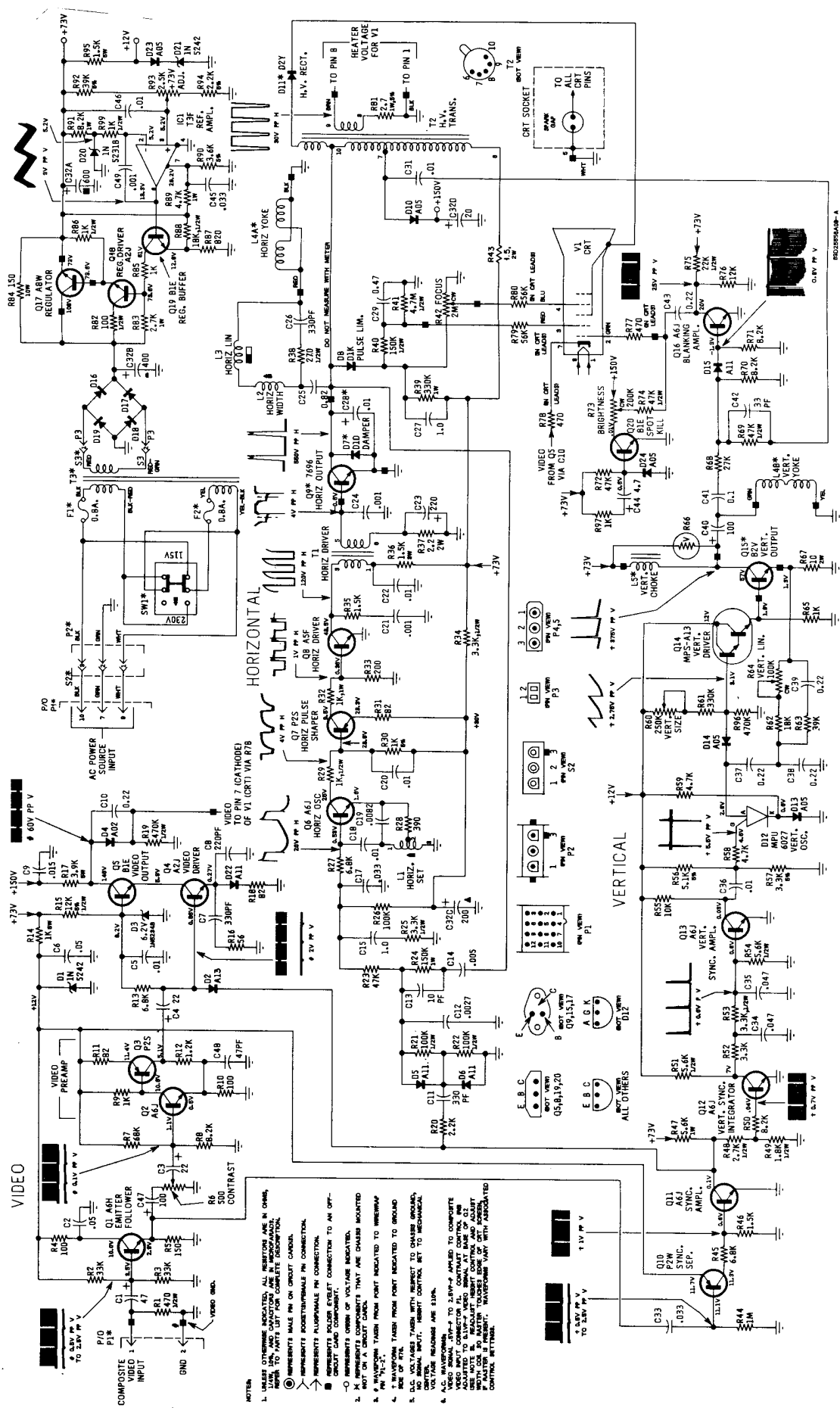
NOTES:
 1. IS COMMON CENTER TAP
 2. IS SPECIAL GROUND AND CAN BE CONNECTED TO COMMON CIRCUITS POWER SUPPLY TO BE USED WITH MOTHER BOARD P.C. A082-90402-X000

POWER SUPPLY

VIDEO

HORIZONTAL

VERTICAL



- NOTES
1. RESISTOR VALUES INDICATED. ALL RESISTORS ARE IN OHMS, UNLESS OTHERWISE INDICATED. ALL CAPACITORS ARE IN MICROFARADS, UNLESS OTHERWISE INDICATED. CAPACITORS WITH NO VALUE LISTED FOR COMPLETE DESCRIPTION.
 2. RESISTOR VALUES IN PARENTHESES ARE IN OHMS.
 3. RESISTOR VALUES IN SQUARE BRACKETS ARE IN OHMS.
 4. RESISTOR VALUES IN CIRCLES ARE IN OHMS.
 5. RESISTOR VALUES IN TRIANGLES ARE IN OHMS.
 6. RESISTOR VALUES IN DIAMONDS ARE IN OHMS.
 7. RESISTOR VALUES IN SQUARES ARE IN OHMS.
 8. RESISTOR VALUES IN CIRCLES WITH A DOT ARE IN OHMS.
 9. RESISTOR VALUES IN SQUARES WITH A DOT ARE IN OHMS.
 10. RESISTOR VALUES IN TRIANGLES WITH A DOT ARE IN OHMS.
 11. RESISTOR VALUES IN DIAMONDS WITH A DOT ARE IN OHMS.
 12. RESISTOR VALUES IN SQUARES WITH A DOT ARE IN OHMS.
 13. RESISTOR VALUES IN CIRCLES WITH A DOT ARE IN OHMS.
 14. RESISTOR VALUES IN SQUARES WITH A DOT ARE IN OHMS.
 15. RESISTOR VALUES IN TRIANGLES WITH A DOT ARE IN OHMS.
 16. RESISTOR VALUES IN DIAMONDS WITH A DOT ARE IN OHMS.
 17. RESISTOR VALUES IN SQUARES WITH A DOT ARE IN OHMS.
 18. RESISTOR VALUES IN CIRCLES WITH A DOT ARE IN OHMS.
 19. RESISTOR VALUES IN SQUARES WITH A DOT ARE IN OHMS.
 20. RESISTOR VALUES IN TRIANGLES WITH A DOT ARE IN OHMS.
 21. RESISTOR VALUES IN DIAMONDS WITH A DOT ARE IN OHMS.
 22. RESISTOR VALUES IN SQUARES WITH A DOT ARE IN OHMS.
 23. RESISTOR VALUES IN CIRCLES WITH A DOT ARE IN OHMS.
 24. RESISTOR VALUES IN SQUARES WITH A DOT ARE IN OHMS.
 25. RESISTOR VALUES IN TRIANGLES WITH A DOT ARE IN OHMS.
 26. RESISTOR VALUES IN DIAMONDS WITH A DOT ARE IN OHMS.
 27. RESISTOR VALUES IN SQUARES WITH A DOT ARE IN OHMS.
 28. RESISTOR VALUES IN CIRCLES WITH A DOT ARE IN OHMS.
 29. RESISTOR VALUES IN SQUARES WITH A DOT ARE IN OHMS.
 30. RESISTOR VALUES IN TRIANGLES WITH A DOT ARE IN OHMS.
 31. RESISTOR VALUES IN DIAMONDS WITH A DOT ARE IN OHMS.
 32. RESISTOR VALUES IN SQUARES WITH A DOT ARE IN OHMS.
 33. RESISTOR VALUES IN CIRCLES WITH A DOT ARE IN OHMS.
 34. RESISTOR VALUES IN SQUARES WITH A DOT ARE IN OHMS.
 35. RESISTOR VALUES IN TRIANGLES WITH A DOT ARE IN OHMS.
 36. RESISTOR VALUES IN DIAMONDS WITH A DOT ARE IN OHMS.
 37. RESISTOR VALUES IN SQUARES WITH A DOT ARE IN OHMS.
 38. RESISTOR VALUES IN CIRCLES WITH A DOT ARE IN OHMS.
 39. RESISTOR VALUES IN SQUARES WITH A DOT ARE IN OHMS.
 40. RESISTOR VALUES IN TRIANGLES WITH A DOT ARE IN OHMS.
 41. RESISTOR VALUES IN DIAMONDS WITH A DOT ARE IN OHMS.
 42. RESISTOR VALUES IN SQUARES WITH A DOT ARE IN OHMS.
 43. RESISTOR VALUES IN CIRCLES WITH A DOT ARE IN OHMS.
 44. RESISTOR VALUES IN SQUARES WITH A DOT ARE IN OHMS.
 45. RESISTOR VALUES IN TRIANGLES WITH A DOT ARE IN OHMS.
 46. RESISTOR VALUES IN DIAMONDS WITH A DOT ARE IN OHMS.
 47. RESISTOR VALUES IN SQUARES WITH A DOT ARE IN OHMS.
 48. RESISTOR VALUES IN CIRCLES WITH A DOT ARE IN OHMS.
 49. RESISTOR VALUES IN SQUARES WITH A DOT ARE IN OHMS.
 50. RESISTOR VALUES IN TRIANGLES WITH A DOT ARE IN OHMS.

M5000-155, M7000-155 - Diagram Schematic

