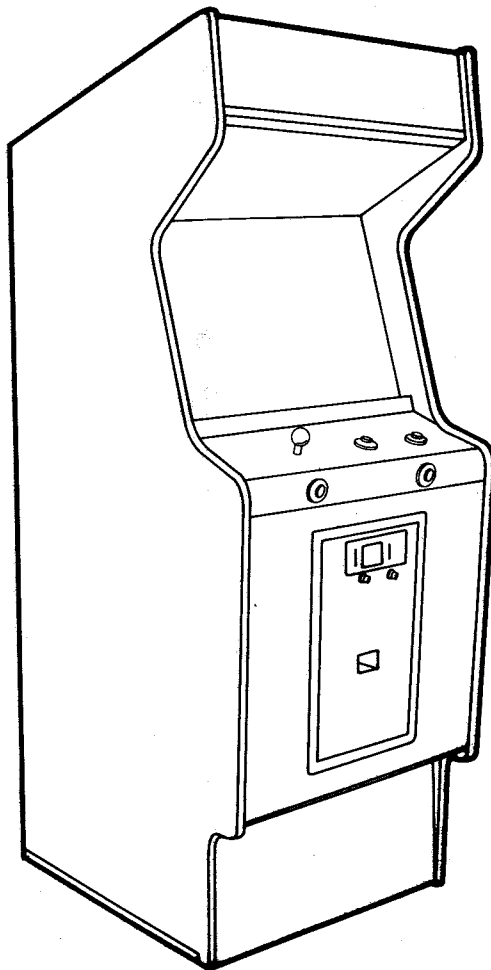


SEGA

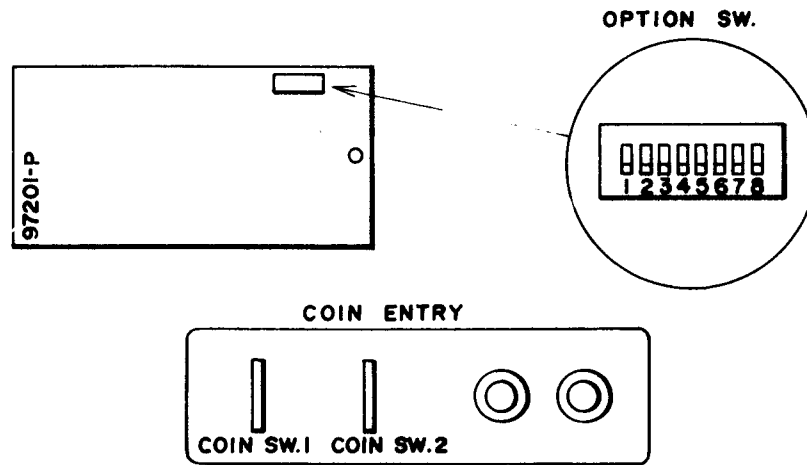
n - SUB

Service Manual & Parts Catalog



SEGA ENTERPRISES LTD.

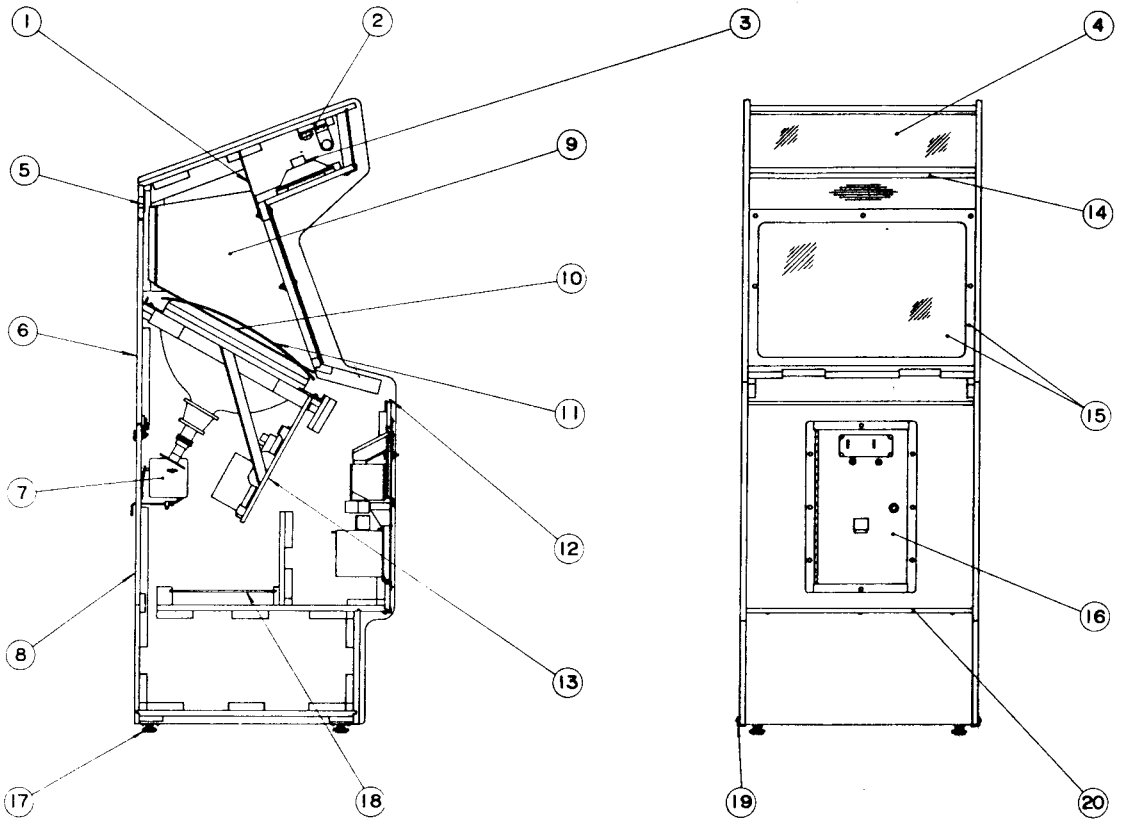
3. IC Board (97201-P) Adjustments Coin Calculator



		ON: 0 OFF: X							
		OPTION							
		1	2	3	4	5	6	7	8
COIN SW. 1	1 Coin 1 Play	0	X	X					
	2 Coins 1 Play	X	0	X					
	3 Coins 1 Play	0	0	X					
	4 Coins 1 Play	X	X	0					
	5 Coins 1 Play	0	X	0					
	6 Coins 1 Play	X	0	0					
	7 Coins 1 Play	0	0	0					
COIN SW. 2	1 Coin 1 Play	0	X	X					0
	2 Coins 1 Play	X	0	X					0
	3 Coins 1 Play	0	0	X					0
	4 Coins 1 Play	X	X	0					0
	5 Coins 1 Play	0	X	0					0
	6 Coins 1 Play	X	0	0					0
	7 Coins 1 Play	0	0	0					0
COIN SW. 2	1 Coin 1 Play				0	X	X	X	
	1 Coin 2 Plays				X	0	X	X	
	1 Coin 3 Plays				0	0	X	X	
	1 Coin 4 Plays				X	X	0	X	
	1 Coin 5 Plays				0	X	0	X	
	1 Coin 6 Plays				X	0	0	X	
	1 Coin 7 Plays				0	0	0	X	

NOT USED

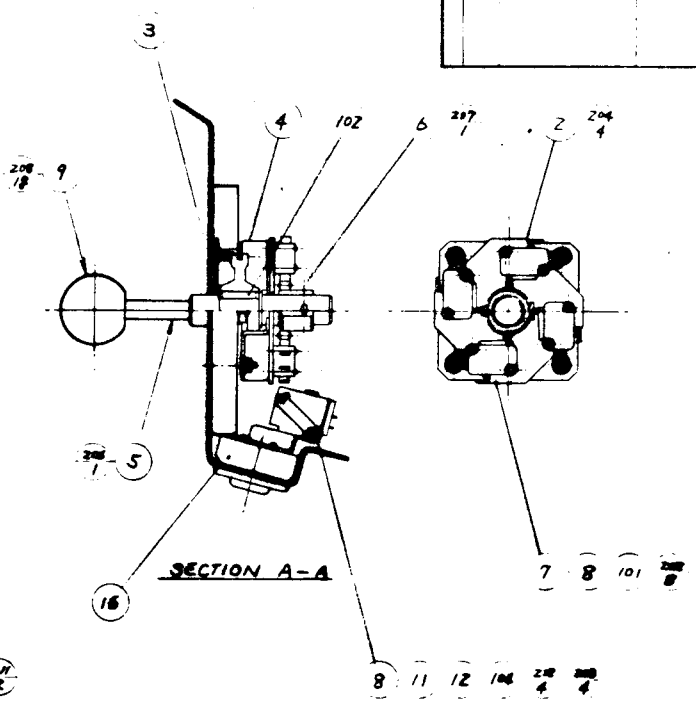
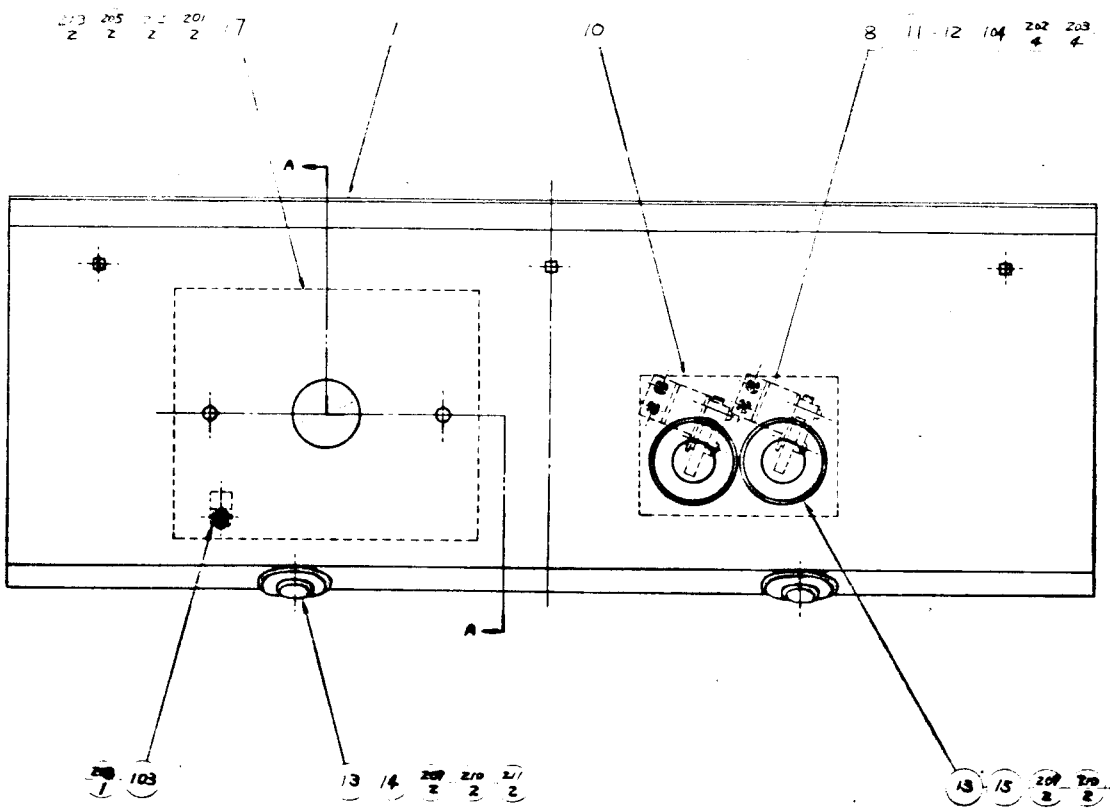
Cabinet Accessory Assy



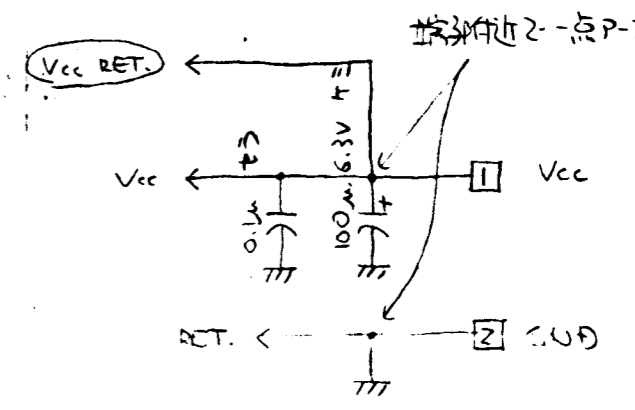
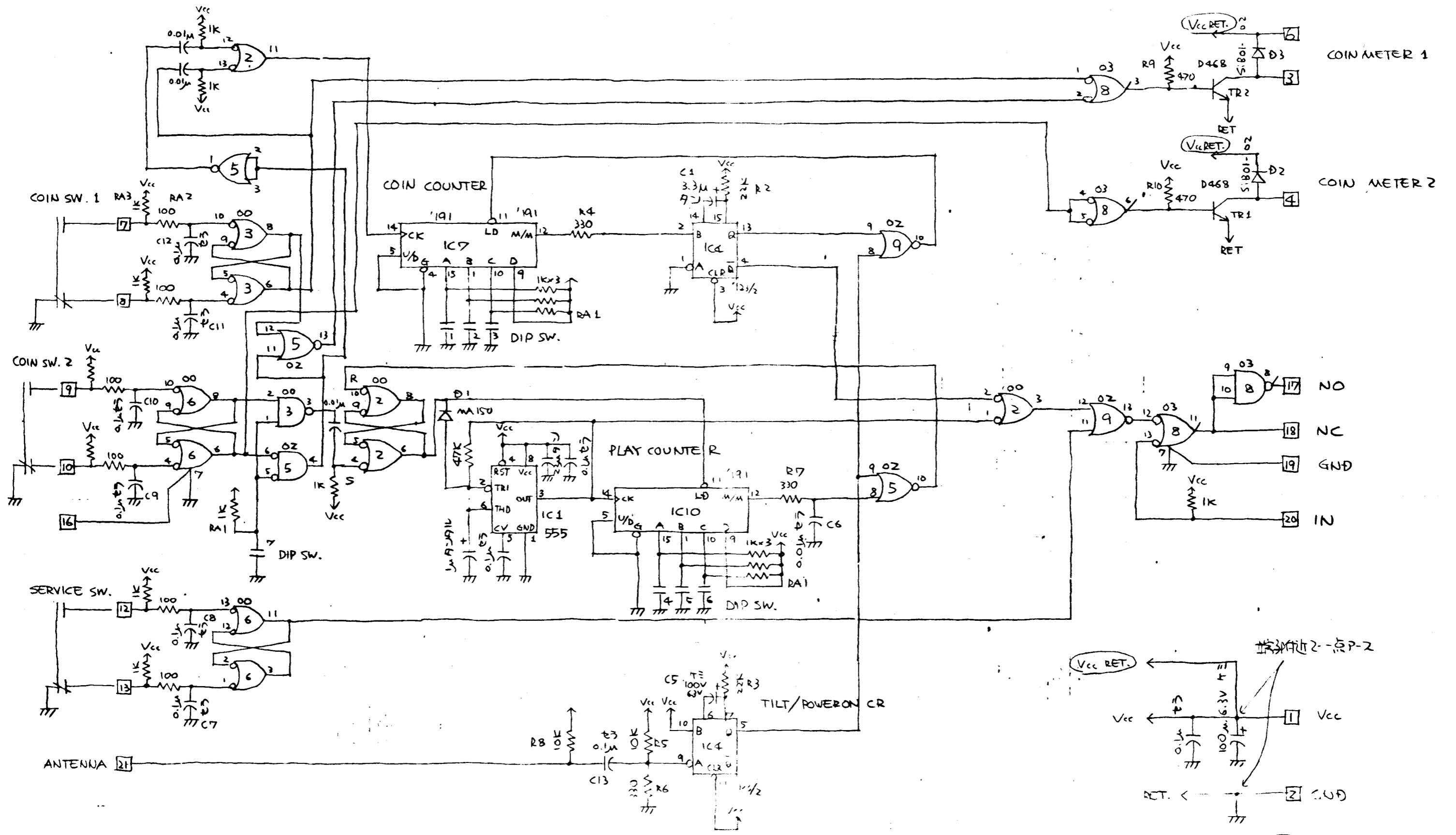
- 1 MR-1015 Light Baffle
- 2 NS-1039 FLUORESCENT LIGHT ASSY,15W
S-90201 Fluorescent Light,15W
- 3 MR-1009 Speaker Guard Plate
S-97336 Speaker,230 x 150mm,8Ω,6W
- 4 NS-1028 Top Panel
- 5 TA-1065X Nut Plate
PT-0015 Net
- 6 MR-1002 Back Door,Upper
- 7 MR-1019 JUNCTION BOX ASSY
NS-1037 JUNCTION BOX ASSY,200~240V
(See Page 14 for Detail)
- 8 NS-1038 Back Door,Lower
- 9 NS-1034 Scenery,Right
NS-1035 Scenery,Left
10 NS-1033 Scenery,Rear
- 11 MR-1024 TV Mask
- 12 MR-1005 Trim,Upper
- 13 97232-P CCLOR DISPLAY ASSY,20TYPE,120V
97397-P CCLOR DISPLAY ASSY,20TYPE,100V
- 14 MR-1007 Ornament Frame
- 15 MR-1013 Window Panel
MR-1014 Bezel Frame
- 16 MR-1200 COIN CHUTE DOOR & CASH BOX ASSY
(See Page 16 for Detail)
- 17 M-163-4(L) Leg Adjuster
Leg Adjuster Bracket
- 18 97399-P-16 IC BOARD ASSY, N-SUB
- 19 NS-1036 Corner Protector
- 20 MR-1006 Trim,Lower

A B C D E F G H I J K L

12	
13	
14	
15	
16	
17	
18	
19	
20	
21	
22	
23	
24	
25	
26	
27	
28	
29	
30	
31	
32	
33	
34	
35	
36	
37	
38	
39	
40	
41	
42	
43	
44	
45	
46	
47	
48	
49	
50	
51	
52	
53	
54	
55	
56	
57	
58	
59	
60	
61	
62	
63	
64	
65	
66	
67	
68	
69	
70	
71	
72	
73	
74	
75	
76	
77	
78	
79	
80	
81	
82	
83	
84	
85	
86	
87	
88	
89	
90	
91	
92	
93	
94	
95	
96	
97	
98	
99	
100	



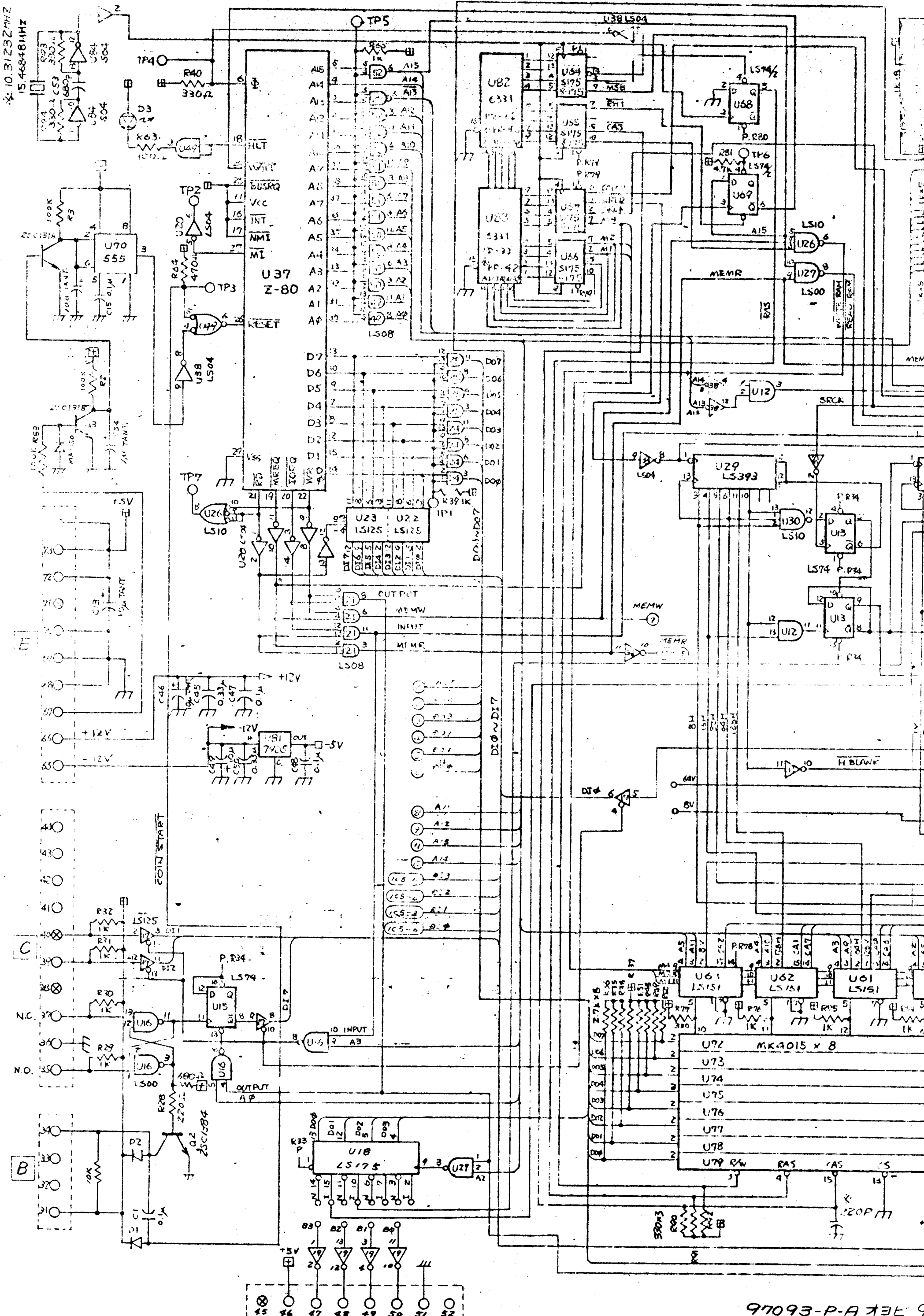
SEGA ENTERPRISES LTD.		THIS DRAWING SHALL IN NO WAY BE COPIED TO BE OBTAINED ON DEMAND	
LIMITS UNLESS OTHERWISE SPECIFIED		3RD A.T. DIM. DRILLING	APP. ASS. Y. CK. D. DRW.
SCALE 1/2		DRW. IN	
INTERNAL	HEAT TREAT	FINISH	REMARK

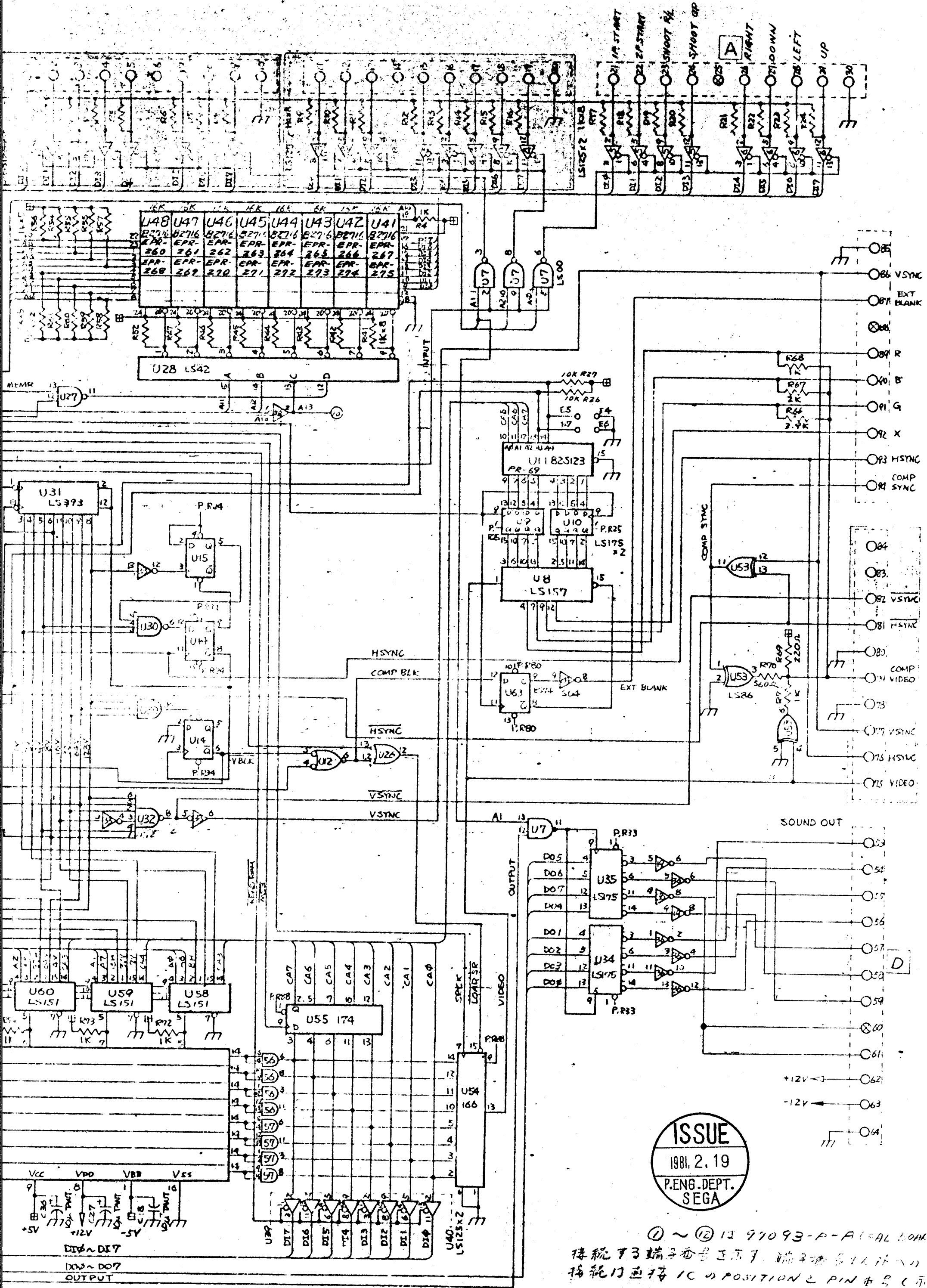


ISSUE
 1981. 2. 19
 P.ENG. DEPT.
 SEGA

△ C9 0.01VOID
 △ 1/17-30
 1/22-30
 1/23-30

97201-P COIN CALCULATOR, LOGIC DIAGRAM





ISSUE
1981. 2. 19
P. ENG. DEPT.
SEGA

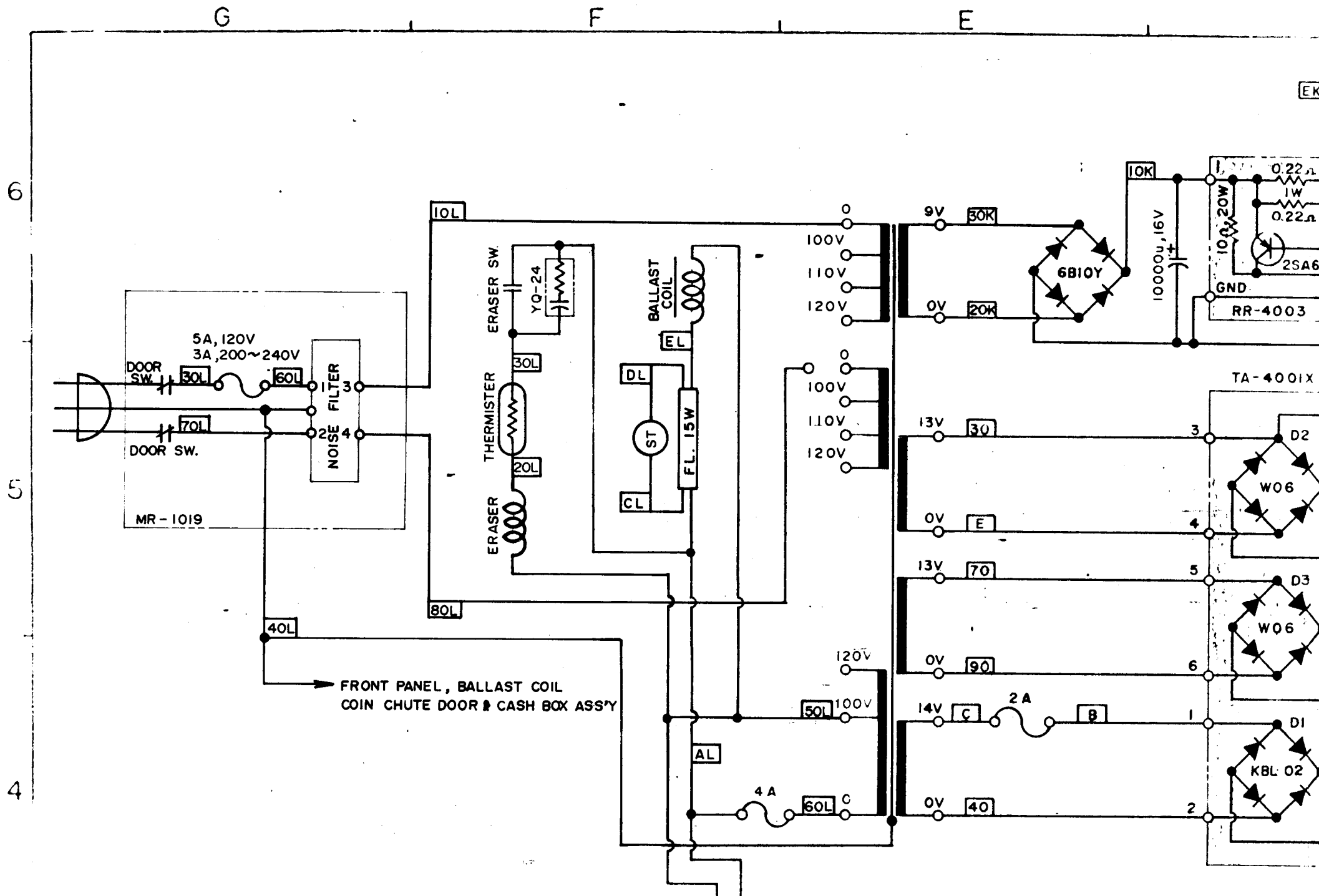
① ~ ⑫ は 97093-P-A (PAL BOARD) に
接続する端子番号を示す。端子番号は IC の
接続位置と PIN 番号 (示す)

97394-P-16 (W/PAL) (EPR-260~EPR-267)
97399-P-16 (W/O PAL) (EPR-268~EPR-275)

IC BOARD ASSY, N-SUB (UPRIGHT MODEL)

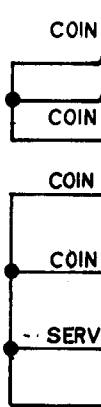
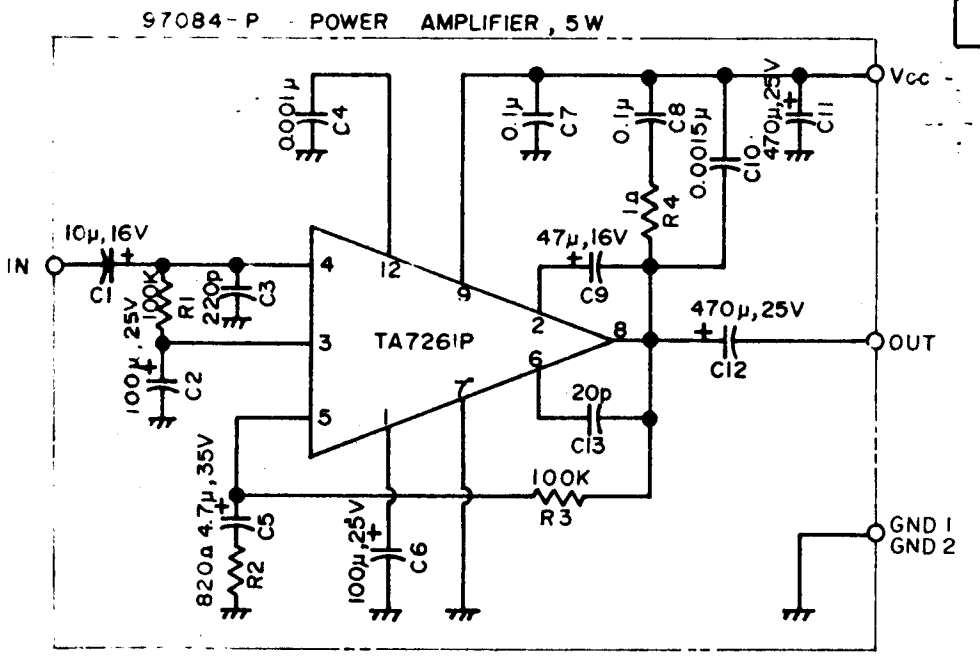
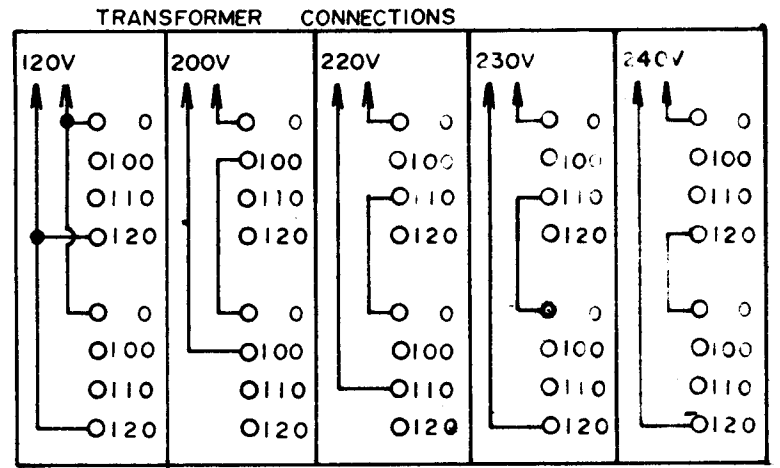
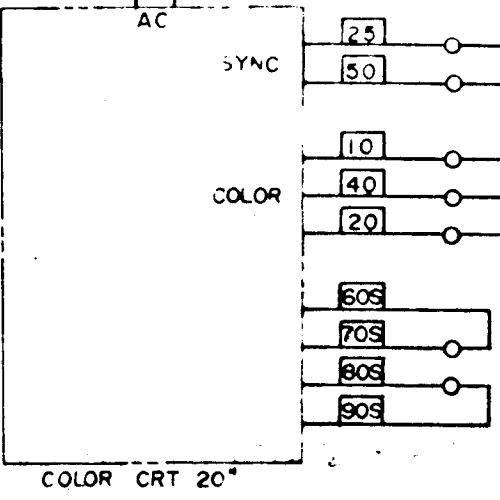
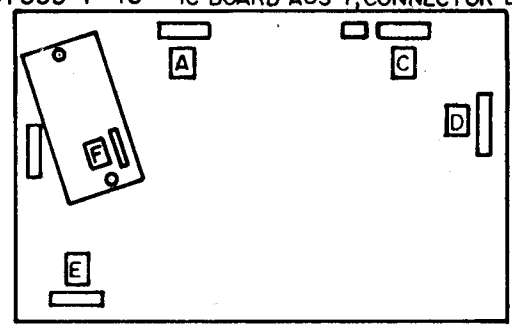
97269-P-B (配線) INST. NO. 407

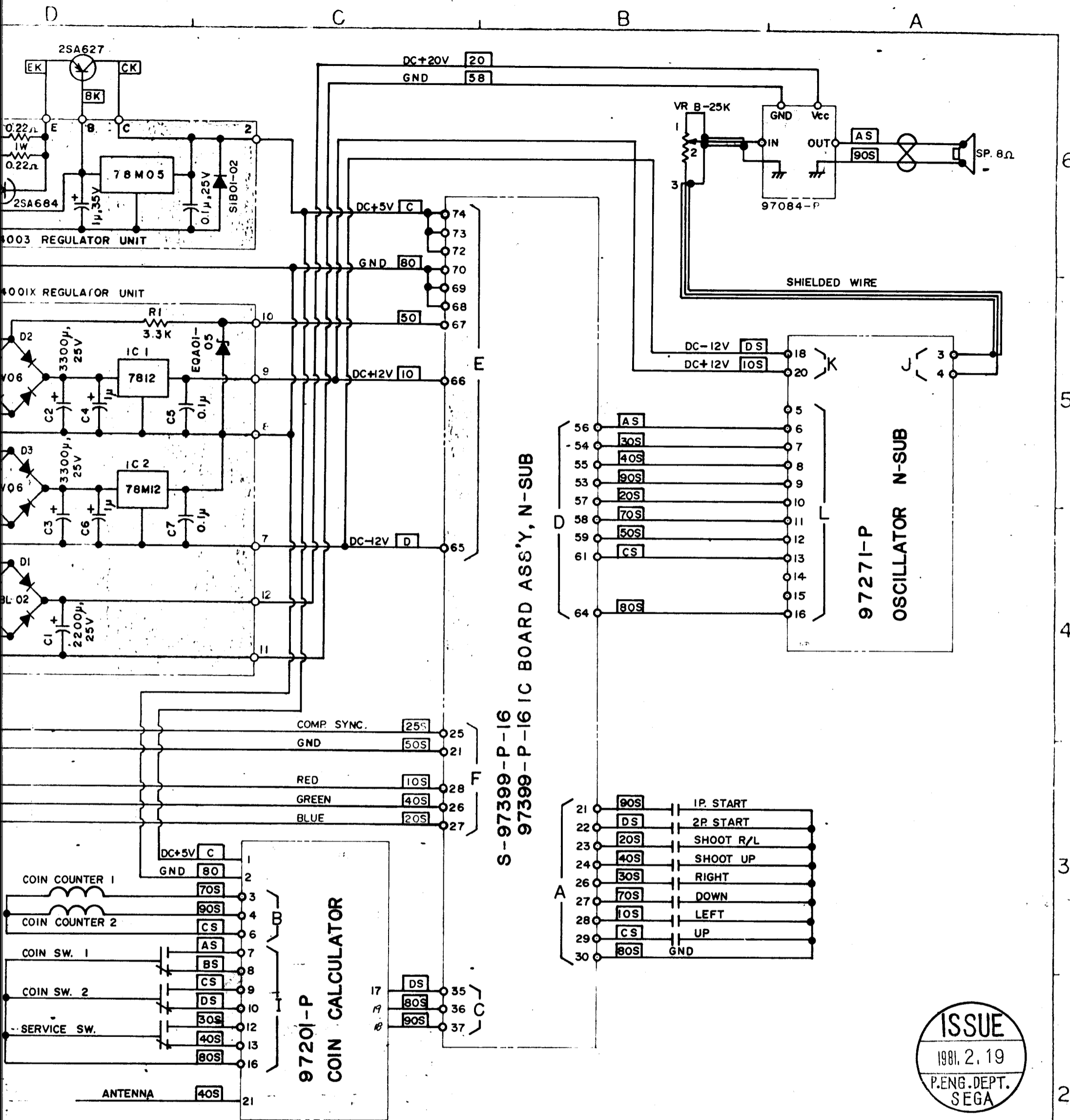
INSTRUCTIONS, N-SUB = 31L.



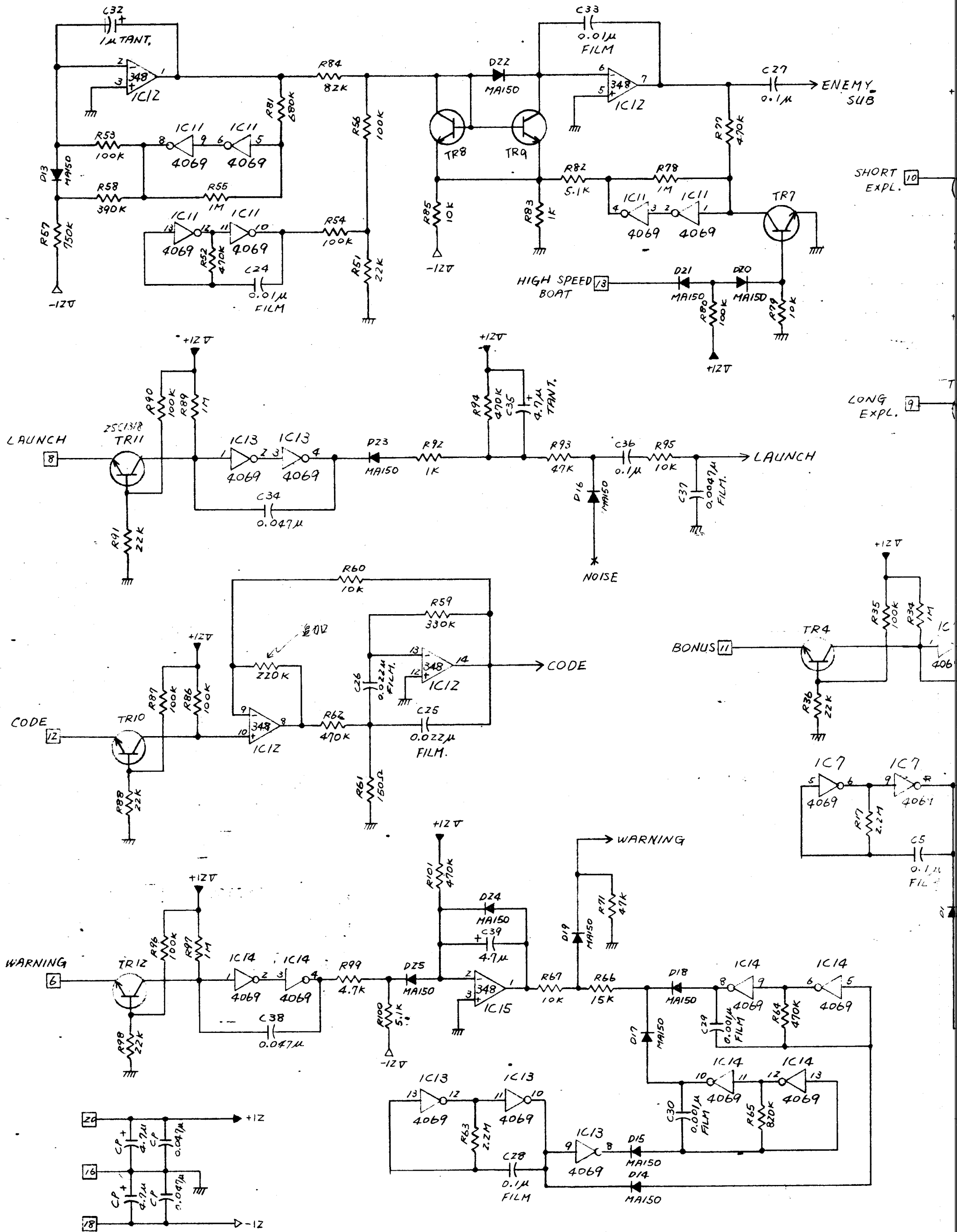
FRONT PANEL, BALLAST COIL
COIN CHUTE DOOR & CASH BOX ASS'Y

S-97399-P-16
97399-P-16 IC BOARD ASS'Y, CONNECTOR LOCATION



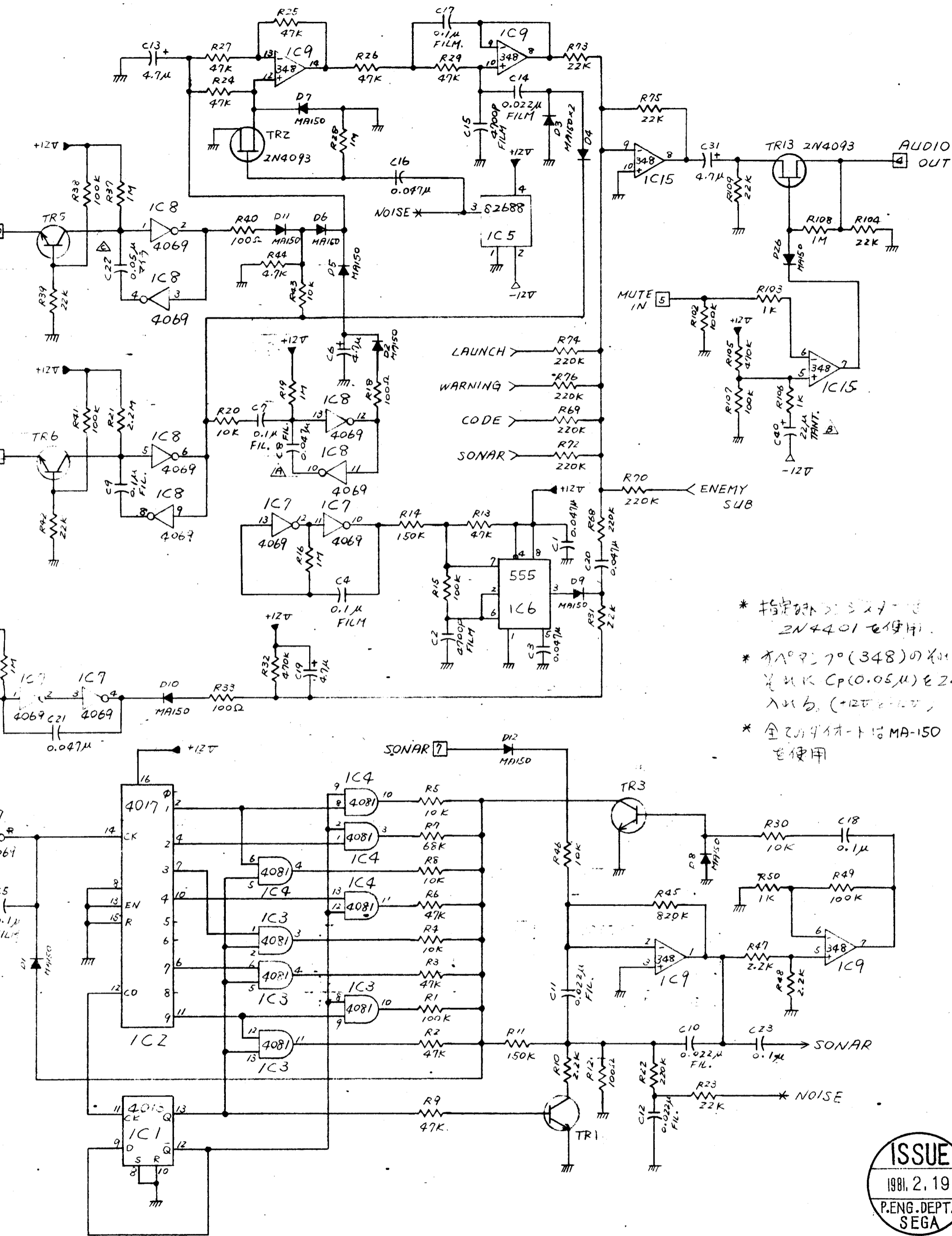


VOLTAGE	110-120V/200-240V	100V		CIRCLE IN THE SWITCH SYMBOLS INDICATES OPERATION BY A MOTOR	
STAND-BY	W	140W			
MAXIMUM	USA 140W/1A/140V			MAKE AND BREAK SWITCH	
POWERS				NORMALLY CLOSED SWITCH OPEN WHEN ENERGIZED	
9 8 7 6 5 4 3 2 1 NEW A B C D E F G H I J K L M N O P Q R S T U V W X Y Z 1 2 3 4 5 6 7 8 9 10 11 12 13 14 15 16 17 18 19 20 21 22 23 24 25 26 27 28 29 30 SW RELAY APPROPRIATIONS USED	POWER CONSUMPTION	KING WIRE (100%) LARGE WIRE JUMPER WIRE LIGHT GREEN PURPLE BROWN SKY BLUE PINK GRAY BLACK CHANGE MAROON WHITE GREEN YELLOW BLUE RED		NORMALLY OPEN SWITCH CLOSED WHEN ENERGIZED	
	ALTERATION		SWITCH SYMBOLS		
			APR		
			ASS	1/12-80	
			CKD	1/12-80	
			DRW	1/12-80	
	SEGA N-SUB (100-240V) (50-60HZ)			SGB-2844	
	DESCRIPTION			T W C CHART NO	
				381-1	
				SCHEMATIC DIAGRAM NO	



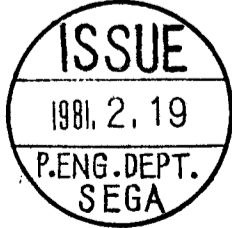
97271-P

OSCILL



- * 指定値より27-10
2N4401を使用
- * 入力7°(348)の出力
は1K Cp(0.05μ)を24
入出力(+12Vと-12V)
- * 全2014材料はMA-150
を使用

LLATOR N-SUB



- △ C22 WAS 27 1/2-80 ~~27-10~~
- △ C40 WAS 43 1/2-80 ~~43~~
- △ C8 WAS 23 1/2-80 ~~23~~

10.14.1981
10/8-80
10/12-80