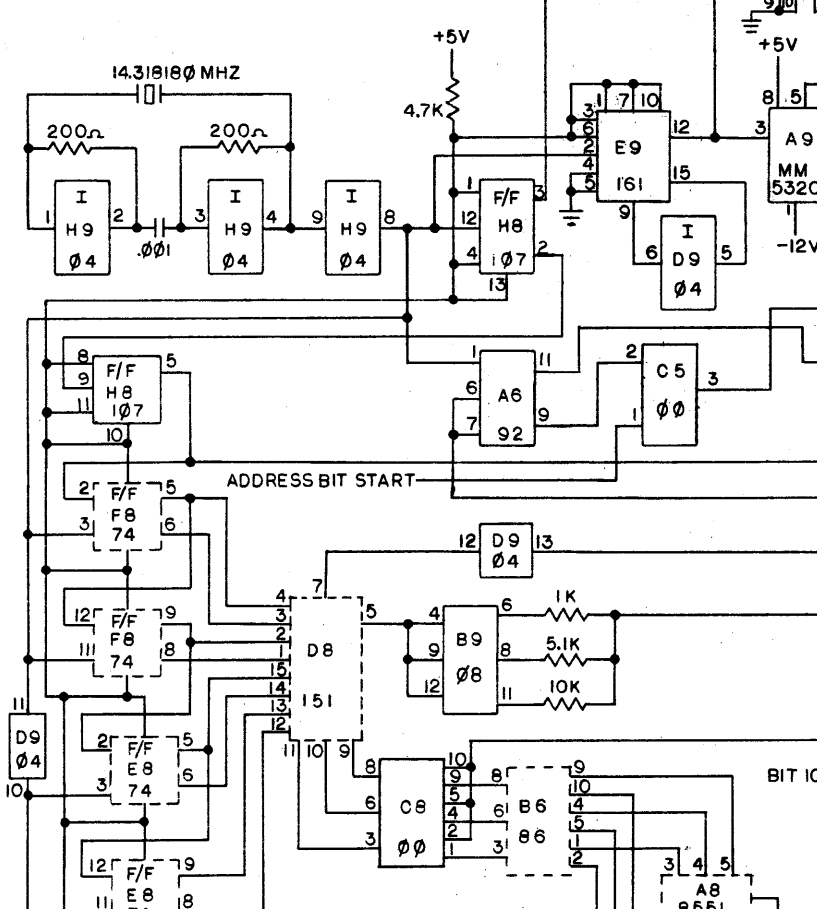


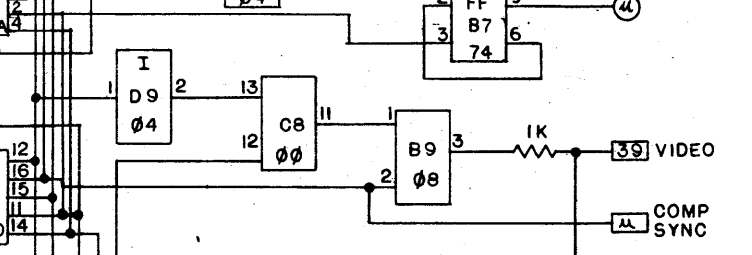
REVISIONS			
ISSUE	DESCRIPTION	DATE	APPROVAL

SYNC GENERATION

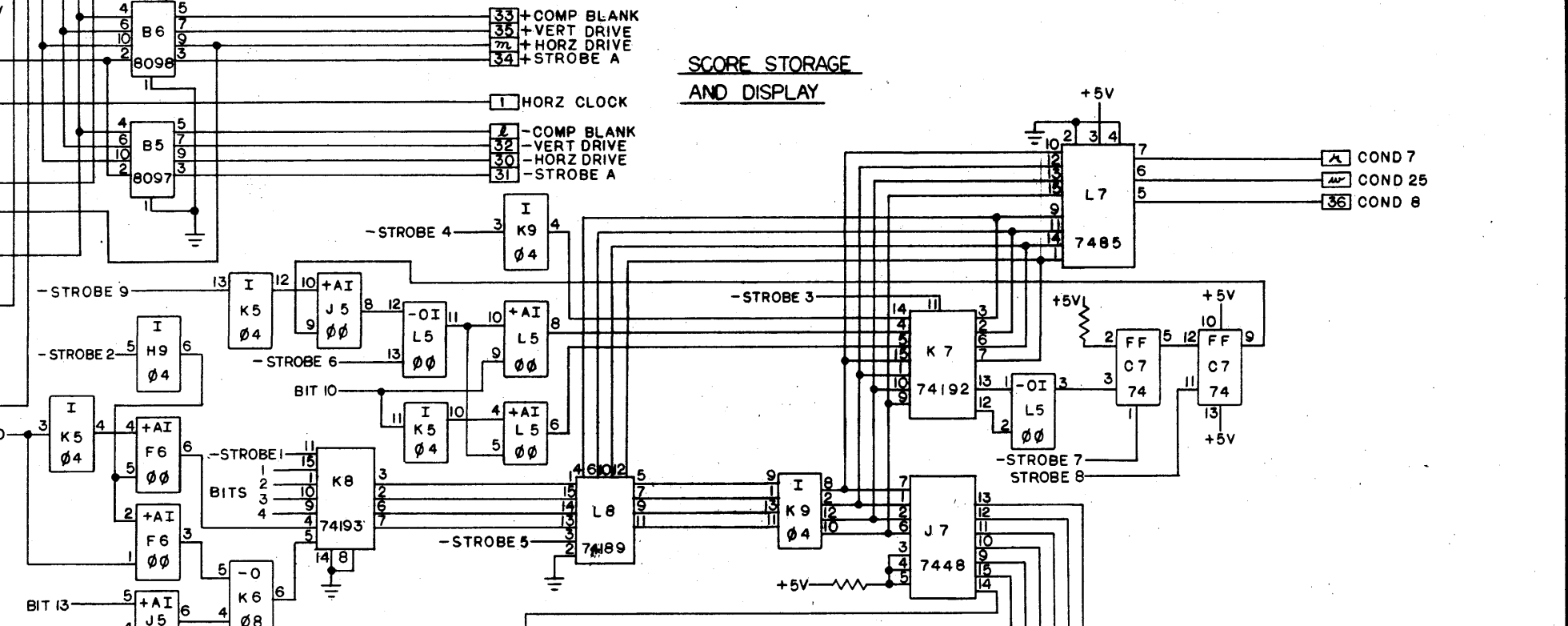


NOTE: COMPONENTS WITH DASHED LINES LOADED ONLY FOR COLOR.

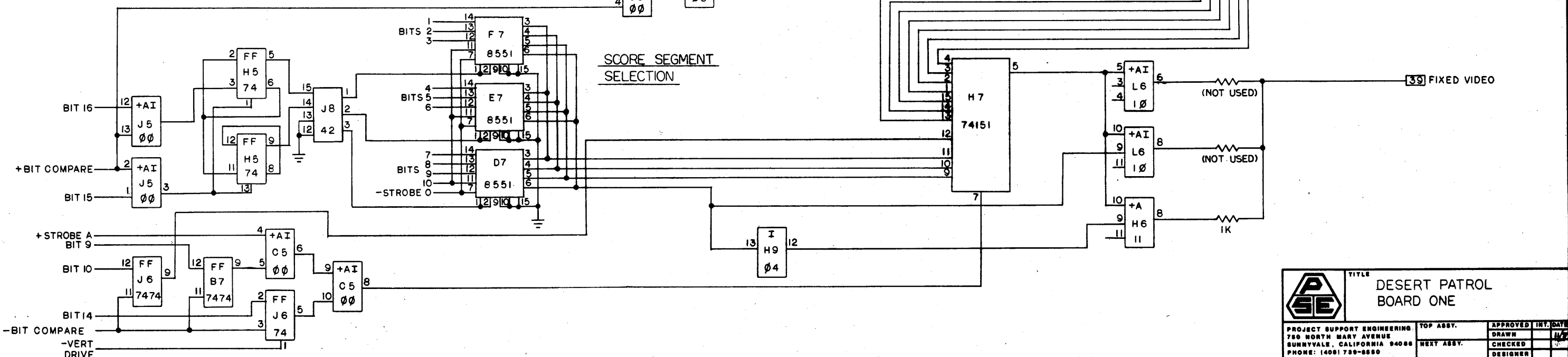
INTERLACE



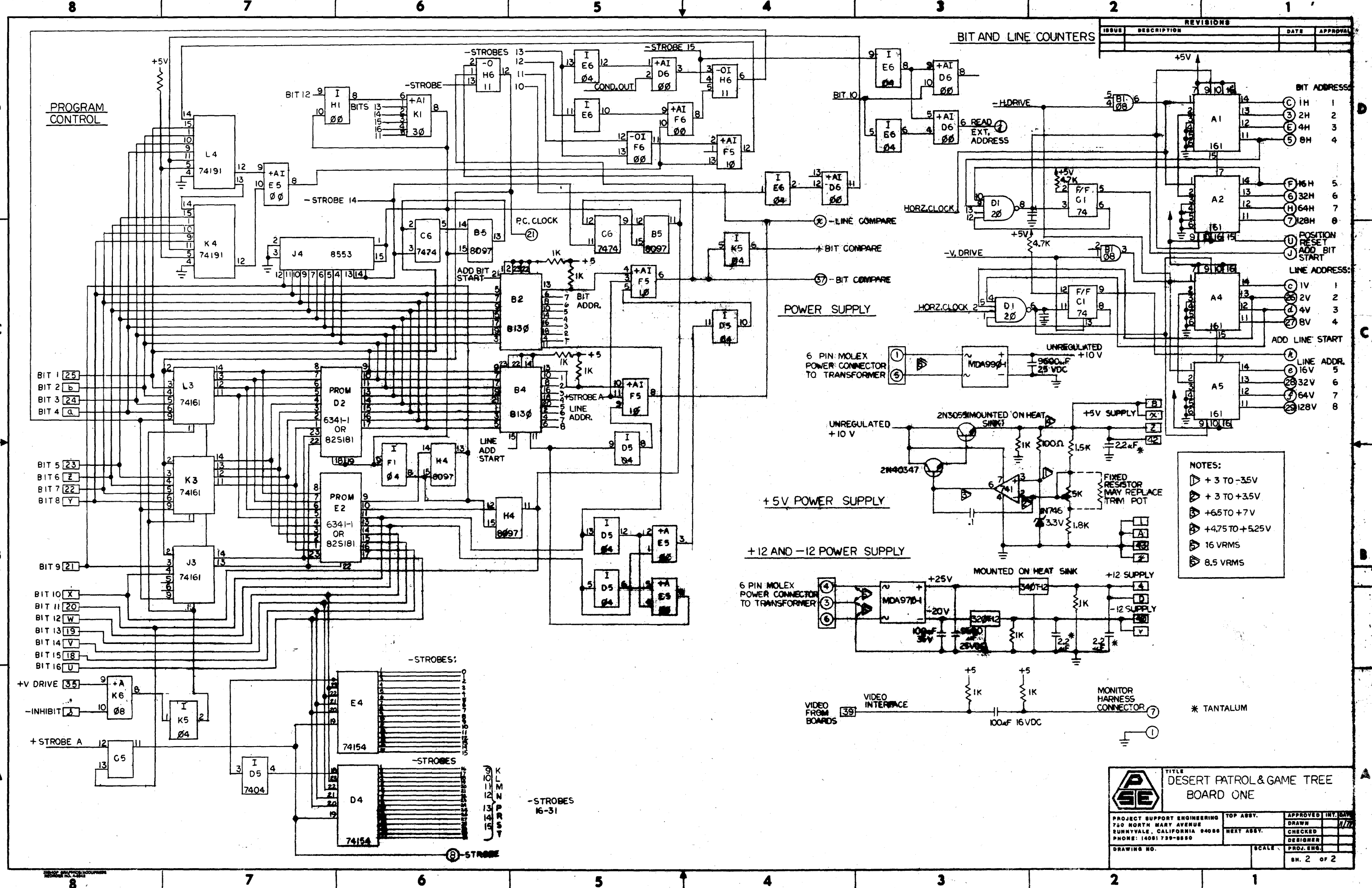
SCORE STORAGE AND DISPLAY



SCORE SEGMENT SELECTION



	TITLE		DESERT PATROL BOARD ONE	
	PROJECT SUPPORT ENGINEERING	TOP ASBY.	APPROVED	INT. DATE
750 NORTH MARY AVENUE	SUNNYVALE, CALIFORNIA 94088	PHONE: (408) 739-8850	DRAWN	DATE
DRAWING NO.	SCALE	PROJ. ENG.	CHECKED	
			DESIGNER	
				SN. 1 OF 2



REVISIONS			
ISSUE	DESCRIPTION	DATE	APPROVAL

- NOTES:
- ▷ + 3 TO -3.5V
 - ▷ + 3 TO +3.5V
 - ▷ +6.5 TO +7V
 - ▷ +4.75 TO +5.25V
 - ▷ 16 VRMS
 - ▷ 8.5 VRMS

BIT ADDRESS:	
1	1H
2	2H
3	4H
4	8H
5	16H
6	32H
7	64H
8	128H

LINE ADDRESS:	
1	1V
2	2V
3	4V
4	8V
5	16V
6	32V
7	64V
8	128V

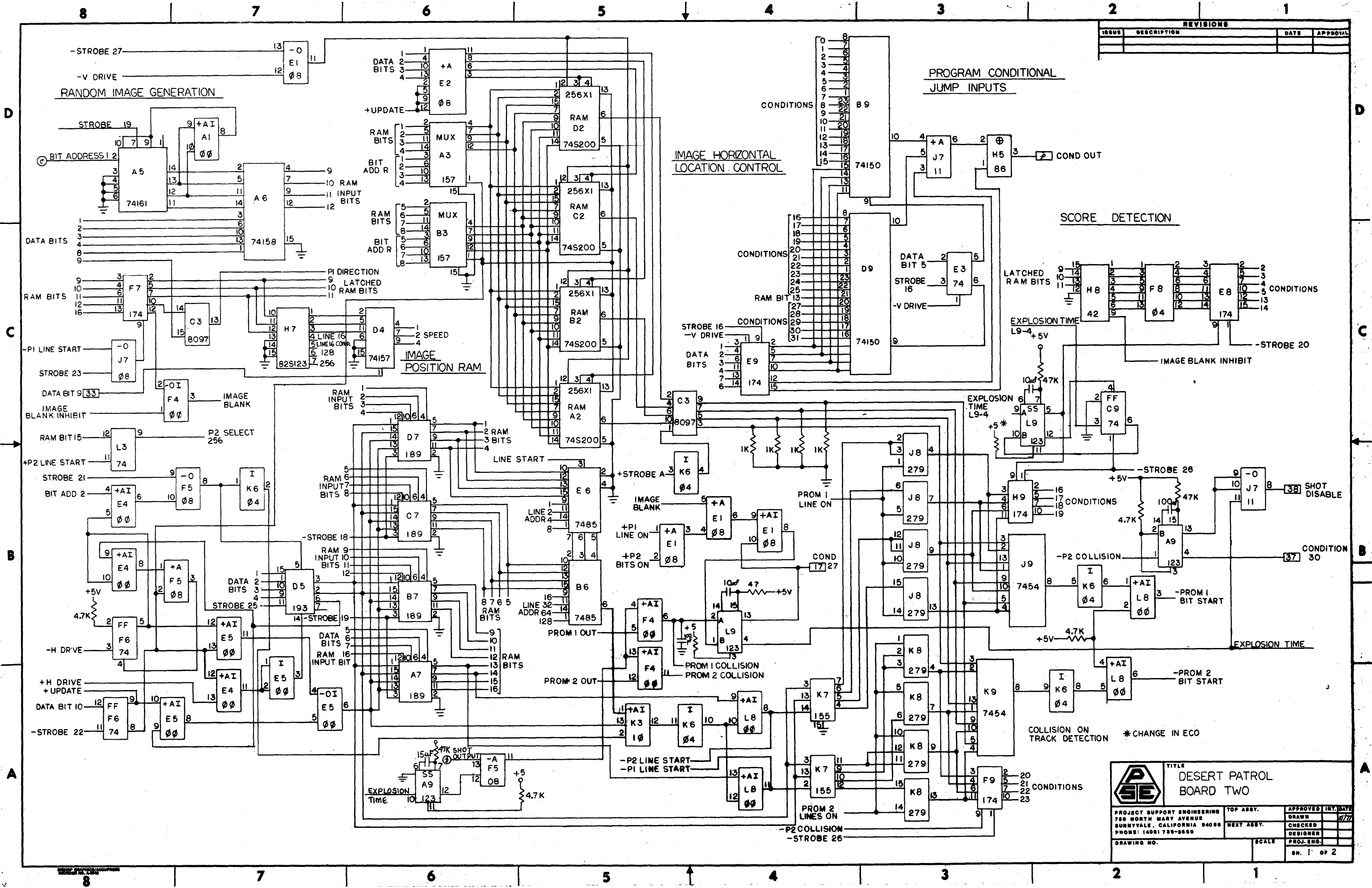
DESERT PATROL & GAME TREE BOARD ONE

PROJECT SUPPORT ENGINEERING 750 NORTH MARY AVENUE SUNNYVALE, CALIFORNIA 94086 PHONE: 14081 739-8850	TOP ASBY. NEXT ASBY.	APPROVED INY. MAN. DRAWN CHECKED DESIGNED PROJ. ENG.
--	-------------------------	--

DRAWING NO. _____ SCALE _____

SH. 2 OF 2

REVISIONS			
ISSUE	DESCRIPTION	DATE	APPROVAL



DESERT PATROL BOARD TWO

PROJECT SUPPORT ENGINEERING
 750 NORTH MARY AVENUE
 SUNNYVALE, CALIFORNIA 94088
 PHONE: (408) 739-8650

TOP ASSY. _____
 NEXT ASSY. _____
 SCALE _____

APPROVED INT. DATE _____
 DRAWN _____
 CHECKED _____
 DESIGNED _____
 PROJ. ENG. _____

DRAWING NO. _____ SN. 1 OF 2

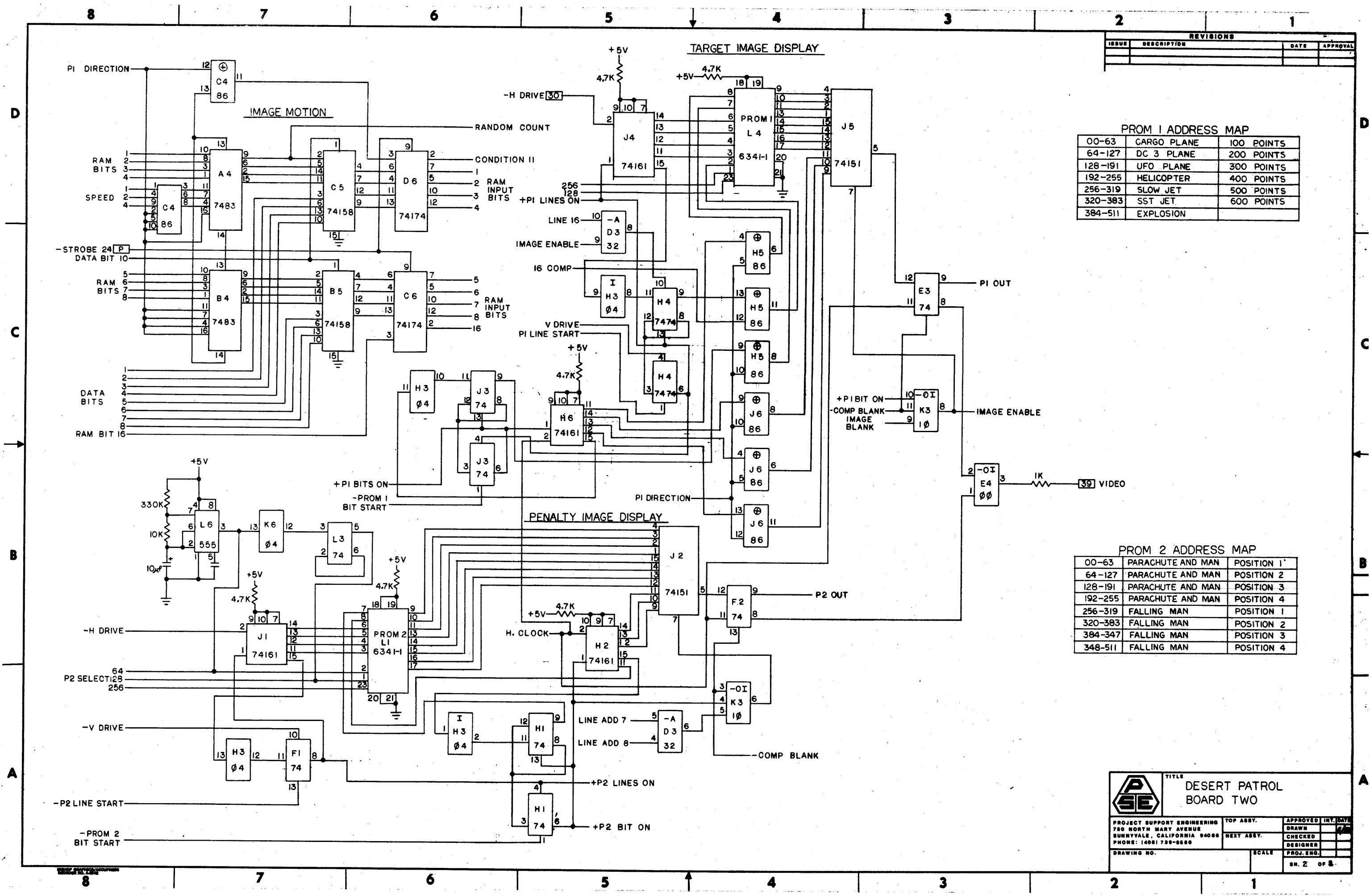
REVISIONS			
ISSUE	DESCRIPTION	DATE	APPROVAL

PROM 1 ADDRESS MAP

00-63	CARGO PLANE	100 POINTS
64-127	DC 3 PLANE	200 POINTS
128-191	UFO PLANE	300 POINTS
192-255	HELICOPTER	400 POINTS
256-319	SLOW JET	500 POINTS
320-383	SST JET	600 POINTS
384-511	EXPLOSION	

PROM 2 ADDRESS MAP

00-63	PARACHUTE AND MAN	POSITION 1
64-127	PARACHUTE AND MAN	POSITION 2
128-191	PARACHUTE AND MAN	POSITION 3
192-255	PARACHUTE AND MAN	POSITION 4
256-319	FALLING MAN	POSITION 1
320-383	FALLING MAN	POSITION 2
384-347	FALLING MAN	POSITION 3
348-511	FALLING MAN	POSITION 4



DESERT PATROL BOARD TWO

PROJECT SUPPORT ENGINEERING
750 NORTH MARY AVENUE
SUNNYVALE, CALIFORNIA 94086
PHONE: (408) 739-8650

TOP ASSY. _____
DRAWN _____
NEXT ASSY. _____
CHECKED _____
DESIGNER _____
PROJ. ENG. _____

DRAWING NO. _____ SCALE _____
SN. 2 OF 8

8

7

6

5

4

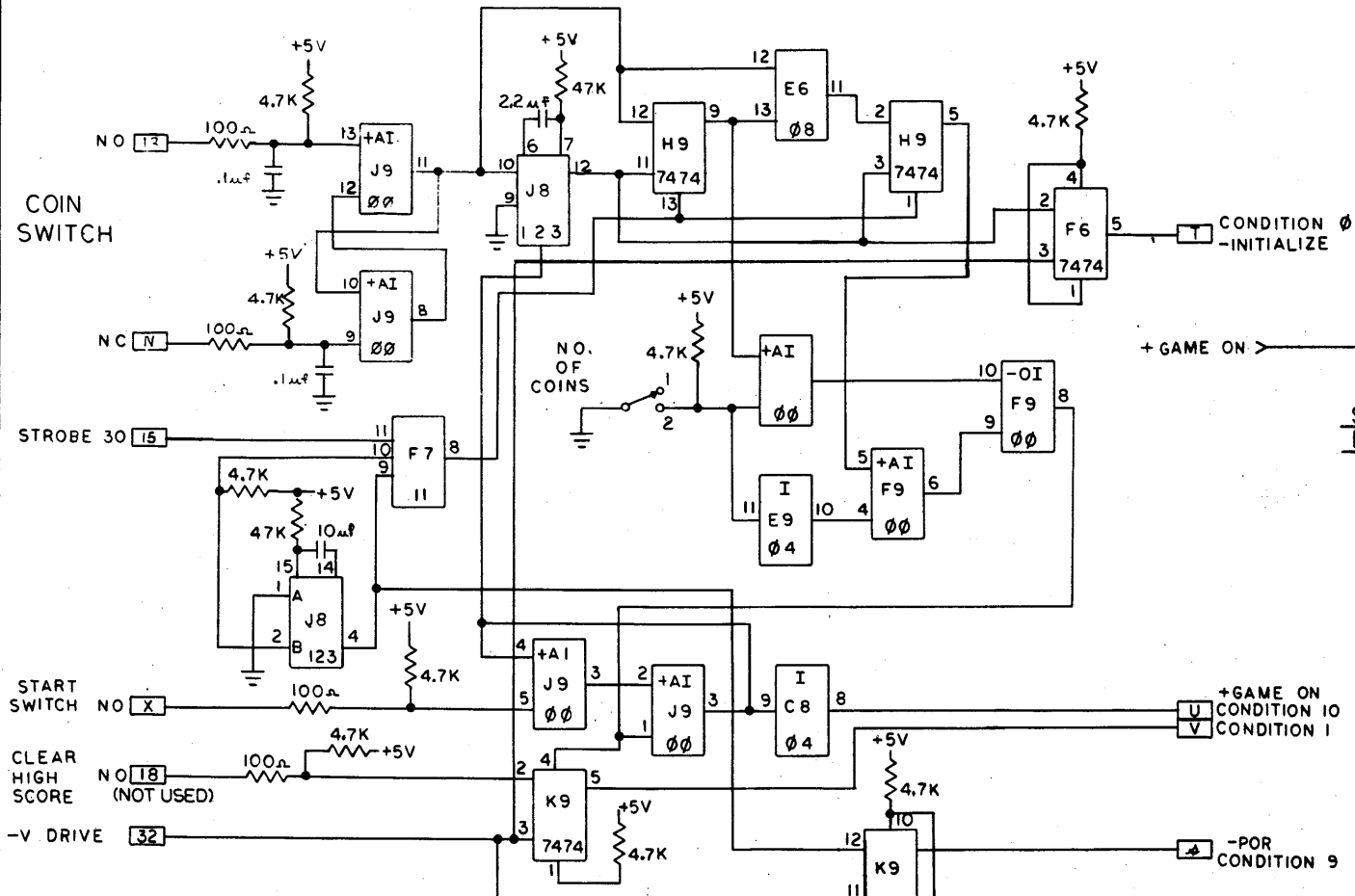
3

2

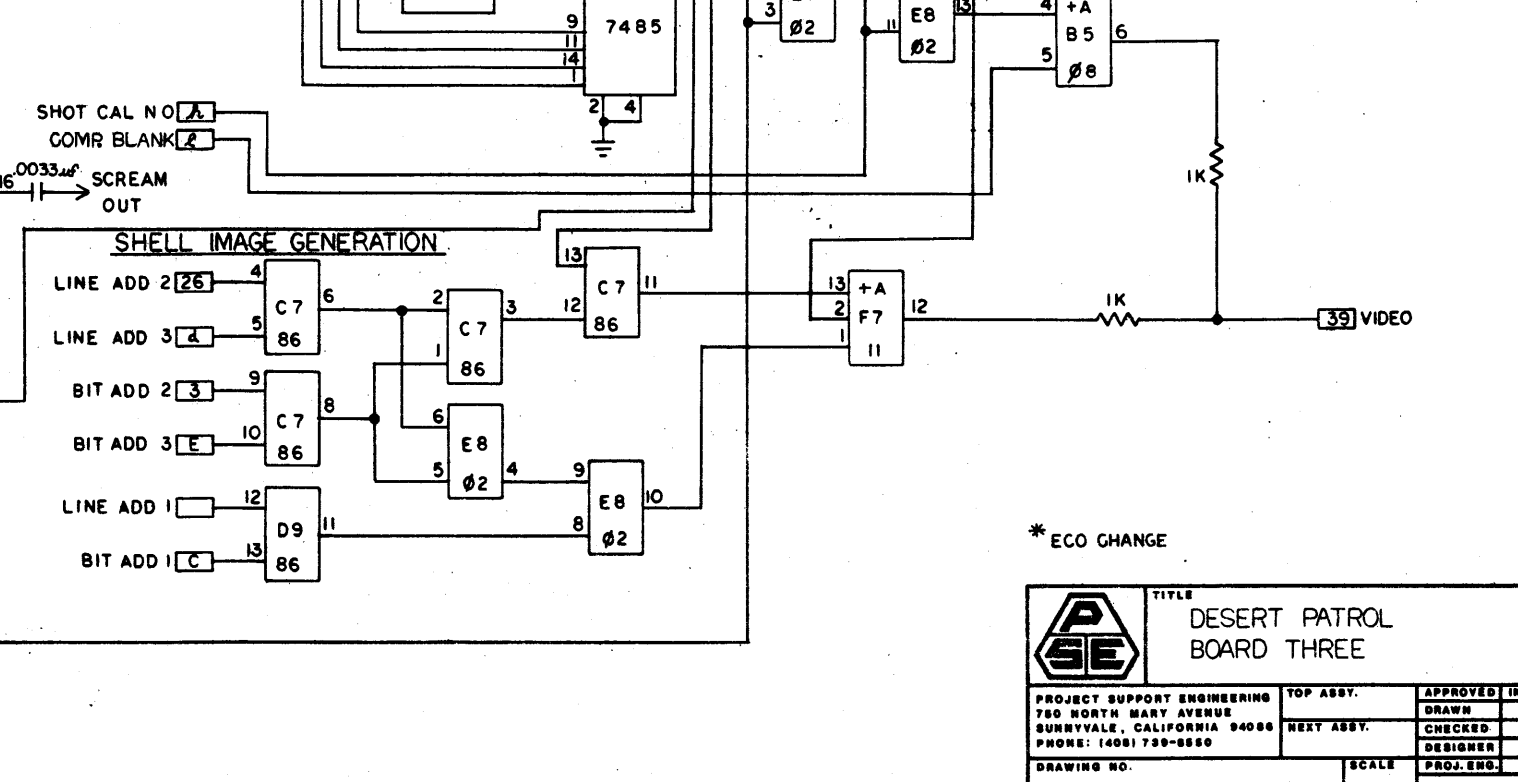
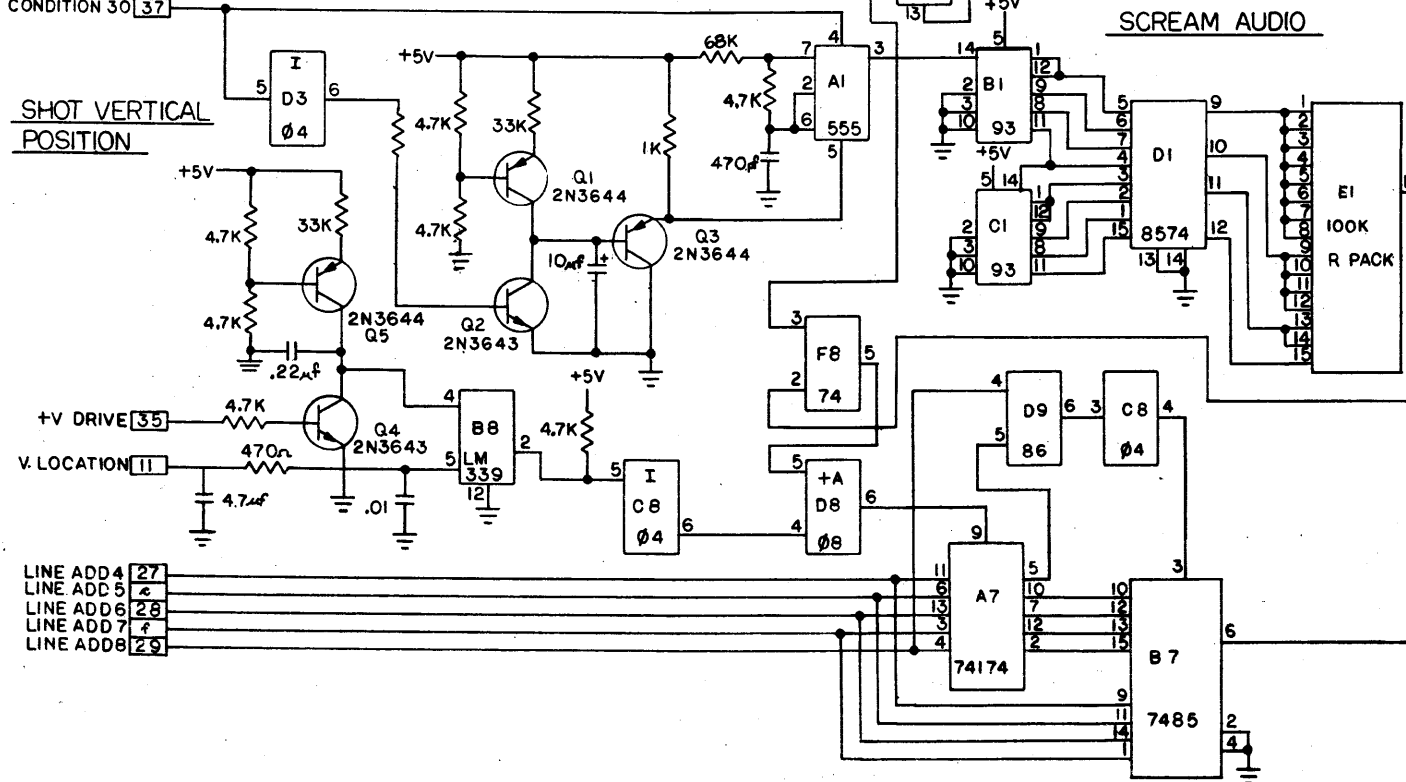
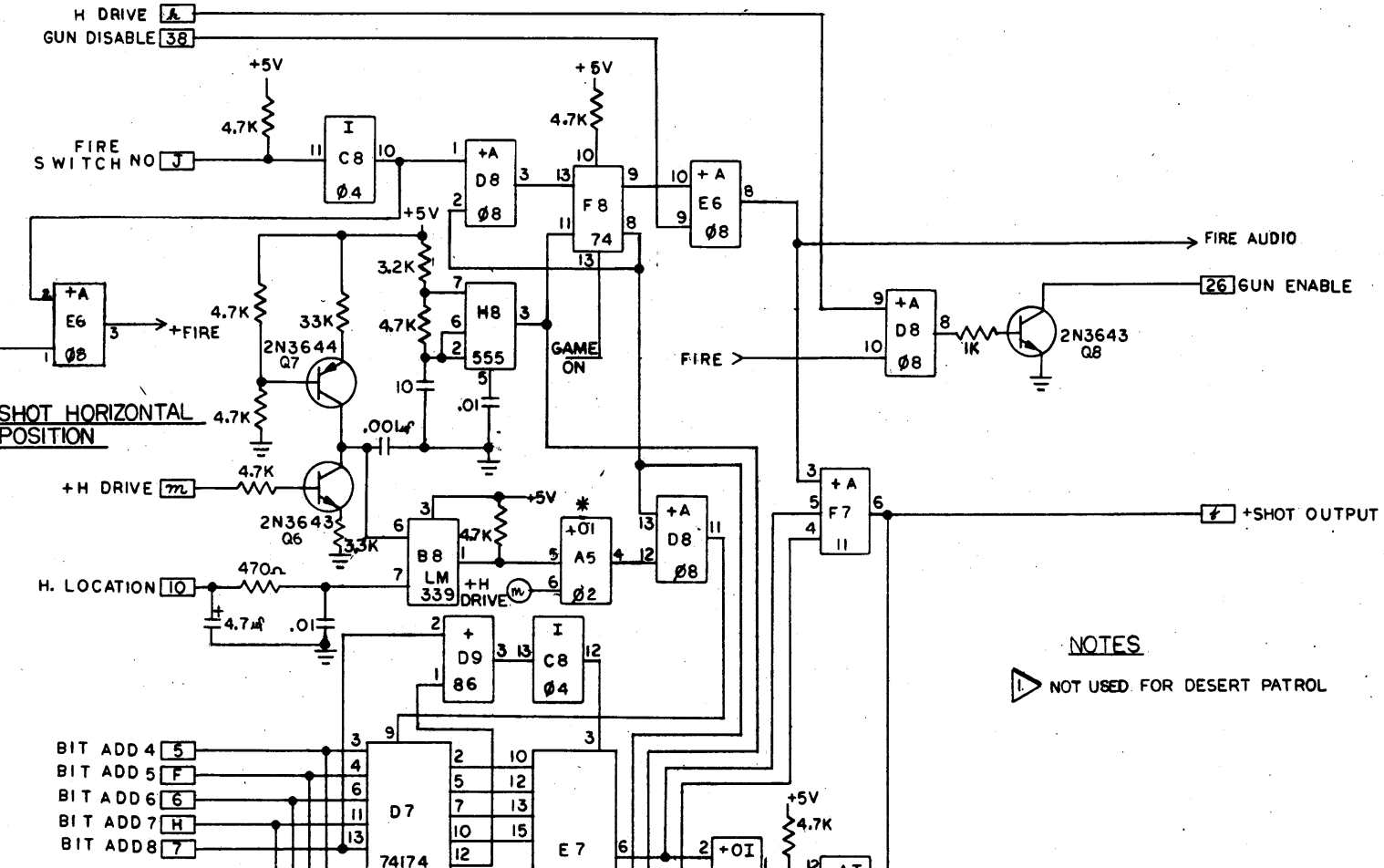
1

REVISIONS			
NO.	DESCRIPTION	DATE	APPROVAL

COIN IN CONTROL



SHOT GENERATION

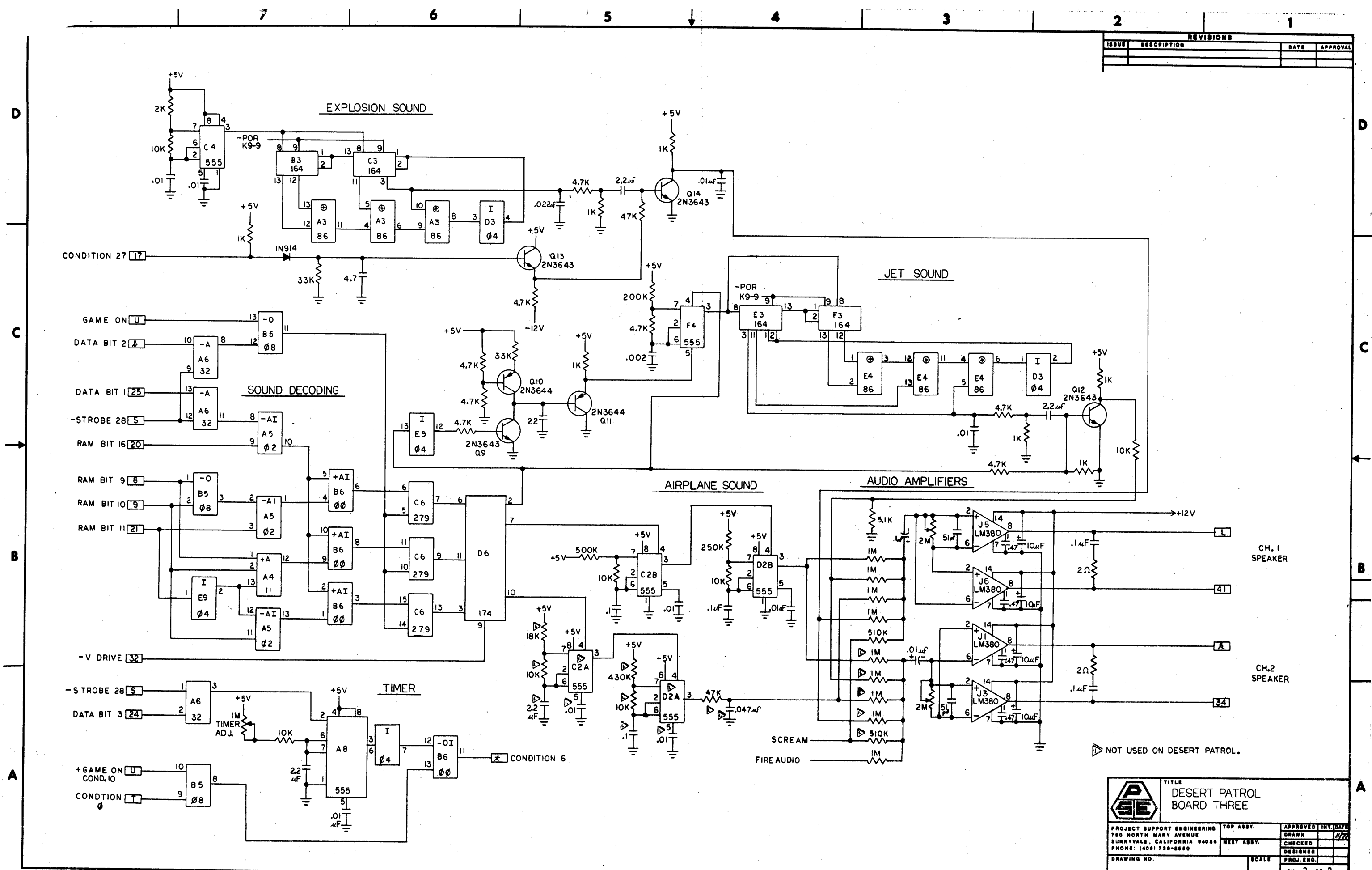


NOTES
 1. NOT USED FOR DESERT PATROL

* ECO CHANGE

		TITLE DESERT PATROL BOARD THREE	
PROJECT SUPPORT ENGINEERING 750 NORTH MARY AVENUE SUNNYVALE, CALIFORNIA 94086 PHONE: (408) 739-8550	TOP ASSY. NEXT ASSY.	APPROVED: [Signature] DRAWN: [Signature] CHECKED: [Signature] DESIGNER: [Signature] PROJ. ENG.	INT. DATE: 1/72 SCALE:
DRAWING NO.		SCALE	
		SN. / OF 2	

REVISIONS			
ISSUE	DESCRIPTION	DATE	APPROVAL



NOT USED ON DESERT PATROL.

		TITLE DESERT PATROL BOARD THREE	
PROJECT SUPPORT ENGINEERING 780 NORTH MARY AVENUE SUNNYVALE, CALIFORNIA 94086 PHONE: (408) 739-8880	TOP ASST. NEXT ASST.	APPROVED DRAWN CHECKED DESIGNER PROJ. ENG.	INT. DATE 11/76
DRAWING NO.		SCALE	
8		SH. 2 OF 2	