



# BLADES OF STEEL

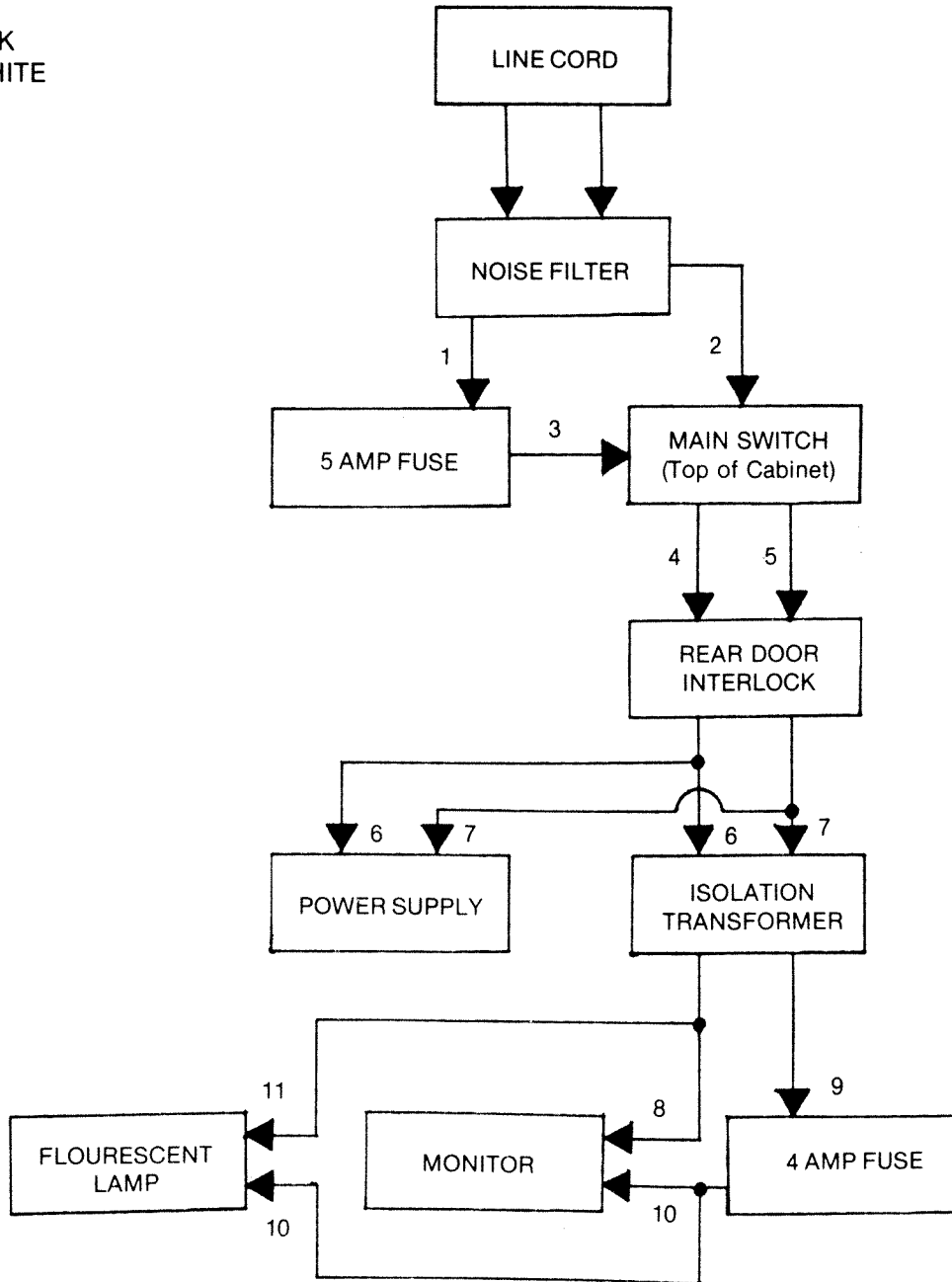
BLADES OF STEEL is a registered trademark of Konami Inc. • 1987 Konami Inc.

 KONAMI® is a trademark of Konami Industry Co., Ltd.



# BLADES OF STEEL: AC FLOW CHART

1. GREEN/YELLOW
2. BLACK
3. RED
4. BLUE
5. BROWN
6. RED/BLACK
7. BLACK/WHITE
8. WHITE
9. GREEN
10. VIOLET
11. ORANGE



# BLADES OF STEEL: WIRING HARNESS

Solder Side ← | → Parts Side

**WIRE COLOR KEY:**

BLACK	GND	A	1	GND	BLACK
BLACK	GND	B	2	GND	BLACK
RED	+ 5V DC	C	3	+ 5V DC	RED
RED	+ 5V DC	D	4	+ 5V DC	RED
		E	5		
ORANGE	+ 12V DC	F	6	+ 12V DC	ORANGE
	*KEY	H	7	*KEY	
BROWN/YELLOW	COIN COUNTER 2	J	8	COIN COUNTER 1	GREEN/GRAY
		K	9		
BROWN/WHITE	SPEAKER	L	10	SPEAKER	YELLOW/BROWN
		M	11		
WHITE/GREEN	VIDEO GREEN	N	12	VIDEO RED	RED/WHITE
WHITE	VIDEO SYNC	P	13	VIDEO BLUE	BLUE/WHITE
		R	14	VIDEO GROUND	BLACK
		S	15		
VIOLET/WHITE	COIN 2	T	16	COIN 1	BLUE/BROWN
RED/GREEN	2P START	U	17	1P START	PINK/YELLOW
		V	18		
		W	19		
		X	20		
		Y	21		
BLACK/YELLOW	2P ATTACK	Z	22	1P ATTACK	PINK/WHITE
ORANGE/GRAY	2P JUMP	a	23	1P JUMP	GREEN/BROWN
BLUE/GRAY	2P PUNCH	b	24	1P PUNCH	GREEN/YELLOW
		c	25		
		d	26		
BLACK	GND	e	27	GND	BLACK
BLACK	GND	f	28	GND	BLACK

(BASE COLOR/LINE COLOR)

(\* FOR TRACK BALL SEE PAGE 4)

## DIP SWITCH NO. 1 SETTINGS

### 1. COIN SWITCH No. 1 SETTINGS

SW	1	2	3	4	COIN	PLAY
•	OFF	OFF	OFF	OFF	1	1
	ON	OFF			1	2
	OFF	ON			1	3
	ON	ON			1	4
	OFF	OFF	ON	OFF	1	5
	ON	OFF			1	6
	OFF	ON			1	7
	ON	ON			2	1
	OFF	OFF	OFF	ON	2	3
	ON	OFF			2	5
	OFF	ON			3	1
	ON	ON			3	2
	OFF	OFF	ON	ON	3	4
	ON	OFF			4	1
	OFF	ON			4	3
	ON	ON			4	5

### 2. COIN SWITCH NO. 2 SETTINGS

SW	5	6	7	8	COIN	PLAY
•	OFF	OFF	OFF	OFF	1	1
	ON	OFF			1	2
	OFF	ON			1	3
	ON	ON			1	4
	OFF	OFF	ON	OFF	1	5
	ON	OFF			1	6
	OFF	ON			1	7
	ON	ON			2	1
	OFF	OFF	OFF	ON	2	3
	ON	OFF			2	5
	OFF	ON			3	1
	ON	ON			3	2
	OFF	OFF	ON	ON	3	4
	ON	OFF			4	1
	OFF	ON			4	3
	ON	ON			4	5

## DIP SWITCH NO. 2 SETTINGS

### 1. SOUND AND MONITOR FOR TABLE/UPRIGHT

SW	3	TYPE
•	OFF	TABLE
	ON	UPRIGHT

### 2. DIFFICULTY OF THE GAME

SW	6	7	DIFFICULTY
•	OFF	OFF	EASY
	ON	OFF	NORMAL
	OFF	ON	DIFFICULT
	ON	ON	VERY DIFFICULT

### 3. SOUND IN ATTRACTIVE MODE

SW	8	SOUND
•	OFF	OFF
	ON	ON

\*SW 1 AND SW 2 OF DIP SW NO. 2 ARE NOT USED

\*SW 4 AND SW 5 OF DIP SW NO. 2 ARE NOT USED

## DIP SWITCH NO. 3 SETTINGS

### 1. VIDEO SCREEN FLIP

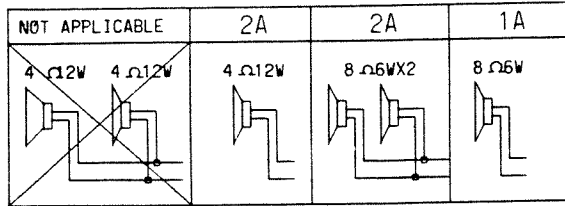
SW	1	
•	OFF	NORMAL
	ON	UPSIDE DOWN

### 2. CHANGE OF MODE

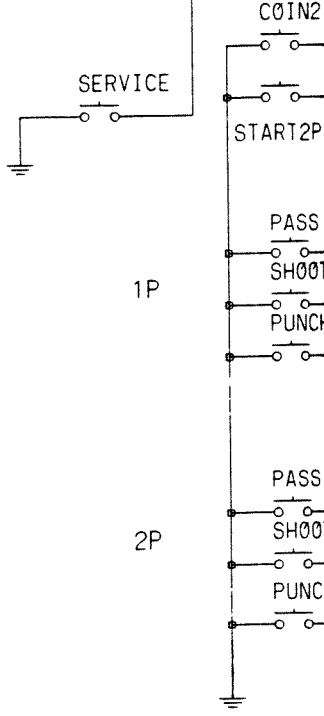
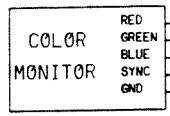
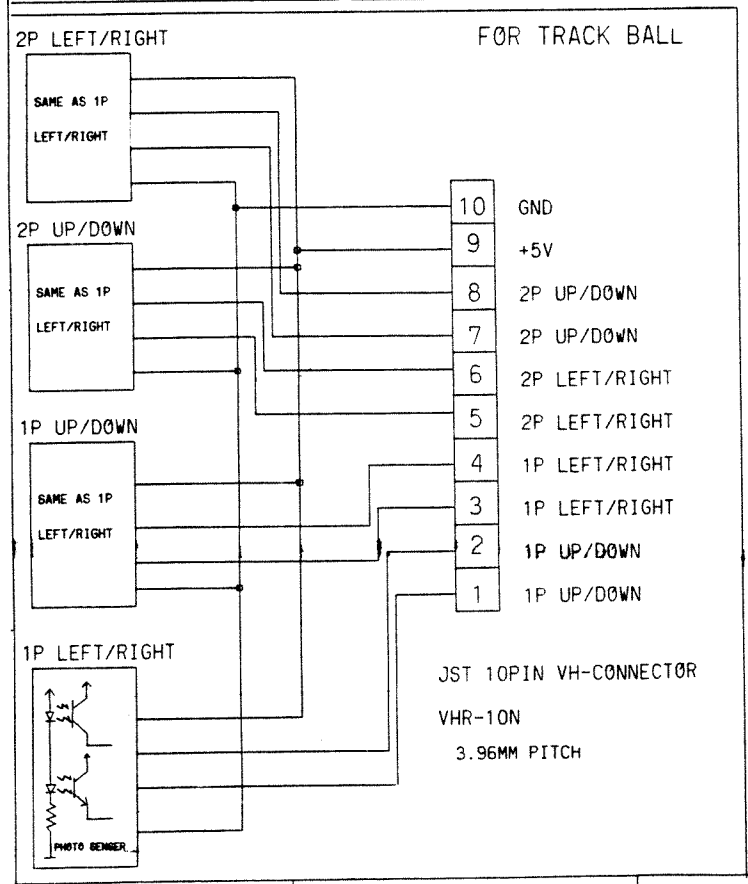
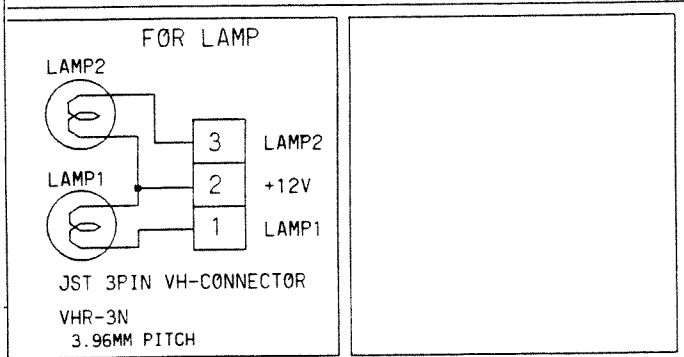
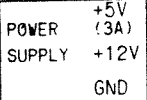
SW	3	MODE
•	OFF	GAME MODE
	ON	TEST MODE

\*SW 2 AND SW 4 OF DIPSW NO. 3 ARE NOT USED

• Shows recommended settings



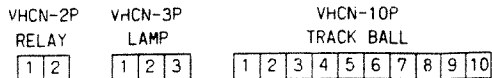
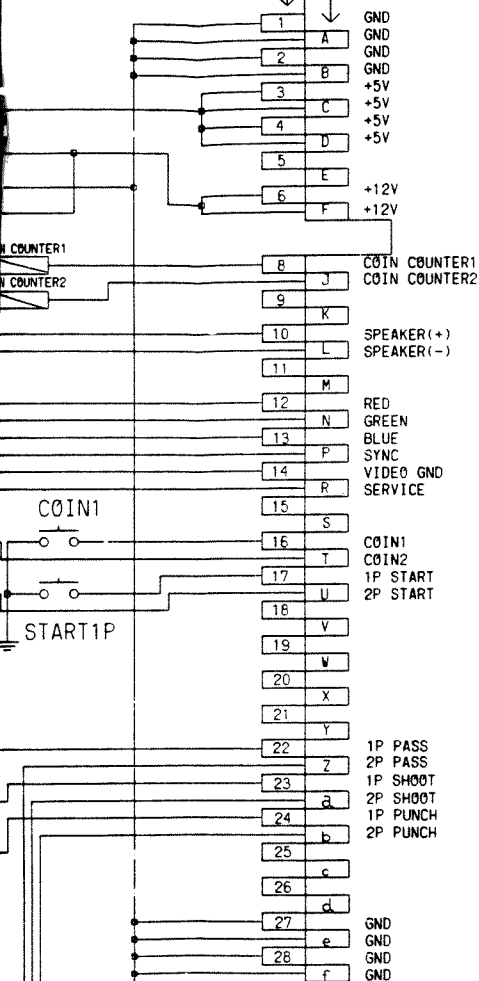
+12V REQUIRED POW



GX797 PWB 350611A

R CAPACITY

RTS SIDE      B      A      SOLDER SIDE

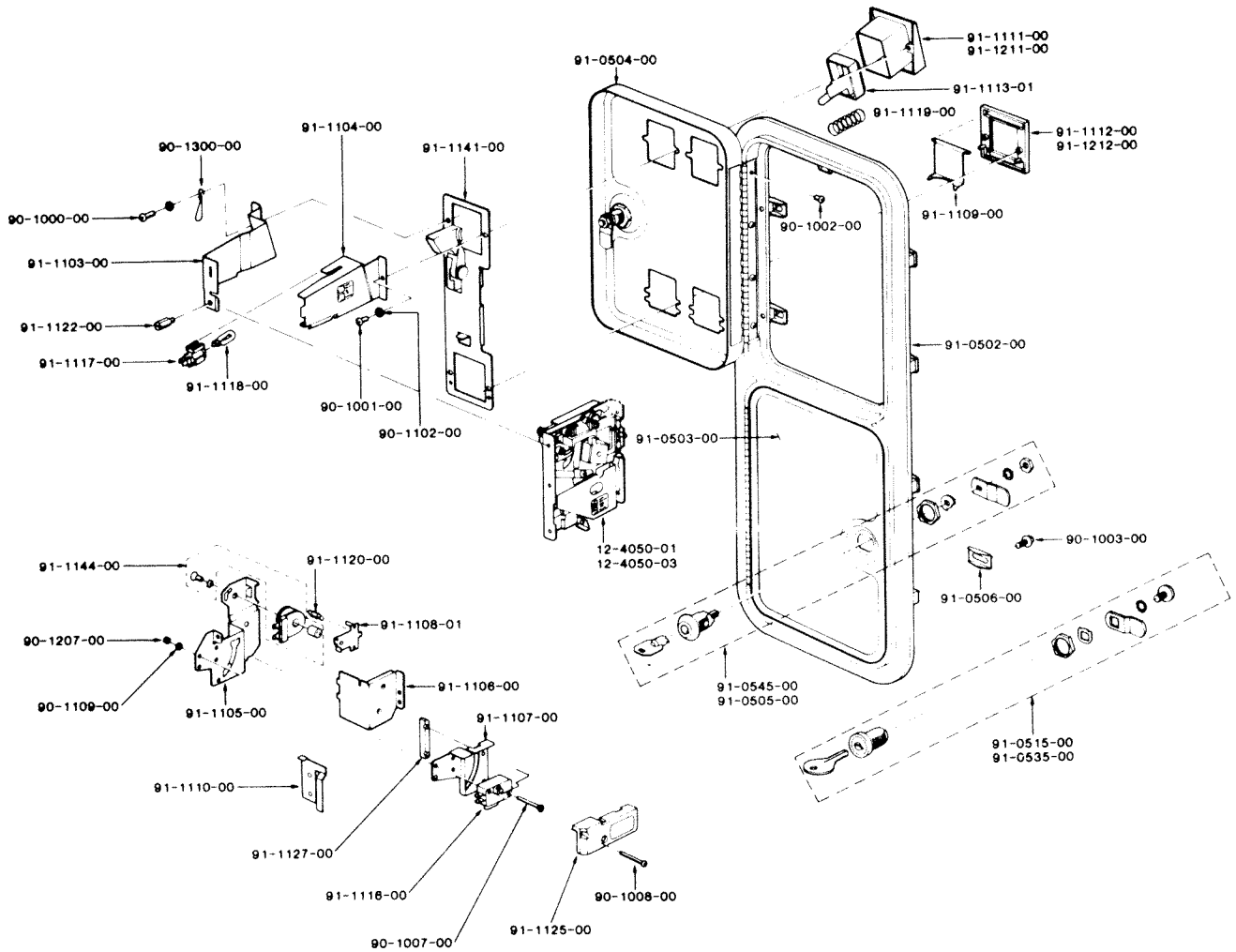


JAMMA 56PIN EDGE CONNECTOR  
 5/32 INCH PITCH

JST POST W/BASE  
 WA-CONNECTOR  
 3.96MM PITCH

		KONAMI INDUSTRY CO.,LTD.					
DESIGN	DRAW	CHECK	APPROVE	RELEASE DATE	87 . 7 . 21		
T. MATSUURA	T. MATSUURA	<i>Pt. Uno.</i>	<i>Pt. Uno.</i>	SCALE	1 : 1	TOLERANCE A3	

# COMPLETE COIN DOOR ASSEMBLY EXPLODED VIEW

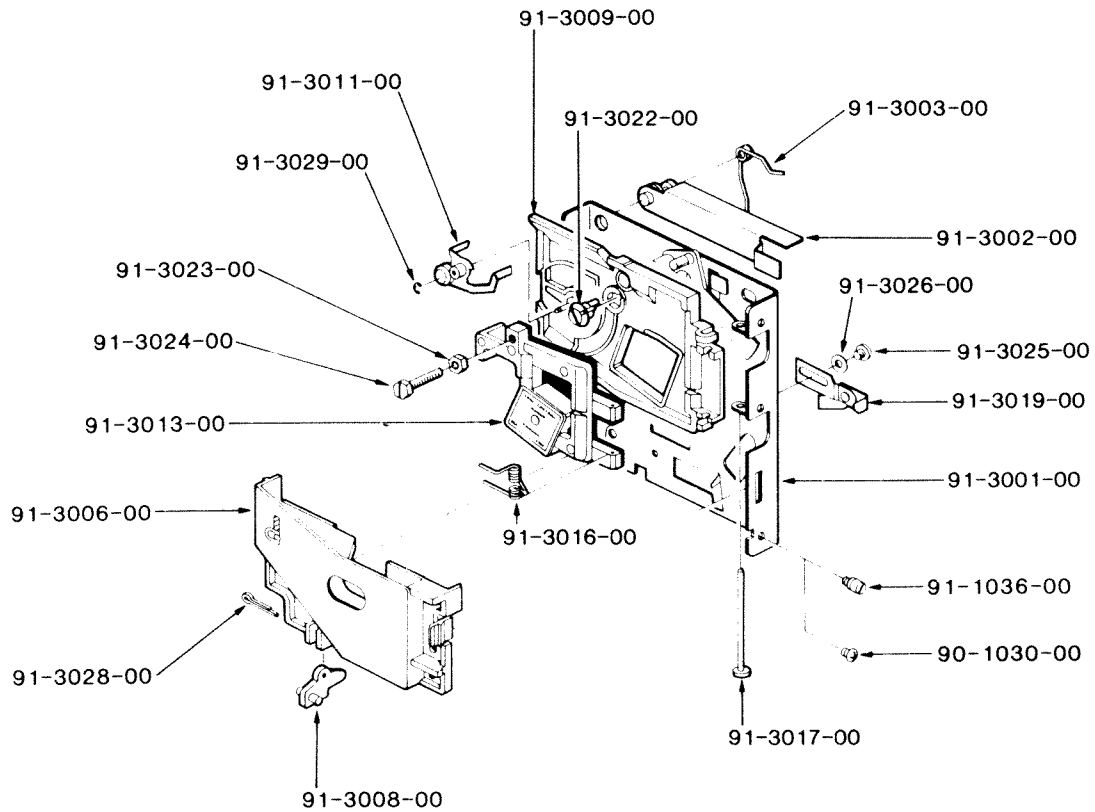


## PARTS LIST

- |   |  |  |   |
|---|--|--|---|
| 12-4050-01 S-10 Acceptor Body<br>US 25 <sup>c</sup>       | 90-1102-00 Washer for Bezel Screw                | 91-1103-00 Coin Inlet Lamp Side                      | 91-1119-00 Button Spring                          |
| 12-4050-03 S-10 Acceptor Body<br>Canadian 25 <sup>c</sup> | 90-1207-00 Nut for Microswitch<br>Mounting Screw | 91-1104-00 Coin Inlet Cover Side                     | 91-1120-00 Lockout Spring                         |
| 20-4177-00 Plastic Cash Box                               | 90-1300-00 Keyhook                               | 91-1105-00 Reject Cup Side Plate                     | 91-1122-00 Retaining Screw for<br>Acceptor Body   |
| 20-4179-00 Steel Enclosure                                | 91-0502-00 Zinc Die Cast Frame                   | 91-1106-00 Reject Cup Base Plate                     | 91-1125-00 Clear Plastic Cover for<br>Microswitch |
| 22-1400-00 Locking Bar                                    | 91-0503-00 Lower Door                            | 91-1107-00 Microswitch Bracket                       | 91-1127-00 Plastic Switch Adjuster                |
| 24-1150-00 Wire Harness                                   | 91-0504-00 Upper Door                            | 91-1108-01 Lockout Flap US 25 <sup>c</sup>           | 91-1141-00 Base Plate With Pivot<br>and Stud      |
| 90-1000-00 Keyhook Bezel Screw                            | 91-0505-00 Round Lock and Cam<br>Assembly        | 91-1109-00 Reject Flap                               | 91-1144-00 6 Volt DC Lockout Coil<br>Assembly     |
| 90-1001-00 Bezel Screw                                    | 91-0506-00 Clamp                                 | 91-1110-00 Metal Switch Adjuster                     | 91-1211-00 Zinc Plated Button Bezel               |
| 90-1002-00 Hinge Screw                                    | 91-0515-00 Flat Lock and Cam<br>Assembly         | 91-1111-00 Black Button Bezel                        | 91-1212-00 Zinc Plated Reject Bezel               |
| 90-1003-00 Clamp Screw                                    | 91-0535-00 Flat Lock and Cam<br>Assembly         | 91-1112-00 Black Reject Bezel                        |   |
| 90-1007-00 Flat Head Microswitch<br>Mounting Screw        | 91-0545-00 Round Lock and Cam<br>Assembly        | 91-1113-01 Entry Reject Button<br>US 25 <sup>c</sup> |   |
| 90-1008-00 Panhead Microswitch<br>Mounting Screw          |  | 91-1116-00 Microswitch (Black End<br>Arm)            |   |
|   |  | 91-1117-00 Lampholder                                |   |
|   |  | 91-1118-00 6 Volt Wedge Base Lamp                    |   |

# Gold Mech

## Engineering Data and Parts List



### PARTS LIST

90-1030-00 Retaining Screw (#6-32" x .250")	91-3009-00 Gate	91-3023-00 Locknut-Magnet Holder
91-1036-00 Mounting Stud	91-3011-00 Cradle	91-3024-00 Screw-Magnet Holder
91-3001-00 Back Plate	91-3013-00 Magnet Holder with Magnet	91-3025-00 Screw Separator
91-3002-00 Reject Lever	91-3016-00 Gate Spring	91-3026-00 Washer
91-3003-00 Reject Lever Spring	91-3017-00 Gate Pin	91-3028-00 Cotter Pin for Anti-Stringing Device
91-3006-00 Cover Plate	91-3019-00 Separator	91-3029-00 E-Clip for Cradle
91-3008-00 Anti-Stringing Device	91-3022-00 Diameter Adjustment	

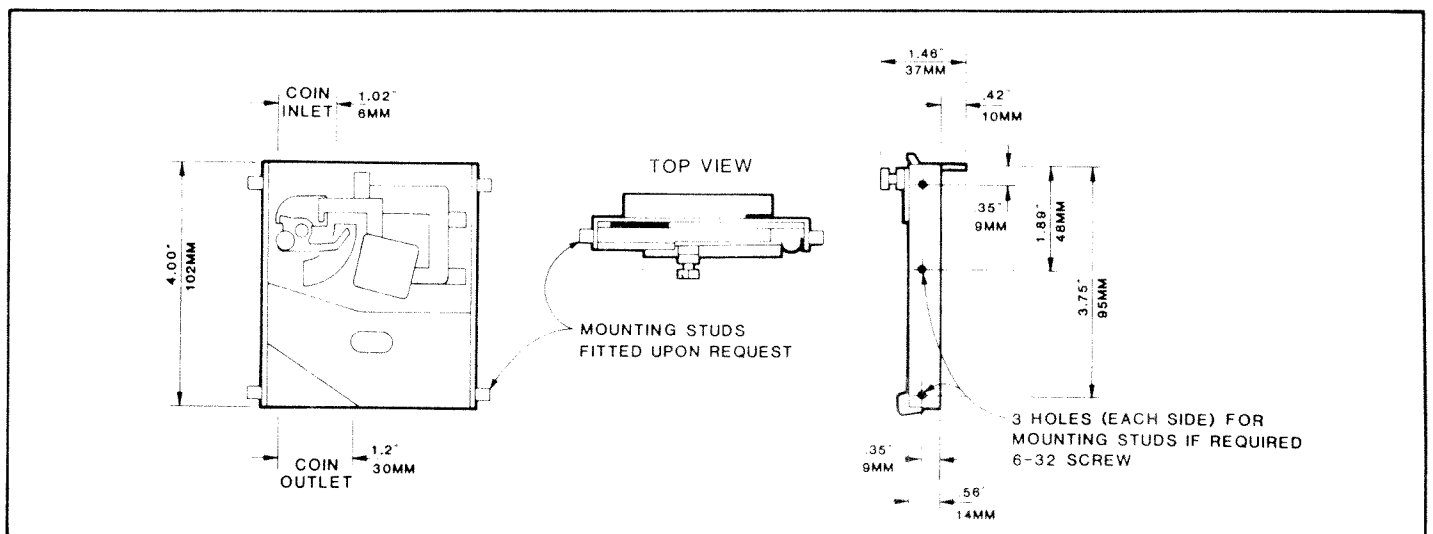
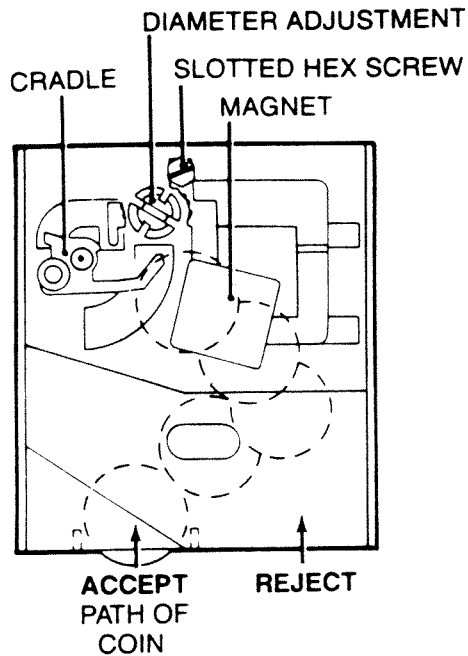
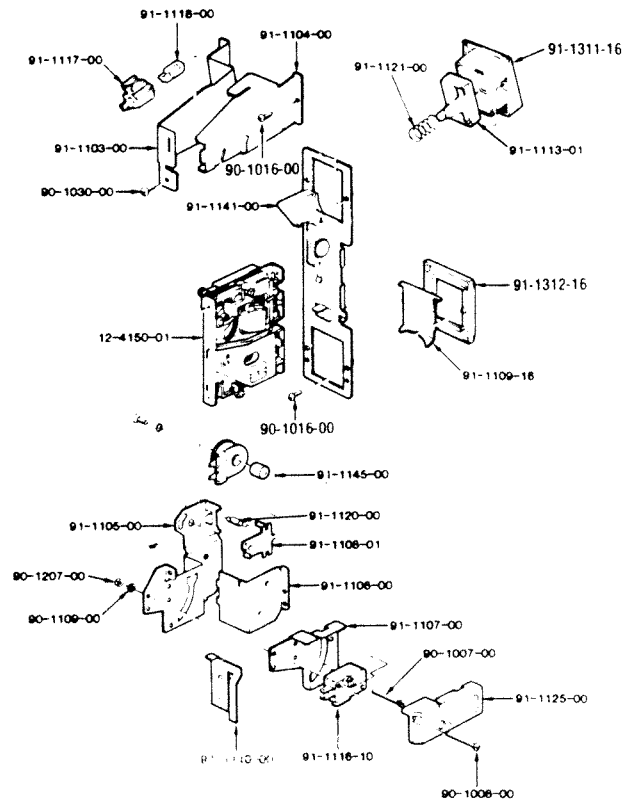




Fig. 4



## Base Plate Assembly for Coin Doors and Front Plates



The first check on the coin is at the entry slot which prevents the entry of grossly oversize and bent coins. The next test is at the cradle. When the correct coin falls into the cradle, the cradle tips and the coin is delivered to the magnet check. Under-diameter coins fall between the legs of the cradle and are returned to reject. Under-weight coins fail to tipple the cradle and can be returned to reject by pressing the reject lever.

### Adjustment

The Gold Mech Acceptors are factory adjusted for optimum performance. If more critical adjustments are desired, or if the unit has been disassembled, the following adjustment procedure is suggested. (Fig. 4).

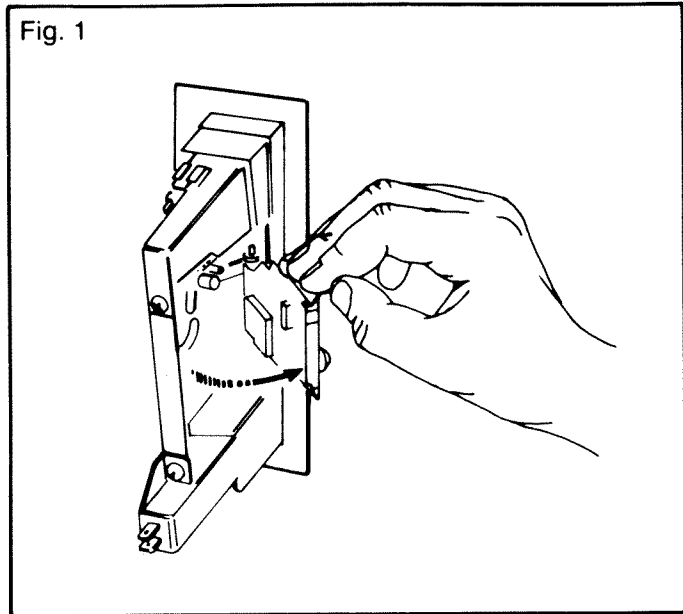
1. Ensure that the mechanism is in an upright and level position.
2. Loosen the hex locking screw on the magnet holder and unscrew the slotted hex screw.
3. Place a true U.S. 25¢ coin in the mechanism. Turn the diameter adjustment (Fig. 4) clockwise until the coin falls into the cradle. The cradle should tipple and the coin come to rest on the side of the magnet. Turn the slotted hex screw clockwise until the coin just clears the magnet. Give this screw a further 1/2 turn clockwise for optimum clearance and tighten the locknut.

Part Number	Description
-------------	-------------

12-4150-01	Gold Mech Acceptor
90-1000-00	Keyhook Bezel Screw
90-1007-00	Flat Head Microswitch Mounting Screw
90-1008-00	Pan Head Microswitch Mounting Screw
90-1016-00	CPJS/Bezel Screw
90-1030-00	Mounting Screw for Gold Mech
90-1032-00	Bezel/Hinge Screw PZ
90-1109-00	Lock Washer for Microswitch Assembly
90-1207-00	Nut for Microswitch Mounting Screw
91-1103-00	Coin Inlet Lamp Side
91-1104-00	Coin Inlet Cover Side
91-1105-00	Reject Cup Side Plate
91-1106-00	Reject Cup Base Plate
91-1107-00	Microswitch Bracket
91-1108-01	Lockout Flap U.S. 25¢
91-1109-16	Reject Flap
91-1110-00	Metal Switch Adjuster
91-1113-01	Entry/Reject Button U.S. 25¢
91-1116-10	Microswitch (Red End Arm)
91-1117-00	Lampholder
91-1118-00	GV Wedge Base Lamp
91-1120-00	Lockout Spring
91-1121-00	Button Spring
91-1125-00	Clear Plastic Cover for Microswitch
91-1141-00	Base Plate w/Pivot Coil
91-1145-00	12 V DC Lockout Coil
91-1311-16	Black Nylon Button Bezel
91-1312-16	Black Nylon Reject Bezel

# Gold Mech: Service Information

## CLEANING and CARE of the MECHANISM



The magnet that is fitted to the mechanism, should be kept clean from foreign particles. The magnet can be cleaned by swinging the gate open. (as shown in Fig. 1). Remove metal filings from the magnet by guiding the point of a screwdriver along the edges of the magnet, such that the filings cling to the screwdriver.

The mechanism can be cleaned by immersing in water using a small brush to clean the mechanism. Rinse the mechanism with boiling water and dry with compressed air.

### Note:

Since the Gold Mech relies on coins passing the magnet at a constant speed, the rejector must be free of dirt and grease which may slow down the coins. Do not lubricate the acceptor with oil as this slows down coins.

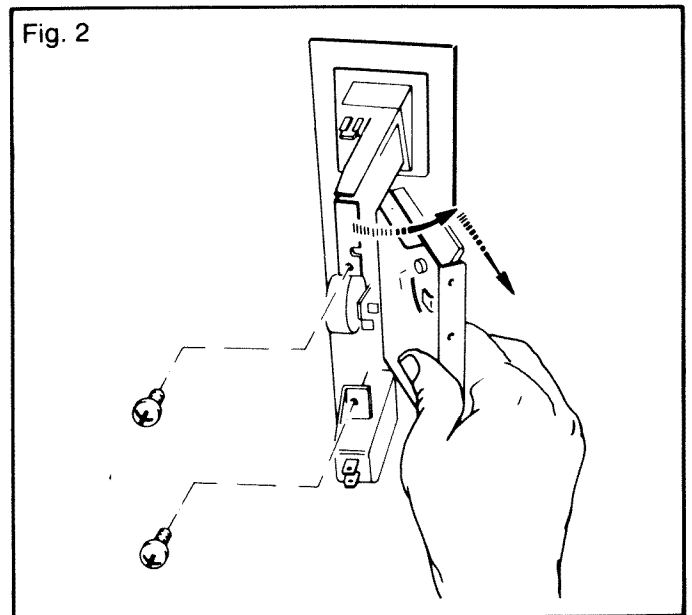
If the above procedures are not successful, check for worn, bent or damaged parts and replace where necessary.

### Coin switch

The coin switch comes in two different spring tensions—identified by the color of the plastic boss at the wire's pivot point.

**Red:** Light tension—U.S. 25¢

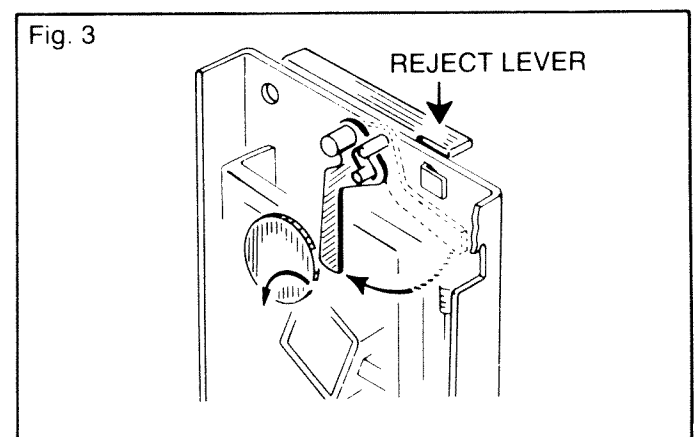
**White:** Heavy tension—heavy foreign coins



### Removal of Mechanism

To remove the coin selector: Unscrew the two screws (as shown in Fig. 2)—swing rear of selector body away from the lock-out side and withdraw.

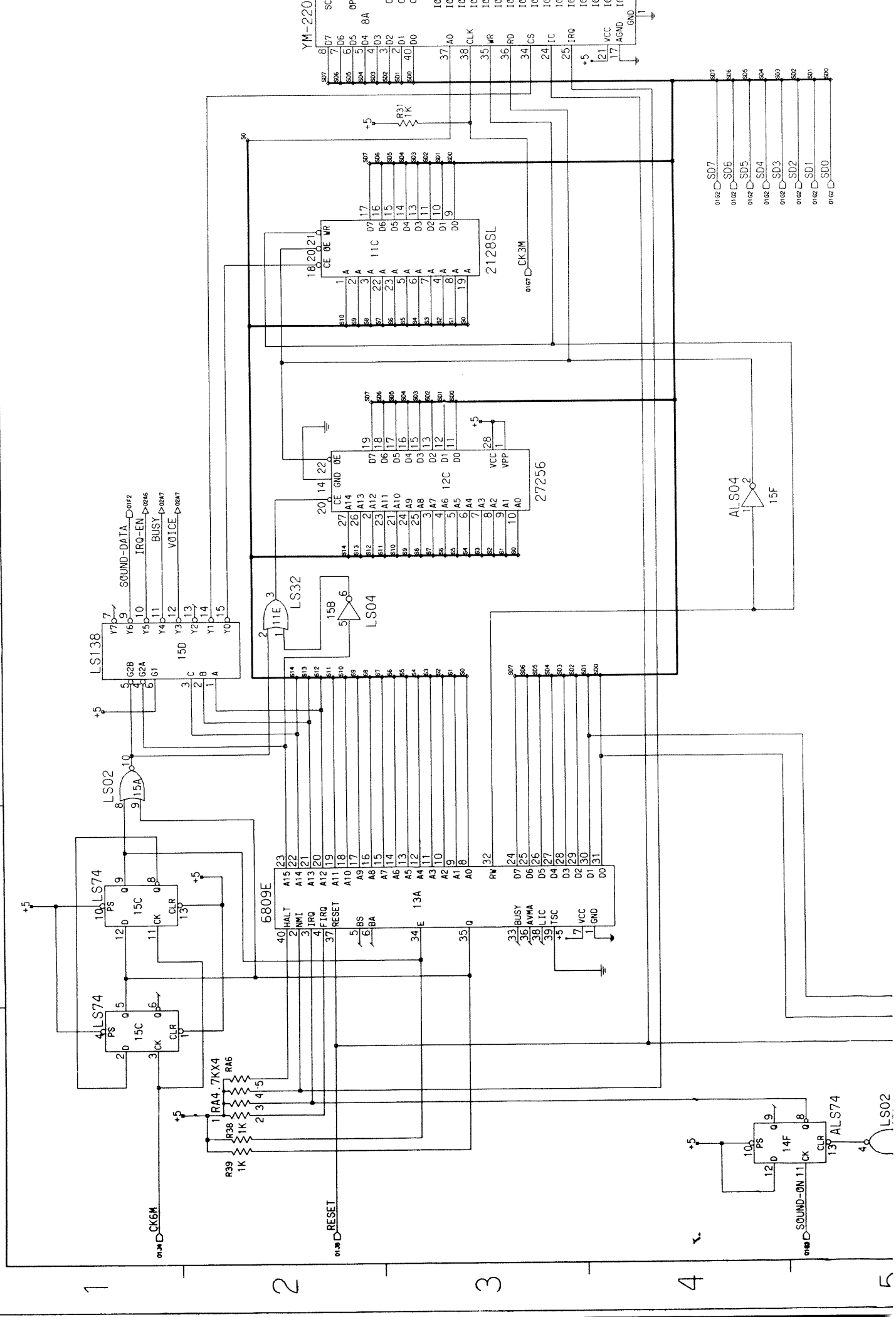
The Gold Mech Acceptors are designed to require a minimum of maintenance and field adjustment. Coins are checked by diameter and thickness, weight, metal content, bounce, and for ferromagnetic coins such as nickel and steel, a rim test is also used.



### The Magnet

Coins that are too thick will fail to pass between the magnet and the backplate of the mechanism; and will be cleared by the magnet wiper when the reject lever is actuated. (Fig. 3)

A B C D E F



1

2

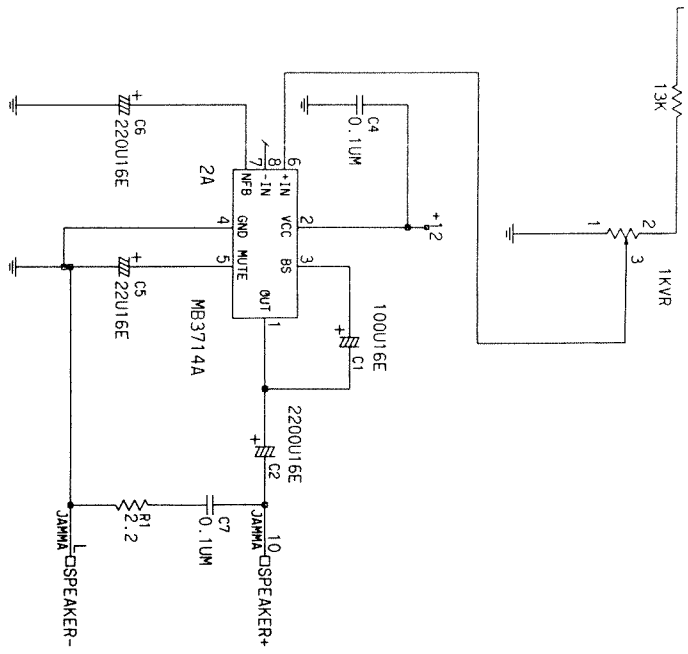
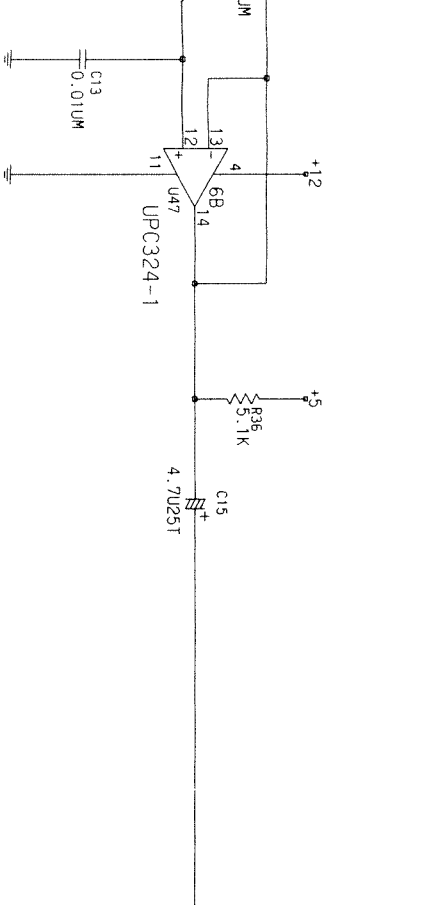
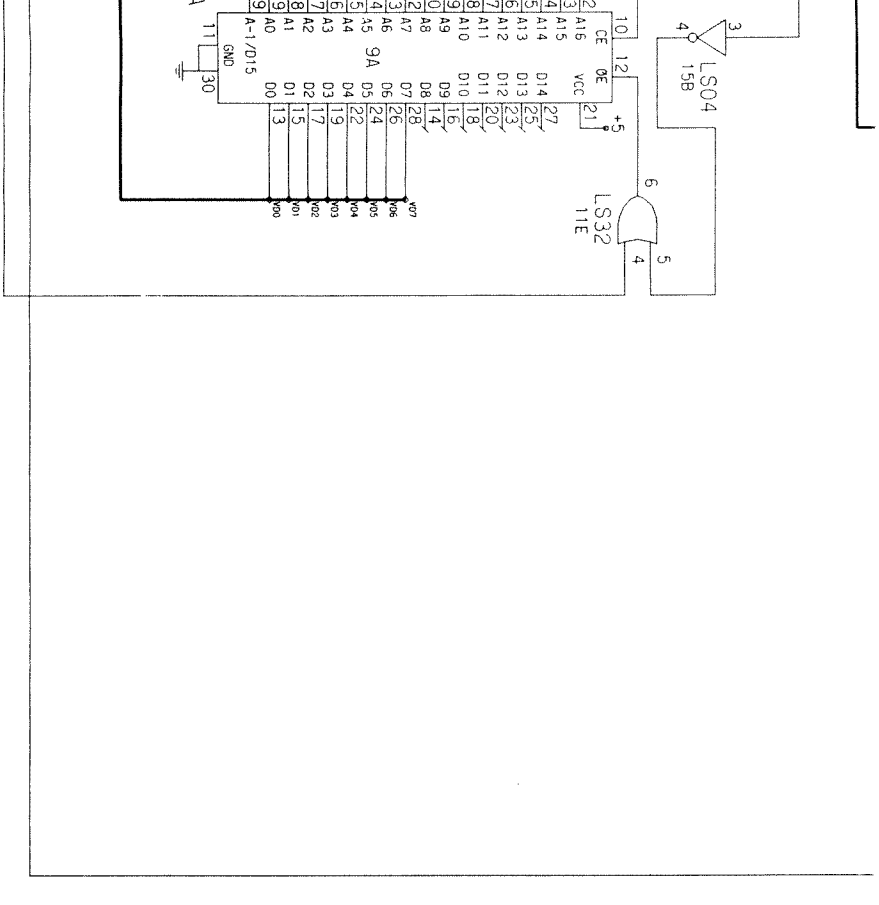
3

4

F







**NOTE**

- +5 : VCC(+5V)
- +12 : VCC(+12V)
- ⊥ : GND
- JAMMA □ : JAMMA EDGE 56P
- ALPHABET: SOLDER SIDE
- NUMBER: PARTS SIDE
- /A/: SMALL LETTER
- PT □ : 4P SV CONNECTOR
- P2 □ : 2P VH CONNECTOR
- P3 □ : 3P VH CONNECTOR
- P4 □ : 10P VH CONNECTOR

KINDS OF CAPASITOR

T: TANTALUM

M: MYLAR

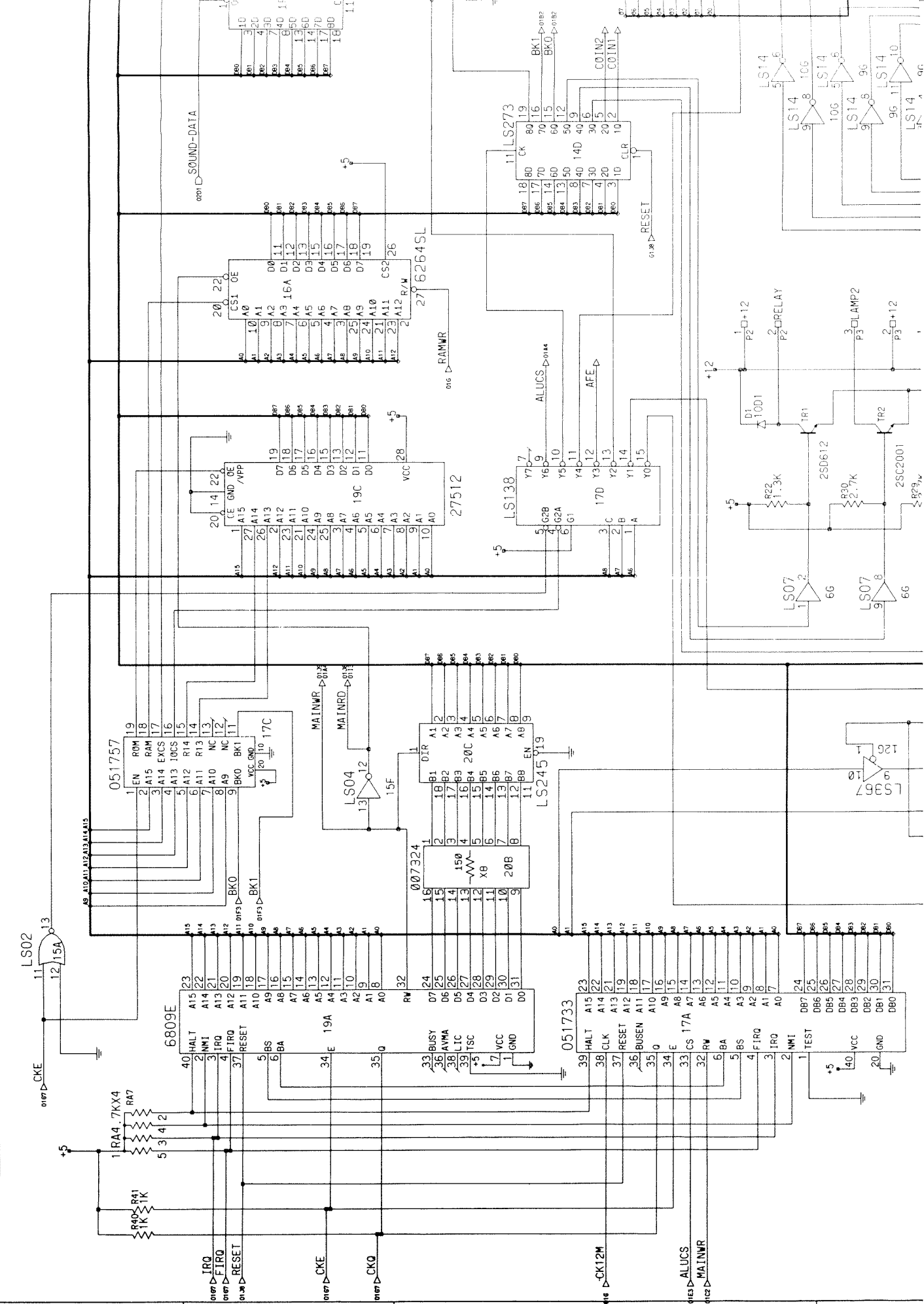
E: ELECTROLYTIC

C: CERAMIC

		KONAMI INDUSTRY CO., LTD.				REG. TYPE	SCHEMATIC DIAGRAM		
		DESIGN	DRAW	CHECK	APPROVE	RELEASE DATE	NAME	GX797 PWB 350611A	
T.	T.	<i>Miyano</i>	<i>[Signature]</i>	SCALE	1 : 1	TOL. RANGE	A1	CODE NO.	100074 2/2

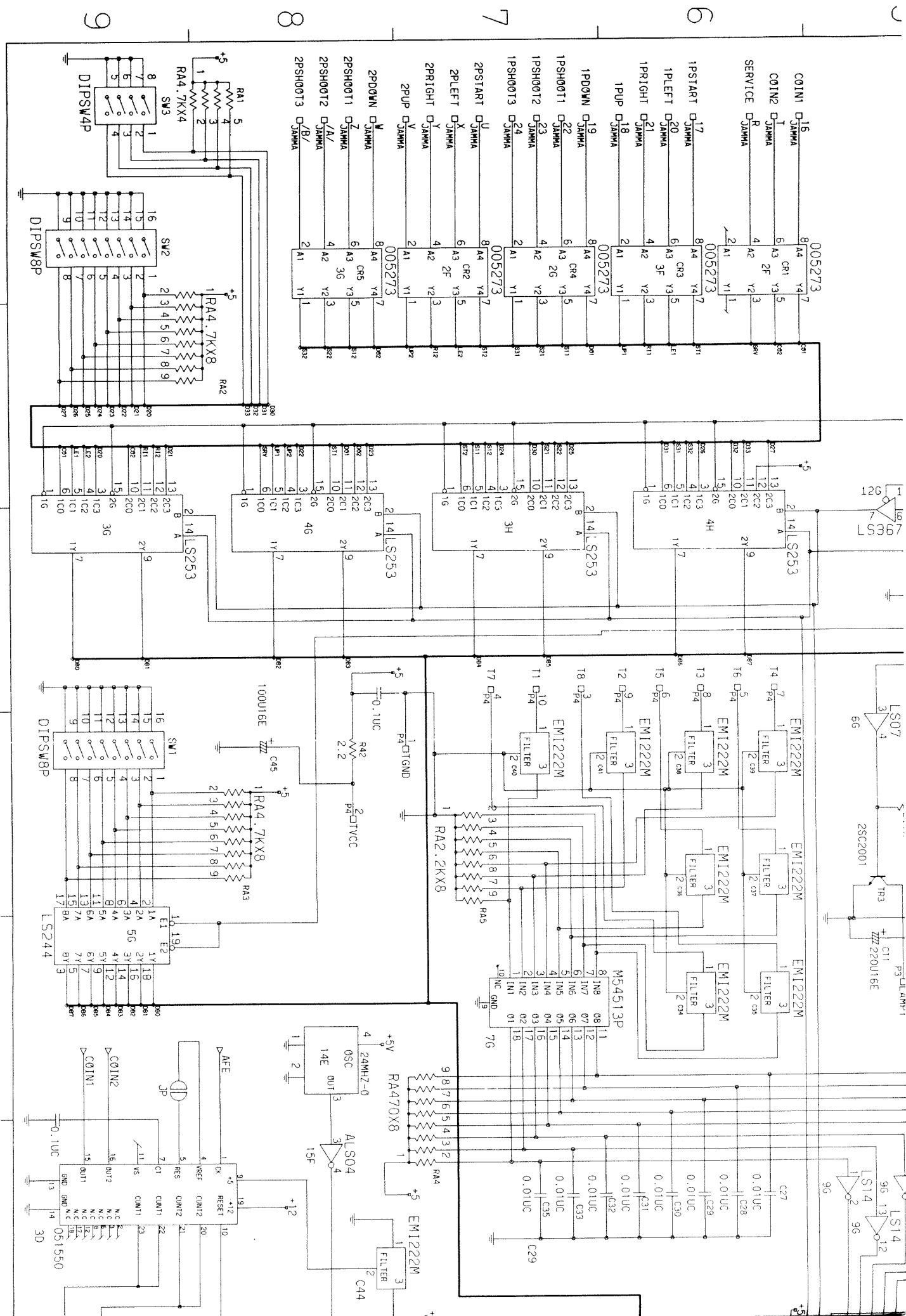
G H I J K L

A B C D E F









A

B

C

D

E

F

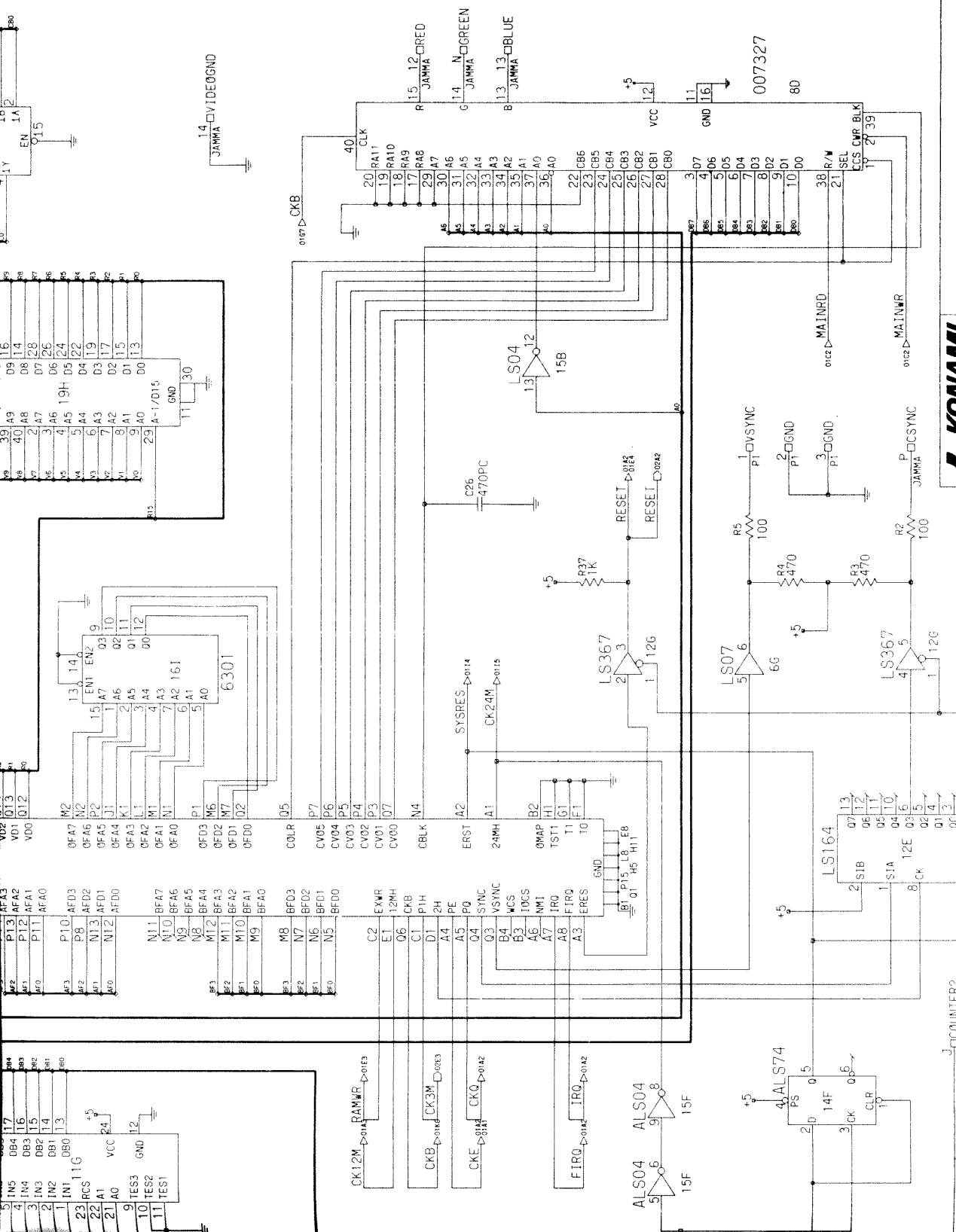
9

8

7

6

5



**NOTE**

+5: VCC(+5V)  
 +12: VCC(+12V)  
 GND: GND  
 JAMMA: JAMMA EDGE 56P  
 PIN NO. : PIN NO.

ALPHABET: SOLDER SIDE  
 NUMBER: PARTS SIDE  
 /A/: SMALL LETTER

P1: 4P SV CONNECTOR  
 P2: 2P VH CONNECTOR  
 P3: 3P VH CONNECTOR  
 P4: 10P VH CONNECTOR

KINDS OF CAPACITOR  
 T: TANTALUM  
 M: MTLAR  
 E: ELECTROLYTIC  
 C: CERAMIC

REG. TYPE	SCHEMATIC DIAGRAM	
NAME	GX797 PWB 350611A	
CODE NO.	100074	1/2

KONAMI		KONAMI INDUSTRY CO., LTD.	
DESIGN	DRAW	CHECK	APPROVE
T. MATSUURA	T. MATSUURA	P. MATSUURA	P. MATSUURA
SCALE	1:1	TOLERANCE	A1
RELEASE DATE	15.7.87		

G H I J K L