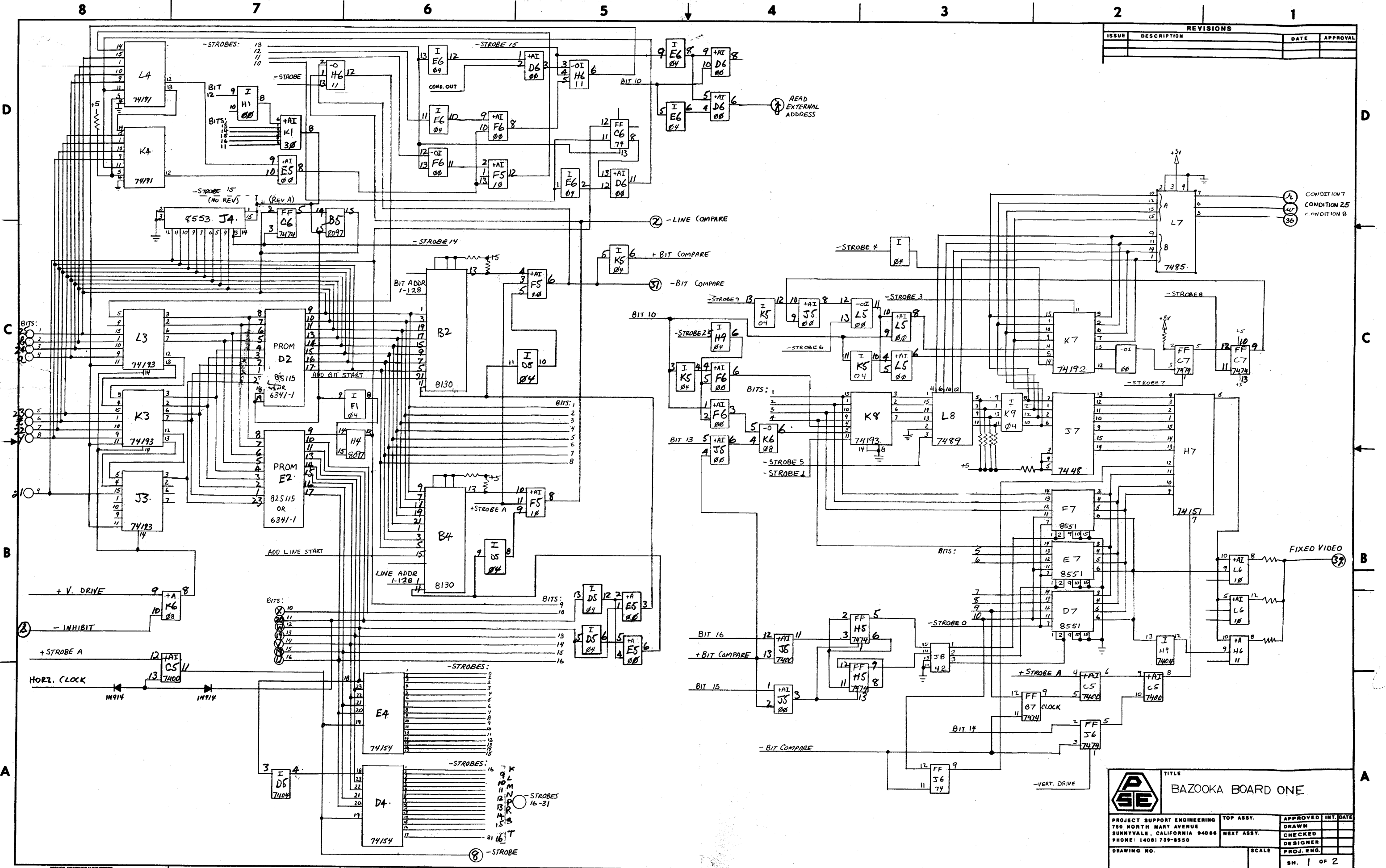


REVISIONS			
ISSUE	DESCRIPTION	DATE	APPROVAL



ASE TITLE
BAZOOKA BOARD ONE

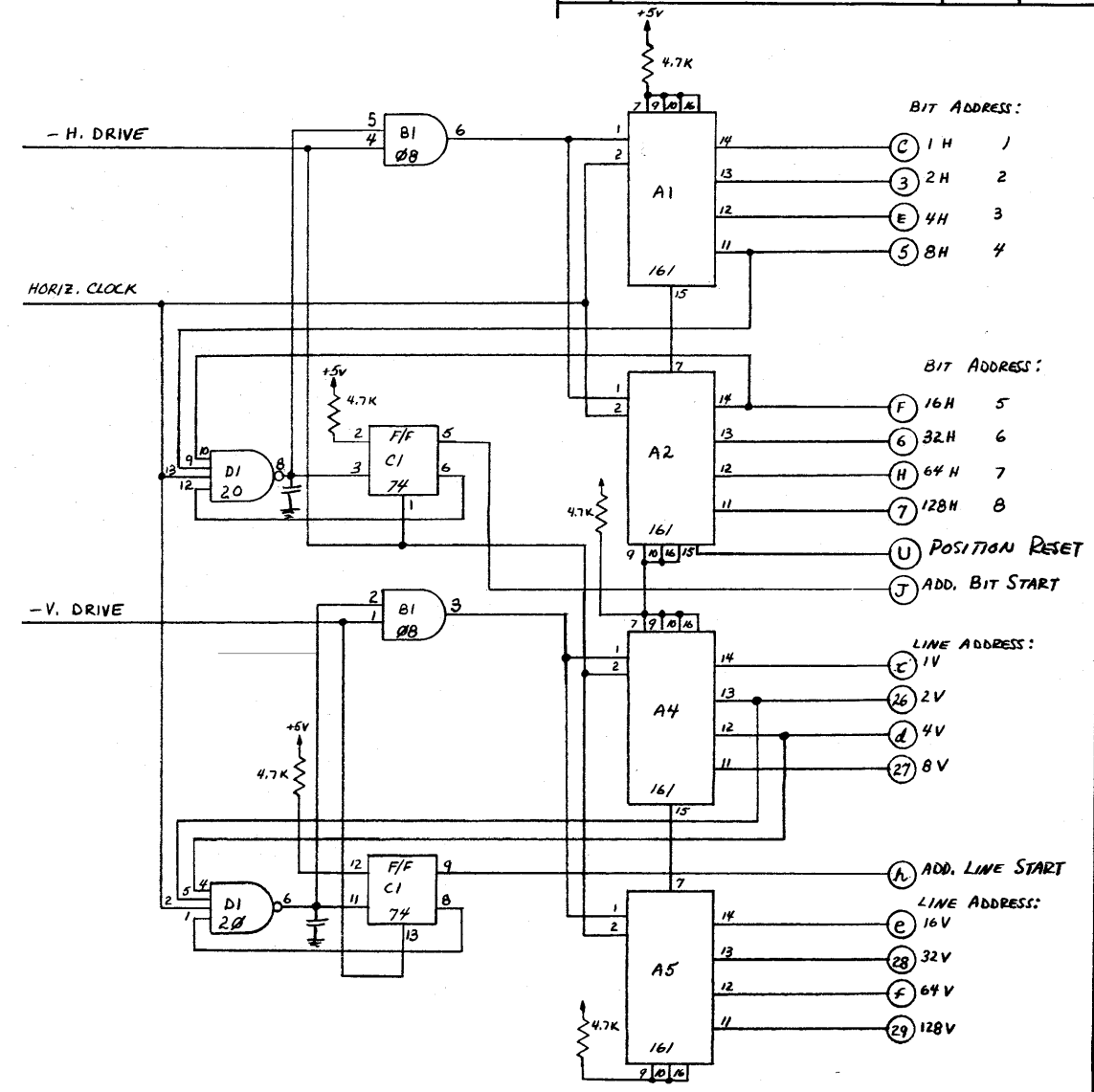
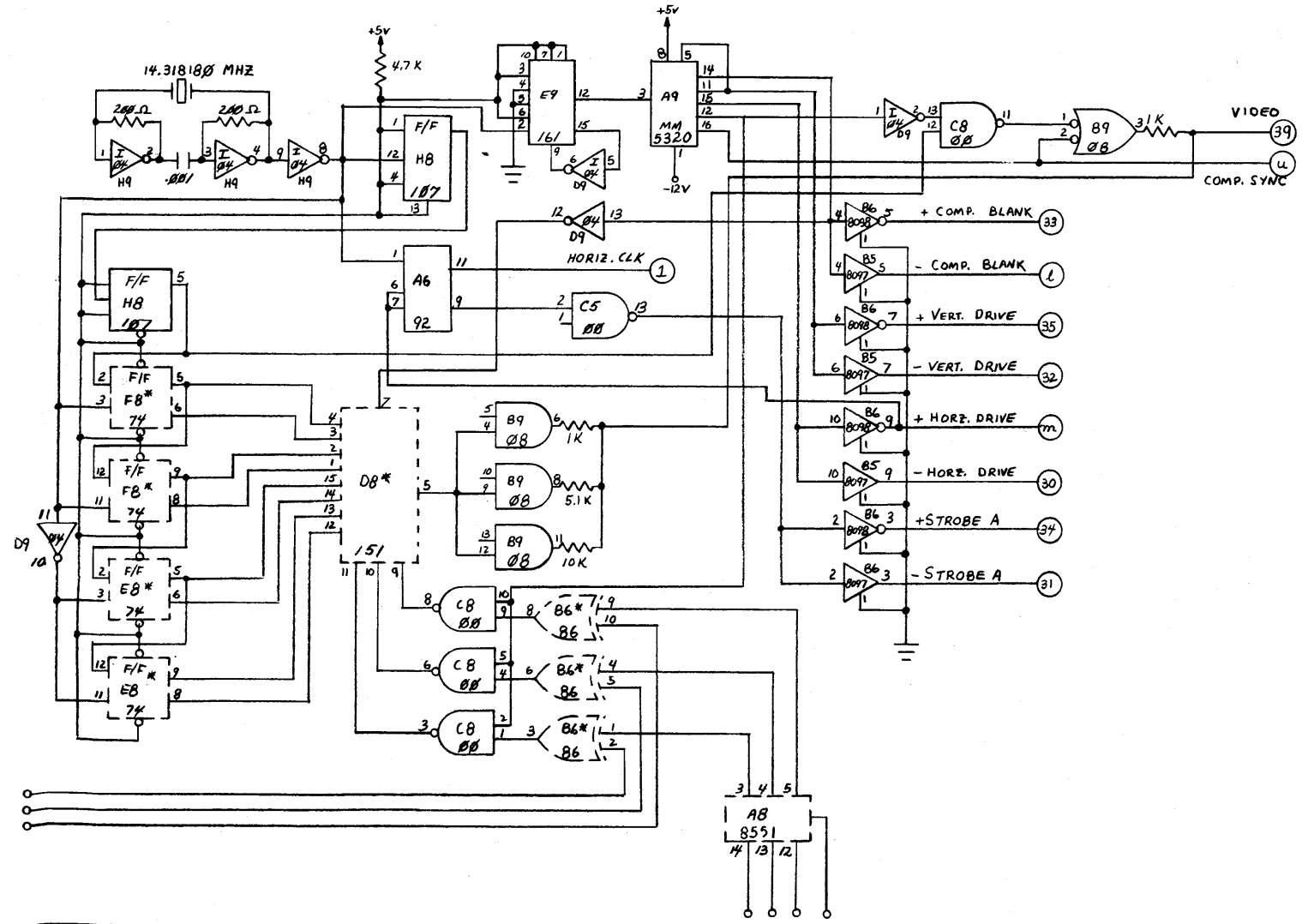
PROJECT SUPPORT ENGINEERING
 750 NORTH MARY AVENUE
 SUNNYVALE, CALIFORNIA 94086
 PHONE: (408) 739-8550

TOP ASSY. []
 NEXT ASSY. []

APPROVED [] INT. DATE []
 DRAWN []
 CHECKED []
 DESIGNER []
 PROJ. ENG. []

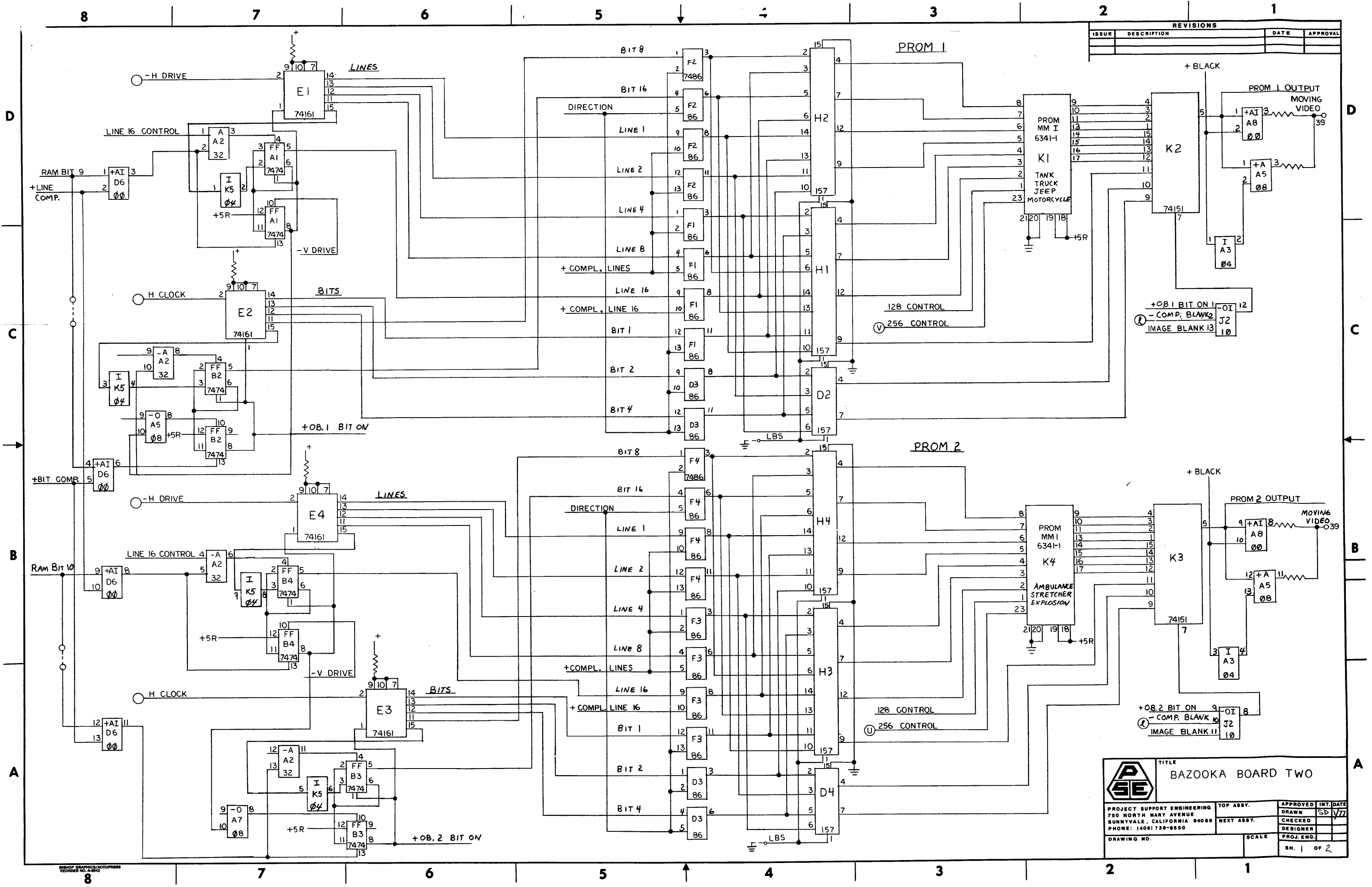
DRAWING NO. [] SCALE []
 SH. 1 OF 2

REVISIONS			
ISSUE	DESCRIPTION	DATE	APPROVAL



* NOTE: COMPONENTS WITH DASHED LINES LOADED ONLY FOR COLOR.

		TITLE BAZOOKA BOARD ONE	
PROJECT SUPPORT ENGINEERING 750 NORTH MARY AVENUE SUNNYVALE, CALIFORNIA 94086 PHONE: (408) 739-8550	TOP ASSY. NEXT ASSY.	APPROVED DRAWN CHECKED DESIGNER	INT. DATE
DRAWING NO.		SCALE	PROJ. ENG.
SH. 2 OF 2.			



REVISIONS			
ISSUE	DESCRIPTION	DATE	APPROVAL

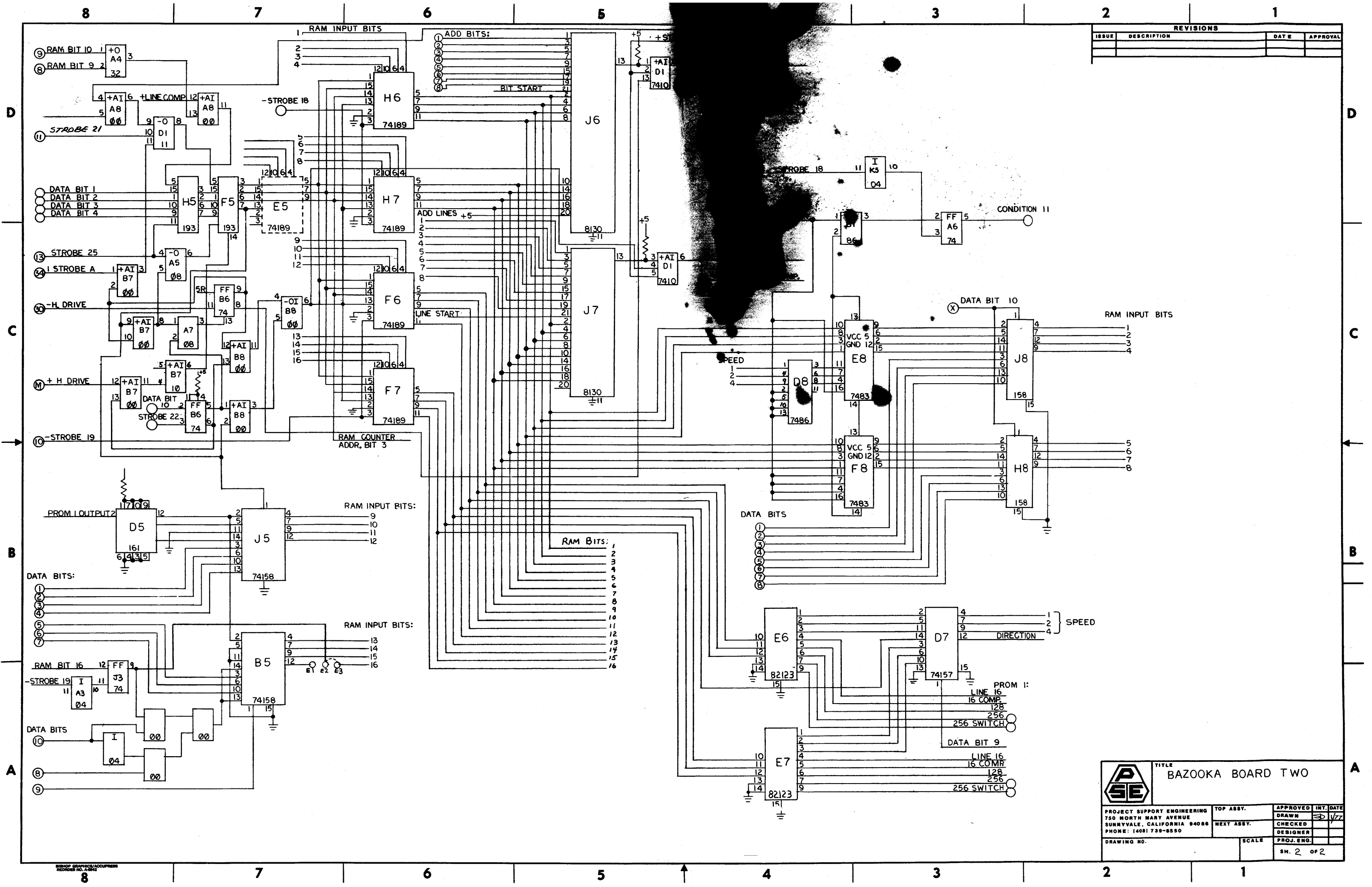
TITLE
BAZOOKA BOARD TWO

PROJECT SUPPORT ENGINEERING
750 NORTH MARY AVENUE
SUNNYVALE, CALIFORNIA 94086
PHONE: 14081 739-8550

TOP ASSY.
NEXT ASSY.

APPROVED [Signature]
DRAWN
CHECKED
DESIGNER
PROJ. ENG.

DRAWING NO. **SCALE** **SH. 1 OF 2**

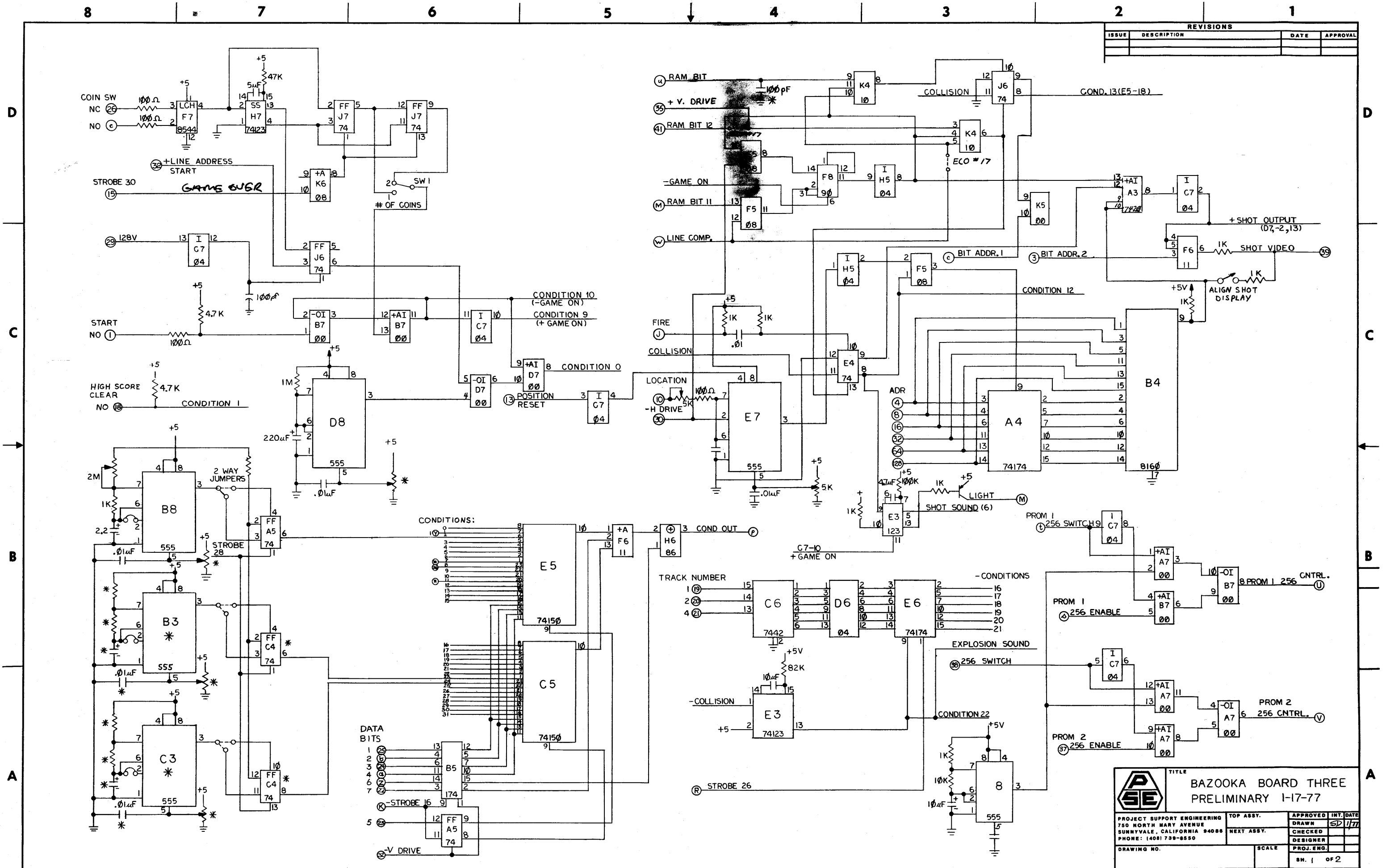


REVISIONS			
ISSUE	DESCRIPTION	DATE	APPROVAL

ASE TITLE BAZOOKA BOARD TWO

PROJECT SUPPORT ENGINEERING 750 NORTH MARY AVENUE SUNNYVALE, CALIFORNIA 94086 PHONE: (408) 739-8550	TOP ASSY. NEXT ASSY.	APPROVED DRAWN CHECKED DESIGNER PROJ. ENG.	INT. DATE DATE DATE DATE DATE
DRAWING NO.	SCALE	SH. 2 OF 2	

REVISIONS			
ISSUE	DESCRIPTION	DATE	APPROVAL

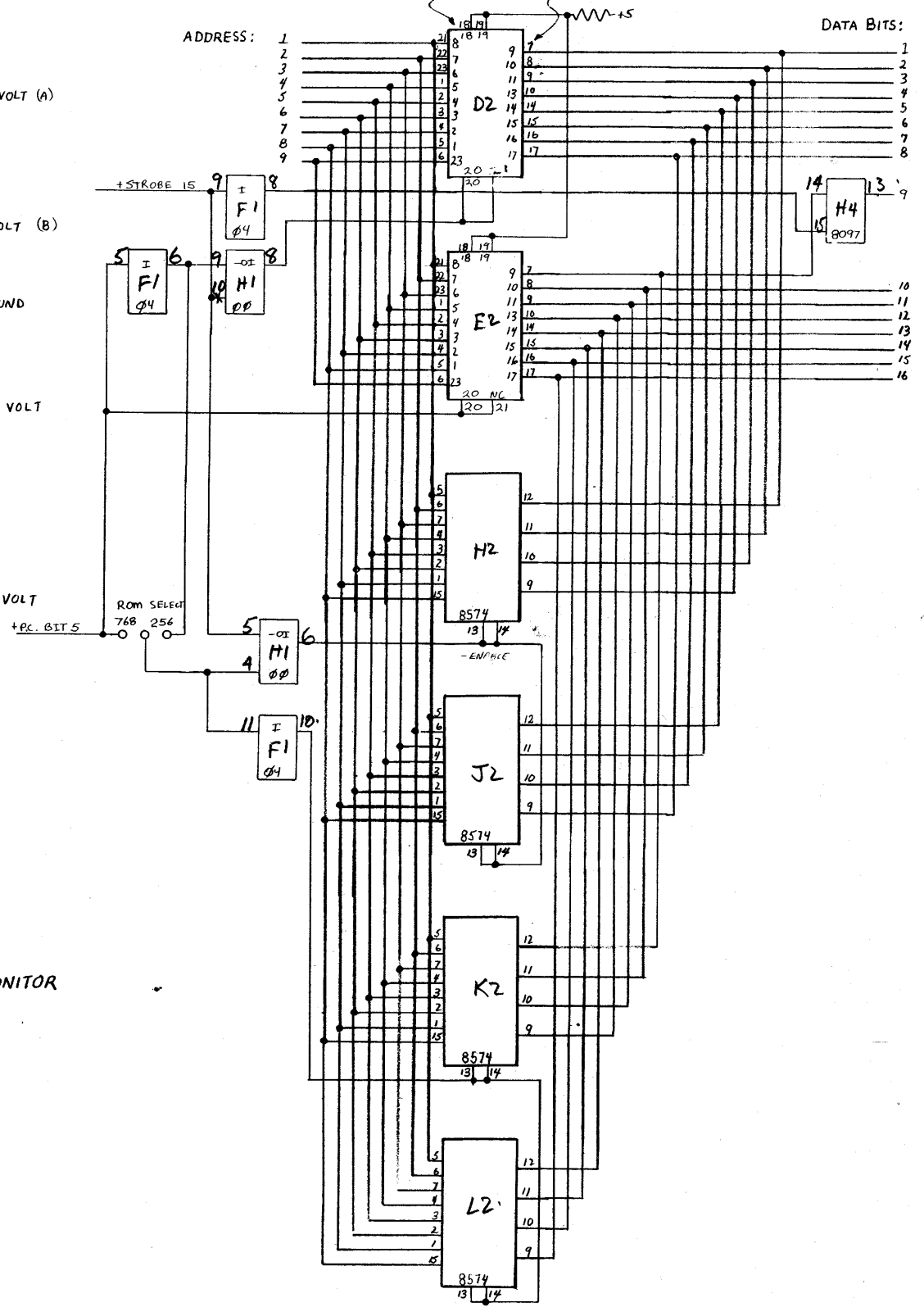


		TITLE BAZOOKA BOARD THREE PRELIMINARY I-17-77	
		PROJECT SUPPORT ENGINEERING 750 NORTH MARY AVENUE SUNNYVALE, CALIFORNIA 94086 PHONE: (408) 739-8550	TOP ASSY. NEXT ASSY.
DRAWING NO.		SCALE	
		SH. 1 OF 2	

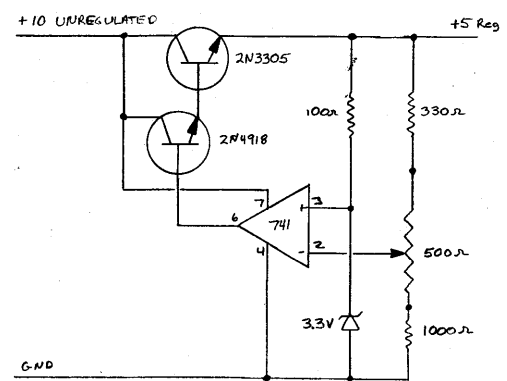
REVISIONS			
ISSUE	DESCRIPTION	DATE	APPROVAL

PROM BUSSING

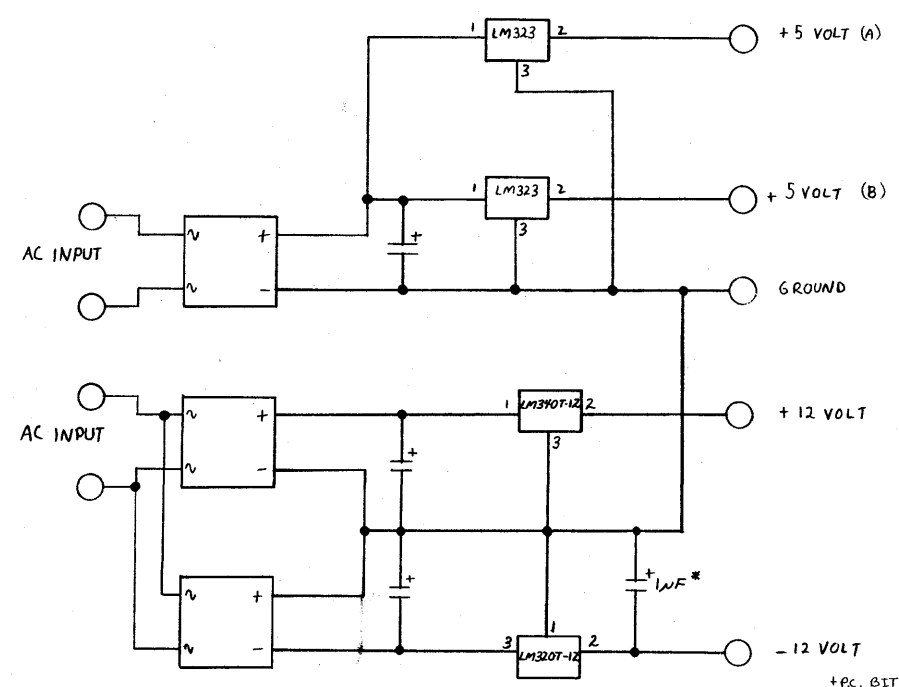
MMI PIN ASSIGNMENT (6344-1) SIGNETICS PIN ASSIGNMENT (825115)



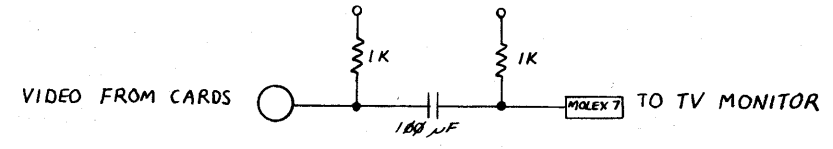
3191



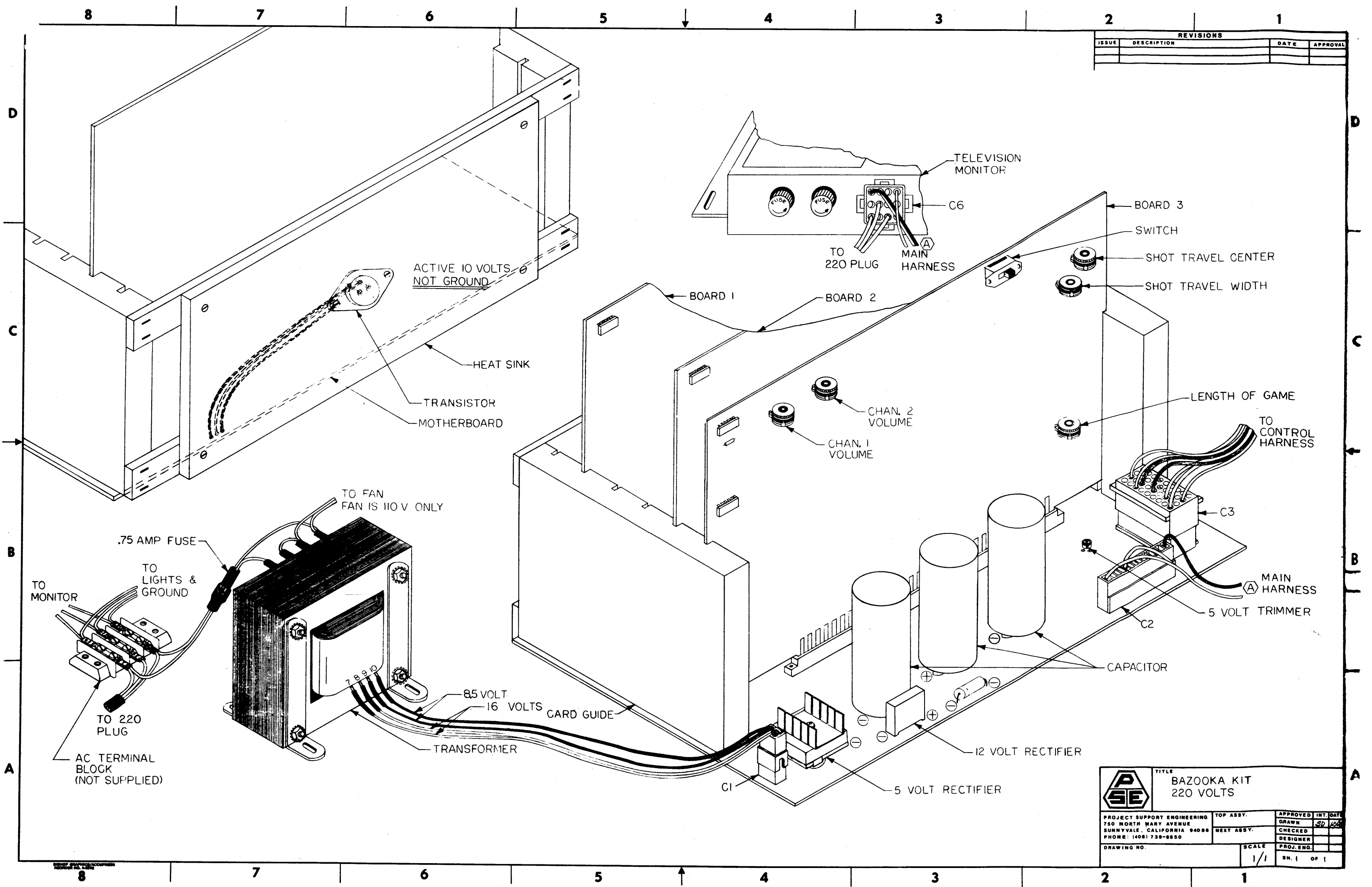
POWER SUPPLY




MOTHERBOARD VIDEO CIRCUIT



	TITLE		POWER SUPPLY AND PROM BUSSING	
	PROJECT SUPPORT ENGINEERING 750 NORTH MARY AVENUE SUNNYVALE, CALIFORNIA 94086 PHONE: 14081739-8550	TOP ASSY.	APPROVED	INT. DATE
DRAWING NO.	NEXT ASSY.	DRAWN	CHECKED	DESIGNER
	SCALE	PROJ. ENG.	SH.	OF



REVISIONS			
ISSUE	DESCRIPTION	DATE	APPROVAL

		TITLE BAZOOKA KIT 220 VOLTS	
PROJECT SUPPORT ENGINEERING 750 NORTH MARY AVENUE SUNNYVALE, CALIFORNIA 94086 PHONE: (408) 739-8850	TOP ASSY. NEXT ASSY.	APPROVED DRAWN CHECKED DESIGNER PROJ. ENG.	INT. DATE 3/1/74
DRAWING NO.		SCALE 1/1	SH. 1 OF 1