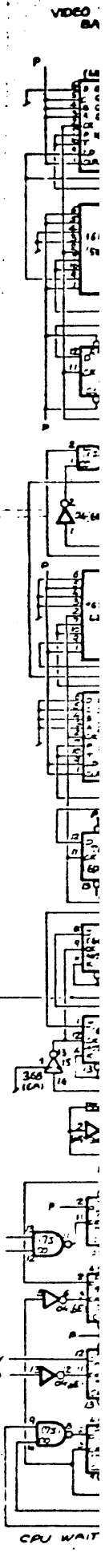
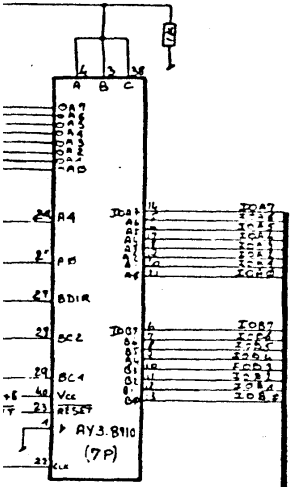
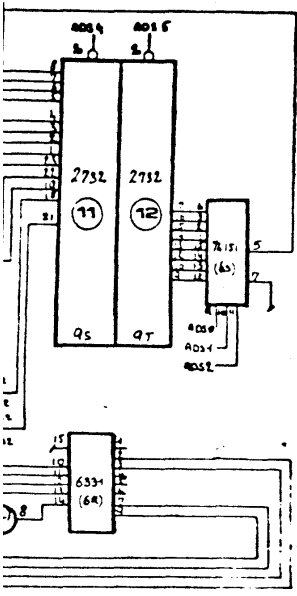
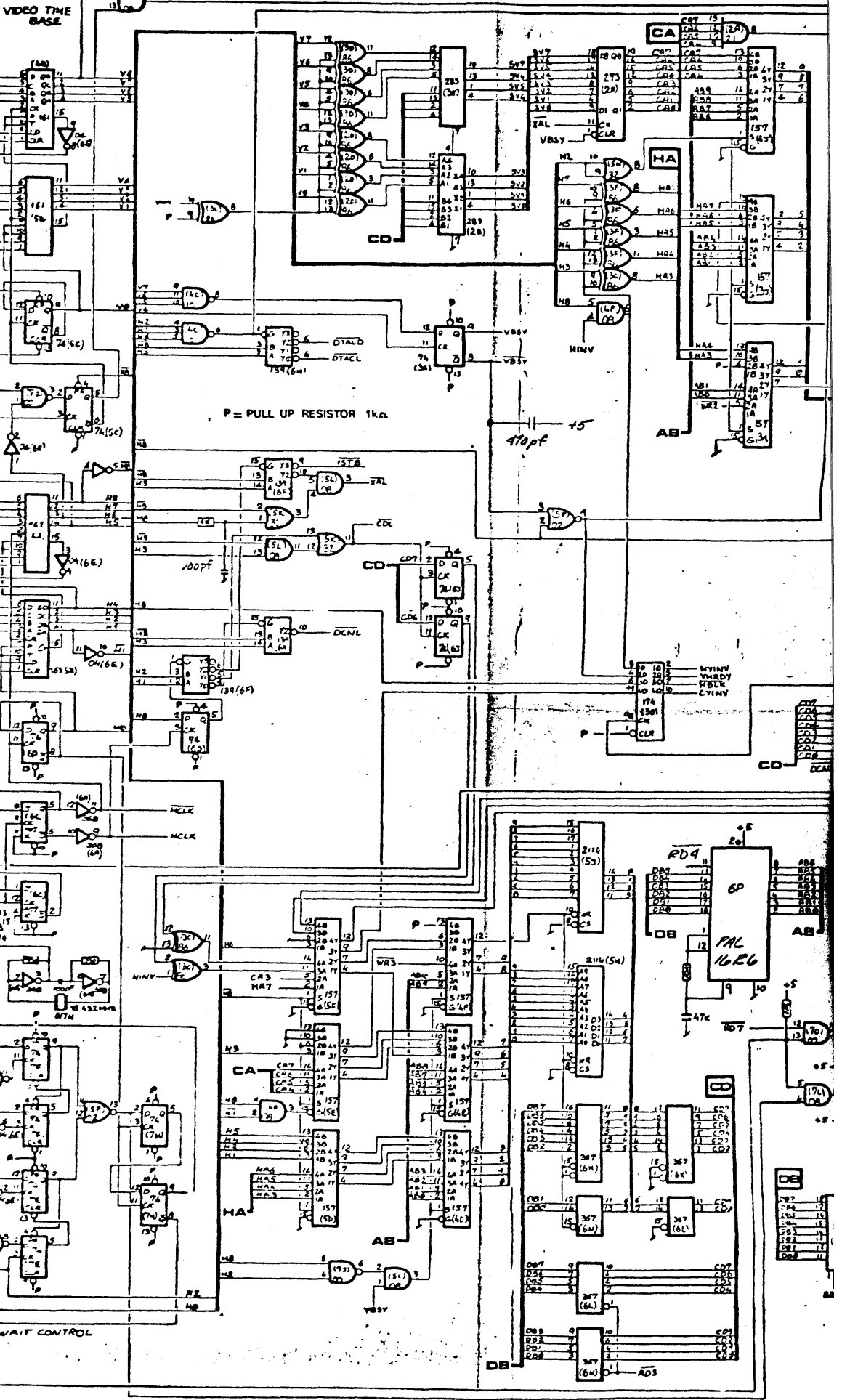


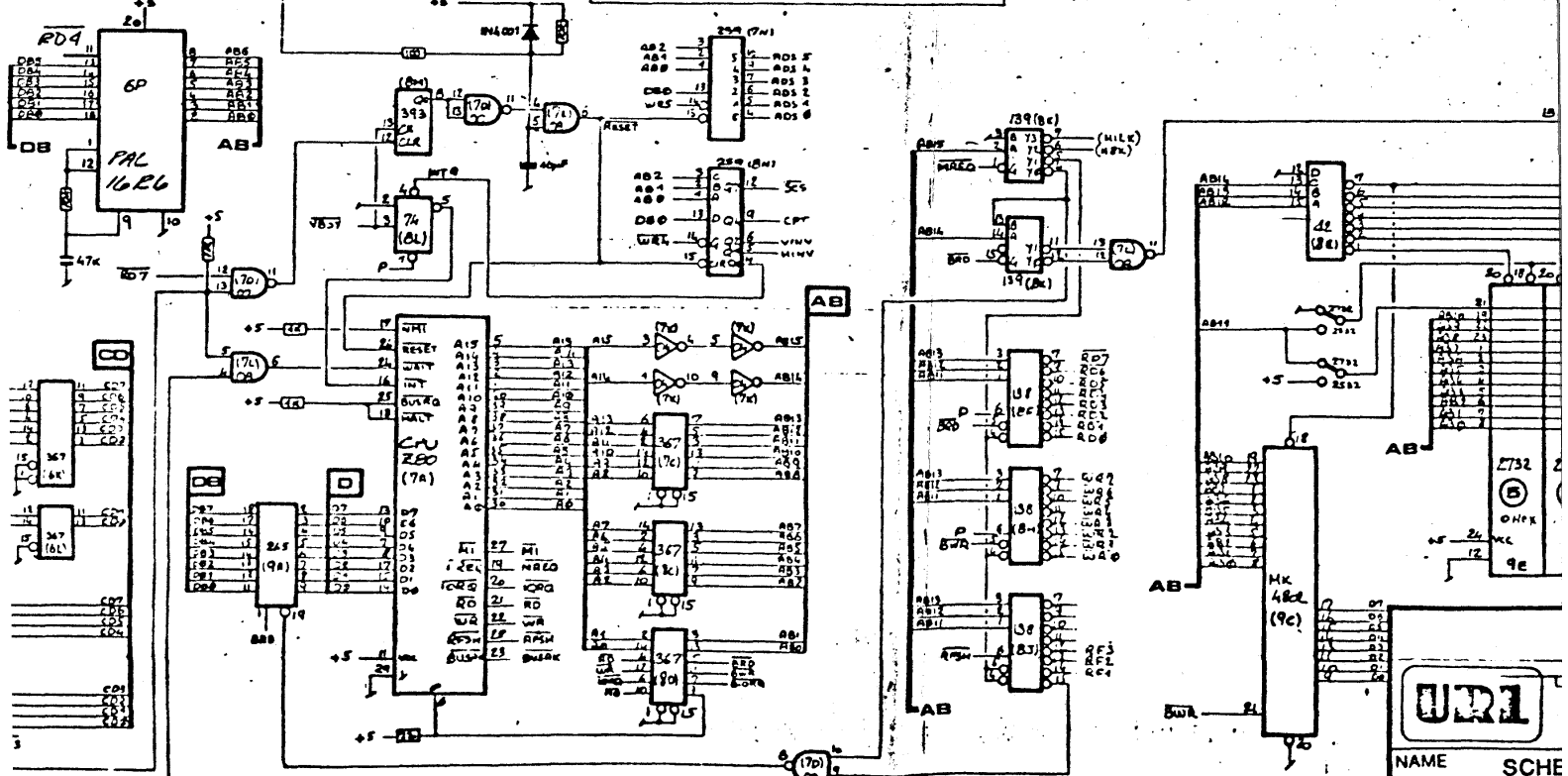
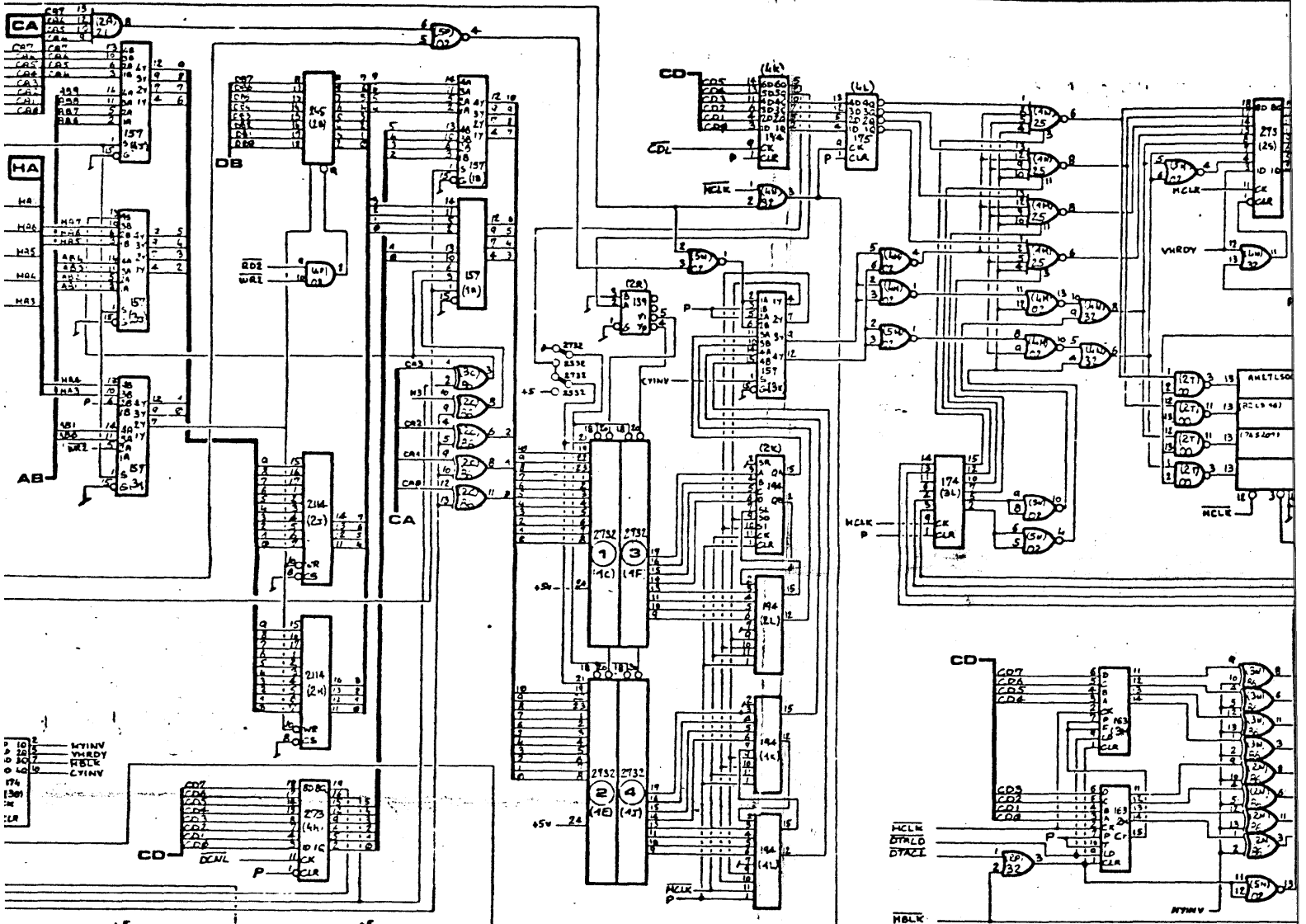
PROGRAMMATION		1	2	3	4	5	6	7	8
		A	B	C	D	E	F	G	H
2	BAGNARD	OFF	OFF						
3		ON	OFF						
4		OFF	ON						
5		ON	ON						
1	COIN 1 PLAY (A)			OFF					
2	- 1 - (B)			ON					
	DIFFICULTY	1			OFF	OFF			
		2			ON	OFF			
		3			OFF	ON			
		4			ON	ON			
	ENGLISH						OFF		
	FRENCH						ON		
	BONUS	30 000						OFF	
		40 000						ON	
	GAME IN PLAY								OFF
	GAME STOPPED								ON
	COIN 1	1	COIN 1	1	PLAY	2	COIN 1	PLAY	
	2	1	2	1	1	1	1	1	
	3	1	3	1	3	1	3	1	
	4	1	M	1	7	1	7	1	
		(A)			(B)				





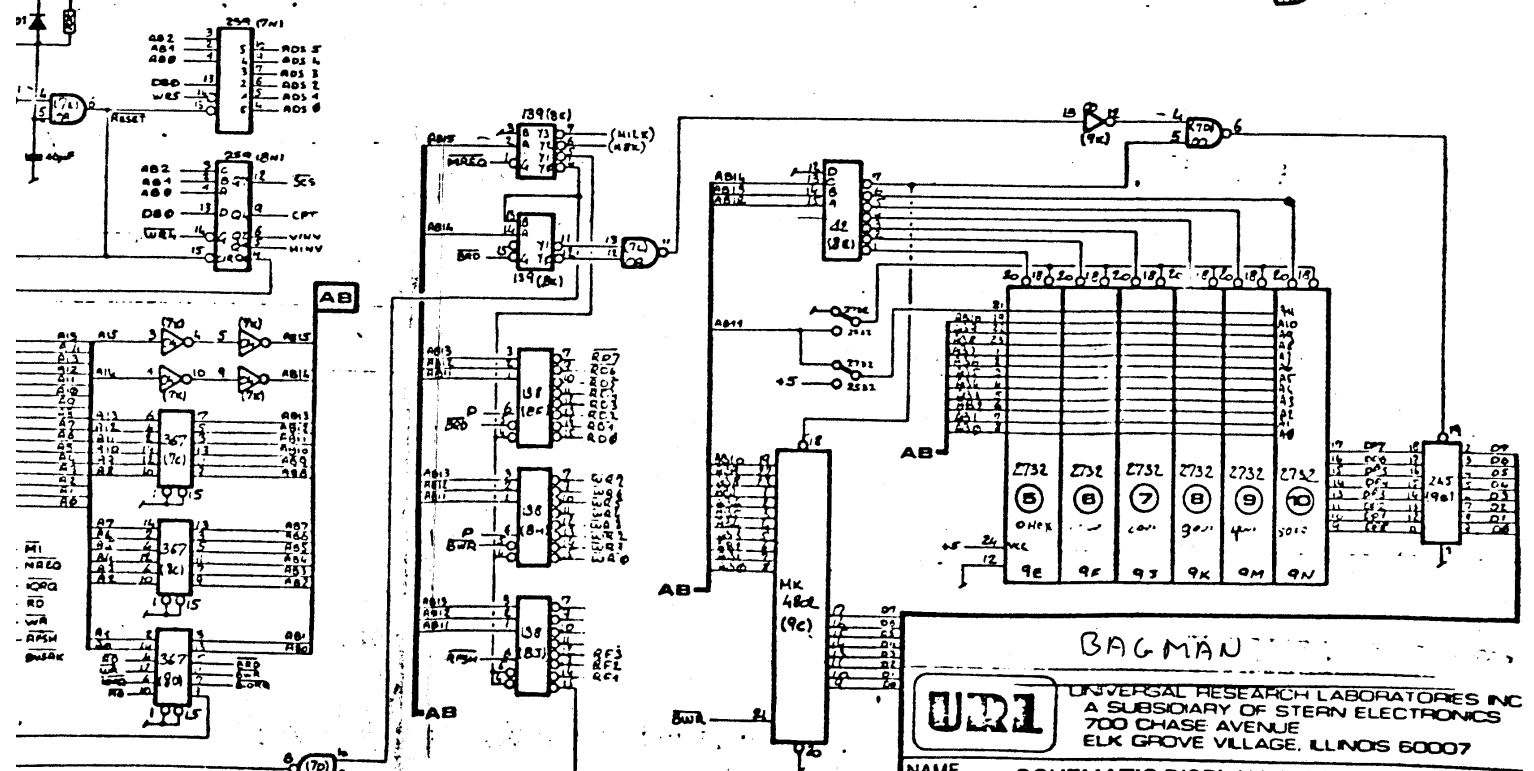
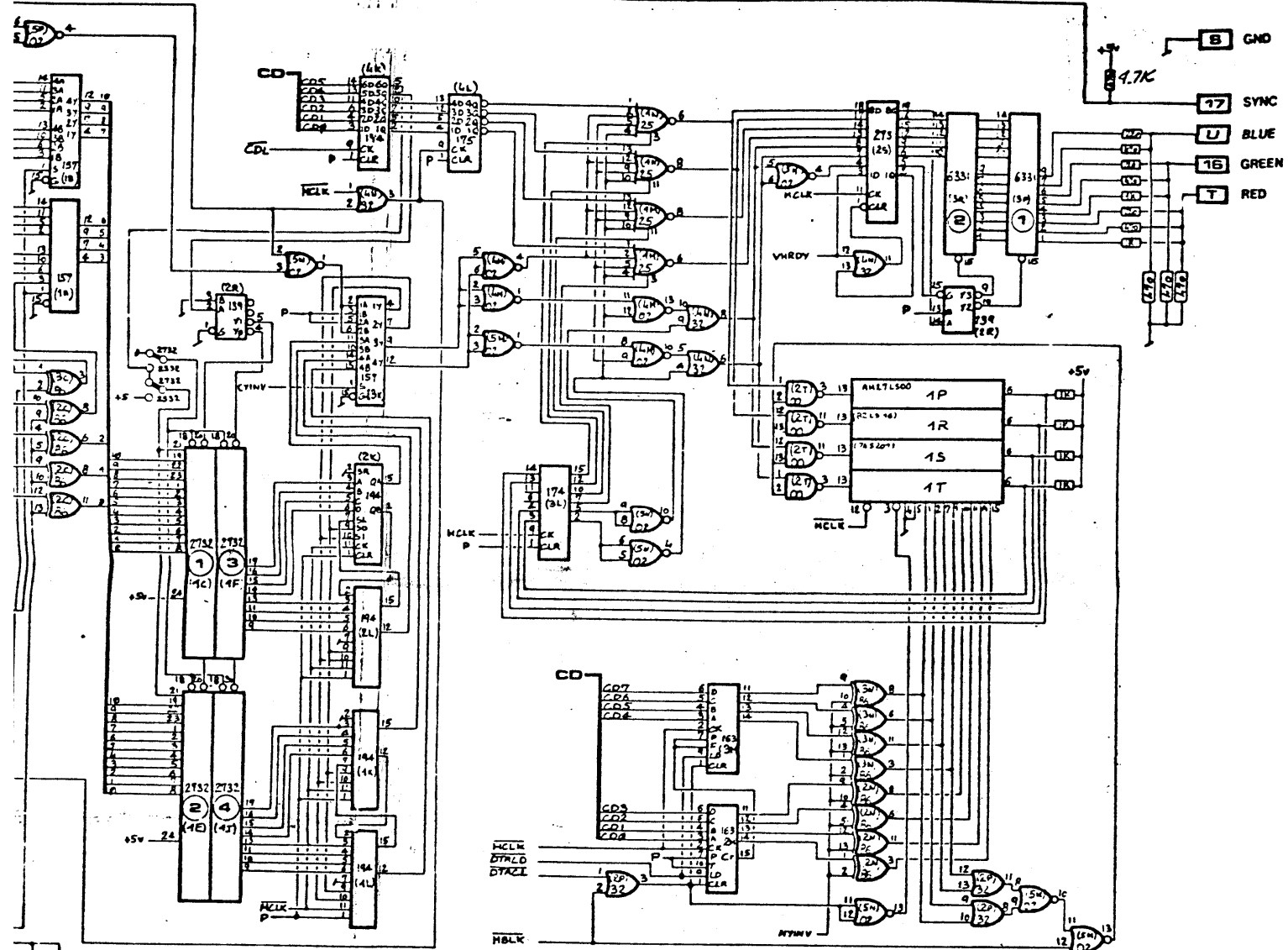
IN	1	2	3	4	5	6	7	8
	A	B	C	D	E	F	G	H
	OFF	OFF						
	ON	OFF						
	OFF	ON						
	ON	ON						
(A)			OFF	OFF				
(B)			ON					
1			OFF	OFF				
2			ON	OFF				
3			OFF	ON				
4			ON	ON				
					OFF			
					ON			
						OFF		
						ON		
COIN	1	PLAY	2	COIN	1	PLAY		
	1		1		1			
	2		2		2			
	3		3		3			
	4		4		4			
(A)								
(B)								





URI

NAME SCHE
 BOAR
 DWG PART NO.
 D
 SIZE SHEET



BAGMAN

URI UNIVERSAL RESEARCH LABORATORIES INC
 A SUBSIDIARY OF STERN ELECTRONICS
 700 CHASE AVENUE
 ELK GROVE VILLAGE, ILLINOIS 60007

NAME SCHEMATIC, DISPLAY & SOUND
 BOARD ASSEMBLY P.C. BOARD

DWG	PART NO.	34D-2465-S	REV.
D			A
SIZE	SHEET	1 OF 1	